



**INSTRUCTIONS PERTAINING TO RISK OF FIRE OR INJURY TO PERSONS. READ ALL INSTRUCTIONS. IMPORTANT SAFETY INSTRUCTIONS. SAVE THESE INSTRUCTIONS.**

**DANGER - RISK OF SHOCK - DISCONNECT POWER BEFORE INSTALLATION! Please read all instructions before installation.**

- Keep these instructions for future reference.
- Must be installed by a qualified electrician in accordance with national and local standards. Designplan is not responsible for fixtures installed without regard to these standards.
- Unauthorized alterations or tampering of product voids warranty.
- The main power connection must be in accordance with local electrical codes.
- Suitable for use in steam rooms and saunas.
- **DO NOT INSTALL INSULATION WITHIN 3.0" (76 mm) OF ANY PART OF THE LUMINAIRE.**



**IP65**

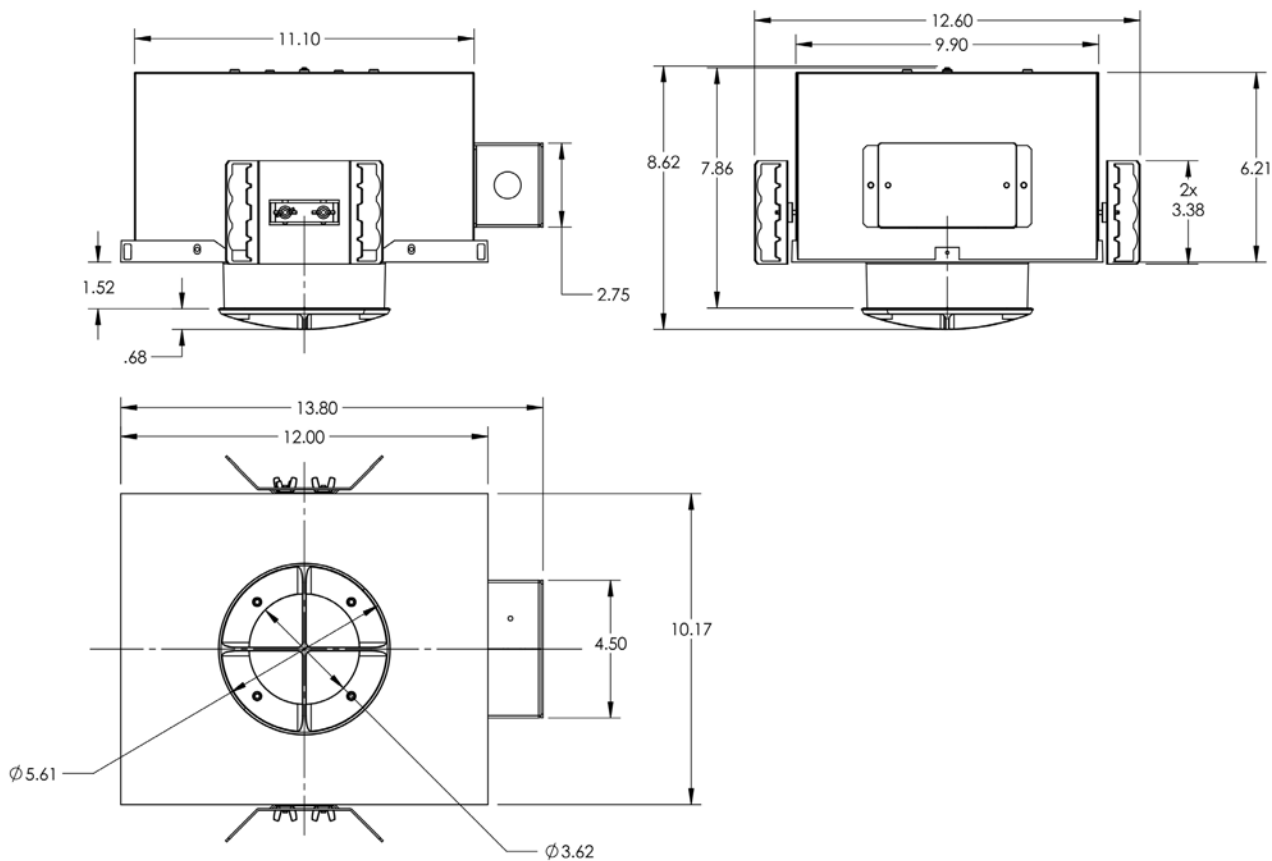
**ATTENTION: For Wall/Ceiling** - It is the contractor's responsibility to caulk around all the edges between the fixture and the mounting surface to satisfy wet label requirements.

**Maintenance**

Scheduled maintenance must be carried out once a year on all lighting devices, regardless of appliance class and type of use. It must include the following operations:

- Periodically clean fixtures to remove dirt from gratings and screw heads.
- Check tightness of screws on various parts of the device.
- Check that all cable glands and cables are intact and tight. Check that the glass or plastic lens is intact, and replace it if broken or damaged.
- The internal components such as the ballast, driver, washers and screws must not show clear signs of oxidation or rust. Clear traces of rust and oxidation will indicate the presence of water inside the device.
- In the case of damage, the components must be replaced by original components or spare parts.

## Fixture Installation



- The lighting fixture comes fully assembled.
- Remove the lens assembly. Mount fixture by utilizing the hanger bars on the sides of the body. It is the contractor's responsibility to supply proper mounting based on job condition. The fixture is suitable for a maximum 1-1/2" ceiling thickness. A 5-3/8" diameter cut out hole is required for the fixture to properly fit through the ceiling.
- Utilize the conduit entries on the sides of the J-box for wiring. CONNECT GREEN WIRE TO "GROUND", CONNECT BLACK FIXTURE TO BLACK BUILDING WIRE AND CONNECT WHITE FIXTURE WIRE TO WHITE BUILDING WIRE.
- Re-install the lens assembly. Assure proper seal between top of lens assembly and ceiling structure.

### For Installation in Steam Rooms:

- It is very important that the contractor seal the trim assembly to the sealed ceiling structure. This step must be completed every time the fixture is opened for any reason.