

# RXI DOWNLIGHT

The RXI Downlight is a vandal resistant, IP65 wet label fixture that is IC and Chicago Plenum rated. It is available in white light and with 2 optics options. **NOT** suitable for steam rooms.



MADE IN THE U.S.A.

Fixture Dimensions  
(see drawing on page 2)

## TECHNICAL DATA

<b>Wattage / Input</b>	26W (120-277VAC or 347VAC)
<b>Power Supply</b>	Integral
<b>Construction</b>	Body: 20 Ga. Cold Rolled Steel (Powder Black Finish) Neck: Die Cast Aluminum Lens: 3/16" Thick Clear or Opal Polycarbonate
<b>CCT</b>	2700K, 3000K, 3500K, 4000K
<b>CRI</b>	>80
<b>Delivered Lumens</b>	2073 lm (3000K)
<b>Efficacy</b>	79.7 lm/W
<b>Optics</b>	25°, 45°
<b>Finishes</b>	5 Standard, plus 4 Marine Grade. See Below.
<b>Fixture Dimensions</b>	Ø5.6" x 12.6" l x 8.6" h (see drawing on page 2)
<b>Fixture Weight</b>	9.2 lbs
<b>LED Source</b>	Xicato XIM LED Module
<b>Lumen Maintenance</b>	L70>50,000hrs (Ta 25°C)
<b>Color Consistency</b>	1x2 MacAdam Ellipse (1x2 SDCM)
<b>IP Rating</b>	IP65

## ORDERING INFORMATION

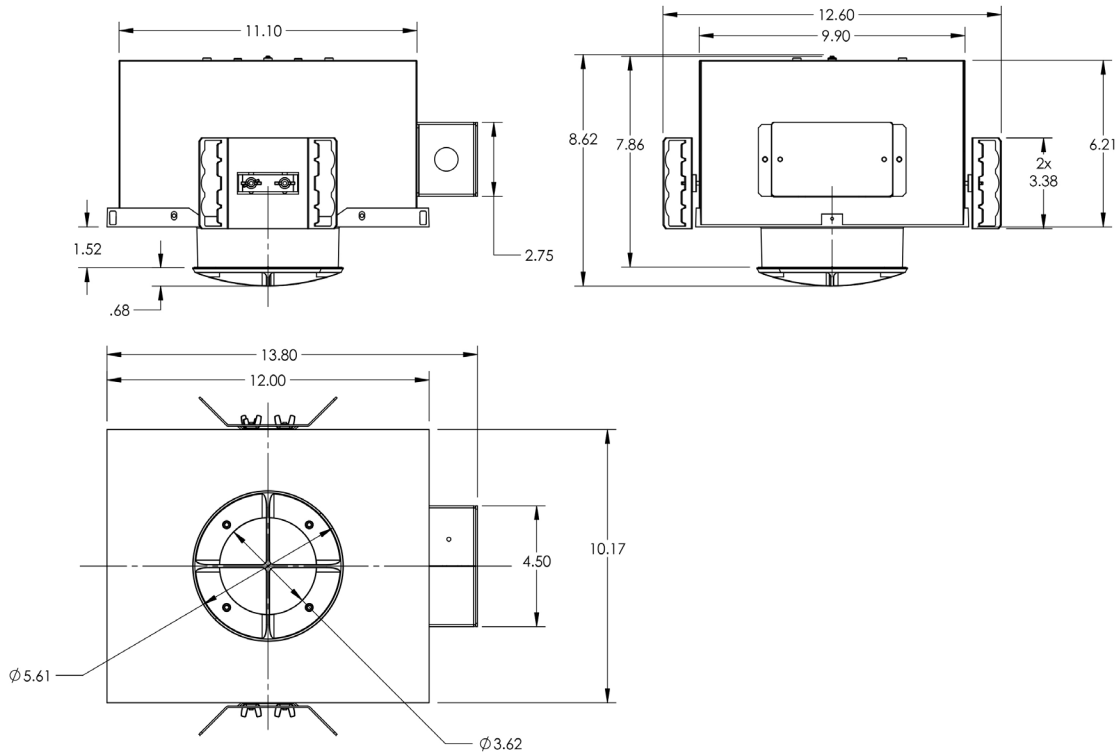
Example: RXI-L26-40-25-4-11-C-C-0.

RXI-L26	-		-		-		-		-	
Model #	CCT	Optics	Body	Finish	Lens	Driver	Options			
RXI-L26	27 - 2700K 30 - 3000K 35 - 3500K 40 - 4000K	25 - 25° 45 - 45°	4 - Fully Recessed IC Rated C - Fully Recessed Chicago Plenum V - Concrete Pour	11 - White Suede 02 - Black Suede 18 - Tex. Bronze TS - Silver <i>Add prefix "M" to above colors for Marine Grade Clear Overcoat</i>  PN - Polished Nickel <i>Marine Grade Clear Overcoat NOT available on Polished Nickel</i>	C - Clear X - Opal R - Assym Spread	C - Integral 120-277VAC 0-10V Dimming 2 - 347VAC w/ 0-10V Dimming	0 - None 4 - One Circuit Fusing 8 - Special Screws (Please specify) H - Honeycomb Louver			

Job Name/Date:

Fixture Type Designation:

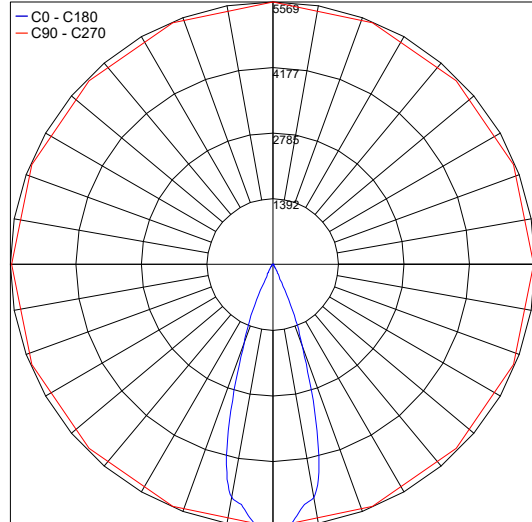
## FIXTURE DIMENSIONS



## PHOTOMETRIC DATA

Note all Photometry is 3000K

Maximum Candela = 5569



PHOTOMETRIC FILENAME : RXI 3000K 45° (LLIA001367-002A).IES

Job Name/Date:

Fixture Type Designation: