

# RXR DOWNLIGHT

The RXR Downlight is a vandal resistant, IP65 wet label downlight suitable for steam rooms that is IC and Chicago Plenum rated. It is available in white light or red light for darkrooms and with 2 optics options.



**MADE IN THE U.S.A.**

Fixture Dimensions  
(see drawing on page 2)

## TECHNICAL DATA

<b>Wattage</b>	26W (1050mA), 20W (1000mA)
<b>Power Supply</b>	Remote, not included. See page 2.
<b>Construction</b>	Body: 20 Ga. Cold Rolled Steel (Powder Black Finish) Neck: Die Cast Aluminum Lens: 3/16" Thick Clear or Opal Polycarbonate
<b>CCT</b>	2700K, 3000K, 3500K, 4000K, Red
<b>BUG Rating</b>	B3-U1-G0 (3500K, 22°)
<b>CRI</b>	>80 (>90 on request, consult factory)
<b>Delivered Lumens</b>	2342 lm (3000K)
<b>Efficacy</b>	90 lm/W
<b>Optics</b>	25°, 45°
<b>Finishes</b>	5 Standard, plus 4 Marine Grade. See Below.
<b>Fixture Dimensions</b>	Ø5.6" x 12.6" l x 8.6" h (see drawing on page 2)
<b>Fixture Weight</b>	9.2 lbs
<b>LED Source</b>	LED COB, RED 620-630 nm
<b>Lumen Maintenance</b>	L70>50,000hrs (Ta 25°C)
<b>Color Consistency</b>	1x2 MacAdam Ellipse (1x2 SDCM)
<b>IP Rating</b>	IP65
<b>Temperature Rating</b>	Tested to 60°C room ambient

## ORDERING INFORMATION

Example: RXR-L26-40-25-4-MTS-C-RMT-0. Power Supplies ordered separately.

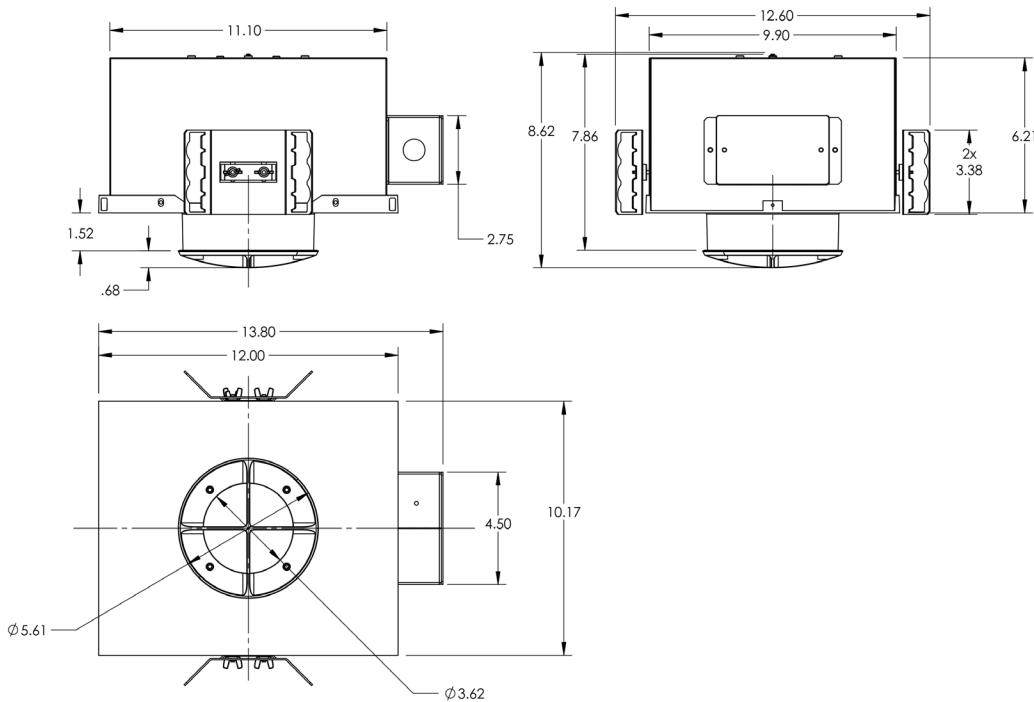
RXR-L26	-		-		-		-	RMT	-	
---------	---	--	---	--	---	--	---	-----	---	--

Model #	CCT	Optics	Body	Finish	Lens	Dimming	Options
RXR-L26	27 - 2700K	25 - 25°	4 - Fully	11 - White Suede	C - Clear	RMT - Remote Required (See page 2 for power supply options)	0 - None
	30 - 3000K	45 - 45°	Recessed	02 - Black Suede	X - Opal		4 - One Circuit Fusing
	35 - 3500K		IC Rated	18 - Tex. Bronze	R - Assym Spread		8 - Special Screws (Please specify)
	40 - 4000K		C - Fully	TS - Silver			H - Honeycomb Louver
	RD - Red		Recessed Chicago Plenum	Add prefix "M" to above colors for Marine Grade Clear Overcoat  PN - Polished Nickel  Marine Grade Clear Overcoat NOT available on Polished Nickel			

Job Name/Date:

Fixture Type Designation:

## FIXTURE DIMENSIONS



## SUGGESTED POWER SUPPLIES

1050mA

Part Number	Description	Input/Output	# of Fixtures
<a href="#">PPLT00602</a>	Phase Dim (120V only)	120-277VAC to 1050mA, 34W, Class 2	1-1
<a href="#">PPLT00216</a>	0-10V Dimming to 10%	120-277VAC to 1050mA, 40W, Class 2	1-1
<a href="#">PPLT00309-P</a>	0-10V Dimming to 0.1%	120-277VAC to 1050mA, 50W, Class 2	1-1
<a href="#">PPLT00467-P</a>	0-10V Dimming to 1.0%	120-277VAC to 1050mA, 50W, Class 2	1-1
<a href="#">PPLT00587-P</a>	0-10V Dimming to 1.0%	<b>347VAC</b> to 1050mA, 55W, Class 2 (CANADA only)	1-1

Supported Lutron Compatible

Part Number	Option	Lutron SKU	Dim Range	Description	Input/Output	# of Fixtures
<a href="#">PPLT00621</a>	L3DAE / L3DA3W	L3DA	100%-1%	Hi-Lume™ 1% EcoSystem™ or 1% 3-Wire LED Driver	120-277VAC to 1050mA, 40W, Class 2	1-1

## SUGGESTED POWER SUPPLIES

1000mA - for RED LED version

Part Number	Description	Input/Output	# of Fixtures
<a href="#">PPLT00465-P</a>	0-10V Dimming to 1.0%	120-277VAC to 1000mA, 20W, Class 2, DAMP	1-1
<a href="#">PPLT00309-P</a>	0-10V Dimming to 0.1%	120-277VAC to 1000mA, 50W, Class 2, DAMP	1-2
<a href="#">PPLT00467-P</a>	0-10V Dimming to 1.0%	120-277VAC to 1000mA, 50W, Class 2, DAMP	1-2

For other power supply options consult factory.

Job Name/Date:

Fixture Type Designation: