

RXT Downlight

The RXT is a vandal resistant, IP65 wet label downlight that is IC and Chicago Plenum rated with tunable white light as well as RGBW and 2 optic options.



MADE IN THE U.S.A.

Fixture Dimensions
(see drawing on page 2)

TECHNICAL DATA

Wattage / Input	25W
Power Supply	Integral 120-277VAC
Construction	Body: 20 Ga. Cold Rolled Steel (Powder Black Finish) Neck: Die Cast Aluminum Lens: Clear Tempered Glass
CCT	1650K - 8000K, RGBW
BUG Rating	B1-U1-G0 (22°)
CRI	>90
Delivered Lumens	770 lm
Efficacy	30.8 lm/W
Optics	25°, 45°
Finishes	5 Standard, plus 4 Marine Grade. See Below.
Fixture Dimensions	Ø5.6" x 12.6" l x 8.6" h (see drawing on page 2)
Fixture Weight	9.2 lbs
LED Source	Araya LED Module
Lumen Maintenance	L70>50,000hrs (Ta 25°C)
Color Consistency	2 Step MacAdam
IP Rating	IP65

ORDERING INFORMATION

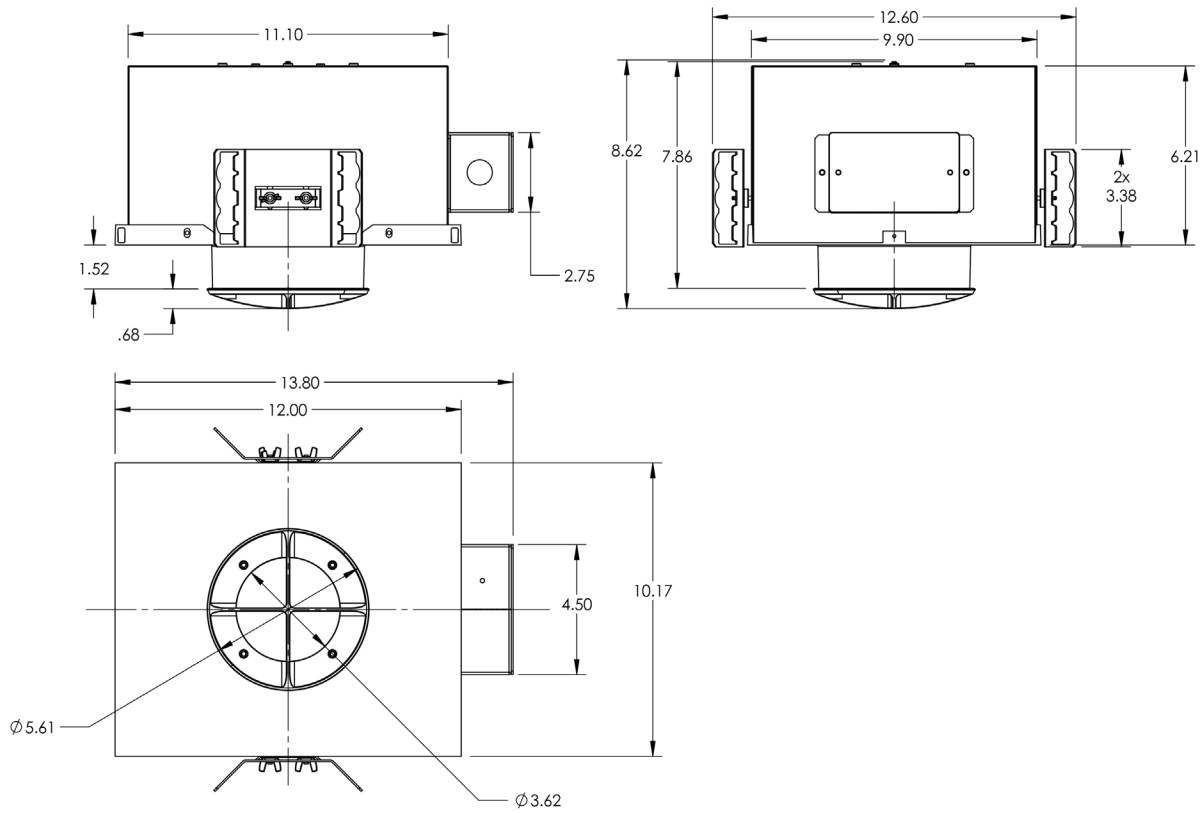
Example: **RXT-L25-RW-25-4-M04-C-ECO-4**.

RXT-L25	-	RW	-		-		-		-		-	
Model #	CCT	Optics	Body	Finish	Lens	Dimming	Options					
RXT-L25	RW - RGBW+ Tunable White (1650K-8000K)	25 - 25° 45 - 45°	4 - Fully Recessed IC Rated C - Fully Recessed Chicago Plenum V - Concrete Pour	11 - White Suede 02 - Black Suede 18 - Tex. Bronze TS - Silver <i>Add prefix "M" to above colors for Marine Grade Clear Overcoat</i> PN - Polished Nickel <i>Marine Grade Clear Overcoat NOT available on Polished Nickel</i>	C - Clear X - Opal	ECO - 120-277VAC (Lutron EcoSystem - Tunable White Only) WTS - 120-277VAC (Watt Stoppers Casambi) DAL - 120-277VAC (DALI Type 8) 010 - *120-277VAC (0-10V Control CCT + Intensity separately) DMX - 120-277VAC (DMX512-A-RDM) All luminaires come with DMX, 0-10V and Bluetooth (Commissioning Capabilities) *010 - Requires (qty. 2) 0-10V Wall Switches	0 - None 4 - One Circuit Fusing 8 - Special Screws (Please specify) H - Honeycomb Louver					

Job Name/Date:

Fixture Type Designation:

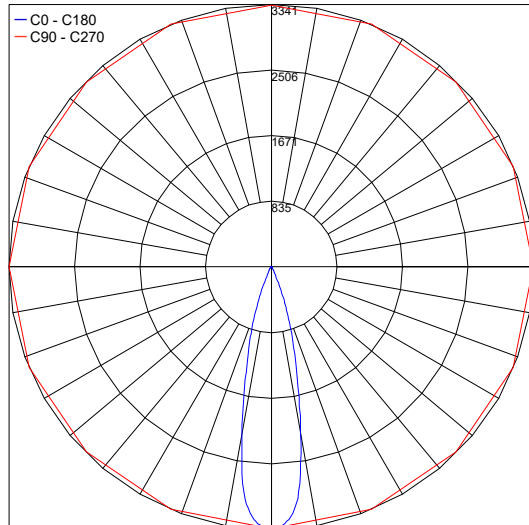
FIXTURE DIMENSIONS



PHOTOMETRIC DATA

Note all Photometry is 3000K

Maximum Candela = 3341



PHOTOMETRIC FILENAME : RXT RGBW+TUNABLE 45° (LLIA001367-001).IES

Job Name/Date:

Fixture Type Designation: