

Razor is a totally disappearing modular recessed luminaire made of AirCoral® that is suitable for installation on walls or ceilings, highlighting paths and defining spaces. It creates a blade of light 1.77" wide and is available in 3000K as standard with a 14° optic and a 90° light beam inclination.



Fixture Dimensions
See *Drawing on page 2*

See *Accessories on page 3*

TECHNICAL DATA

Wattage / Input	2W (500mA)
Power Supply	Remote, not included. See page 2.
Construction	Body: AirCoral®
CCT	3000K (2700K, 4000K on request)
CRI	>90
Delivered Lumens	75 lm (3000K)
Efficacy	37.5 lm/W
Optics	14°
Finishes	AirCoral®
LED Source	Professional COB LED
Fixture Dimensions	BU6968.AC - 16.06" l x 4.13" w BU6967.AC - 40.94" l x 4.13" w
Cut-out Dimension	BU6968.AC - 16.34" l x 4.53" w BU6967.AC - 41.34" l x 4.53" w
Fixture Weight	BU6968.AC - 6.17 lbs BU6967.AC - 13.67 lbs
IP Rating	IP40

This product could be ordered with
IP44 / IP65 protection grade
(see *OUTDOOR* or *BATHROOM* section)

ORDERING INFORMATION

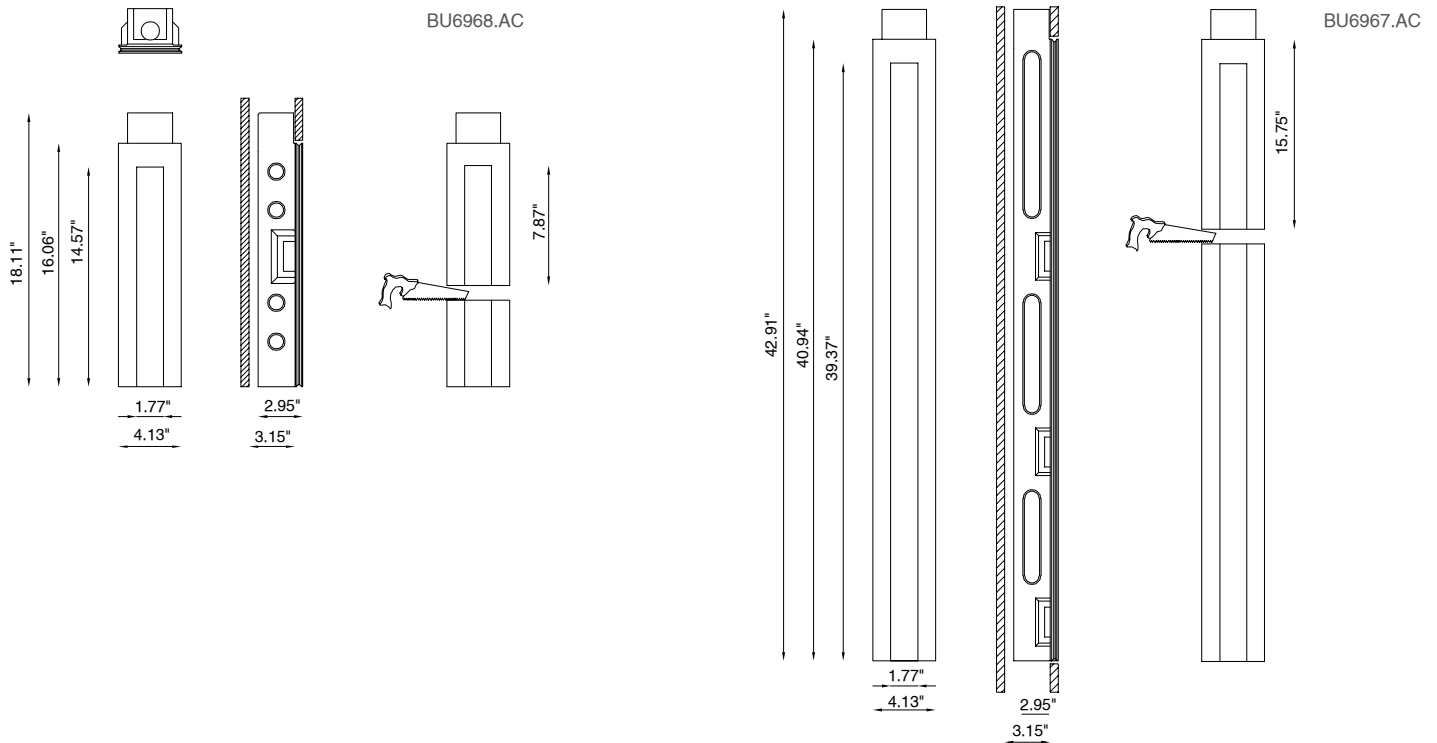
Example: BU6967.30.AC.US. Power Supplies and Accessories ordered separately.

		AC	US
Model No.	CCT	Finish	
BU6968 - 16.06" length BU6967 - 40.94" length	27 - 2700K 30 - 3000K 40 - 4000K	AC - AirCoral®	US

Job Name/Date:

Fixture Type Designation:

FIXTURE DIMENSIONS

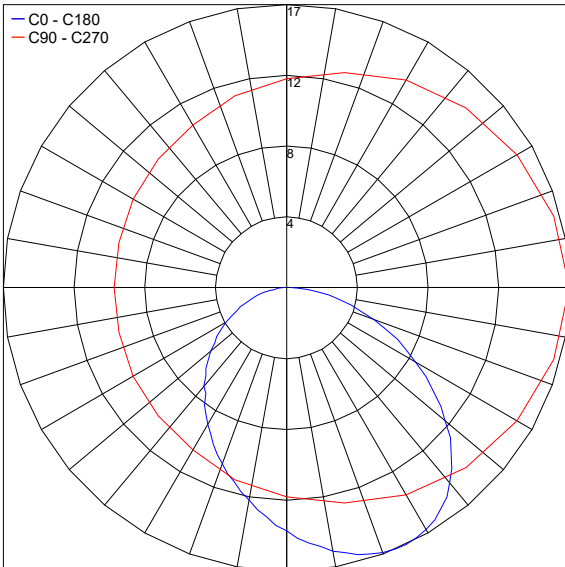


PHOTOMETRIC DATA

Note all Photometry is 3000K

Maximum Candela = 16.5

- C0 - C180
- C90 - C270



Job Name/Date:

Fixture Type Designation:

SUGGESTED POWER SUPPLIES

500mA

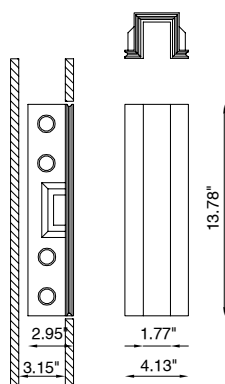
Part Number	Description	Input/Output	# of Fixtures
PPLT00187	0-10V Dimming to 10%	120-277VAC to 500mA, 10W, Class 2	4-4
PPLT00469	Phase Dim (120V only)	120VAC to 500mA, 14W, Class 2	4-6
PPLT00465-P	0-10V Dimming to 1.0%	120-277VAC to 500mA, 20W, Class 2	1-10
PPLT00262	Leading / Trailing-Edge Dimming to 10% (120V only)	120-277VAC to 500mA, 32W, Class 2	8-11
PPLT00467-P	0-10V Dimming to 1.0%	120-277VAC to 500mA, 50W, Class 2	1-13
PPLT00538-P	0-10V Dimming to 0.1%	120-277VAC to 500mA, 100W, Class 2	1-48

Suggested Lutron Compatible

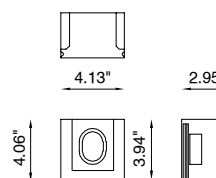
Part Number	Option	Lutron SKU	Dim Range	Description	Input/Output	# of Fixtures
PPLT00259	L3DAE / L3DA3W	L3DA	100%-1%	Hi-Lume™ 1% EcoSystem™ or 1% 3-Wire LED Driver	120-277VAC to 500mA, 10W, Class 2	4-4
PPLT00195	L3DAE / L3DA3W	L3DA	100%-1%	Hi-Lume™ 1% EcoSystem™ or 1% 3-Wire LED Driver	120-277VAC to 500mA, 19W, Class 2	6-9
PPLT00180	L3DAE / L3DA3W	L3DA	100%-1%	Hi-Lume™ 1% EcoSystem™ or 1% 3-Wire LED Driver	120-277VAC to 500mA, 27W, Class 2	12-13

For other power supply options consult factory.

ACCESSORIES Installation



BU6961.AC.US
 Modular Body
 13.78" for each module
 installed x 4.53"
 (cut out dimensions)



BU6962.AC.US
 Closure Headparts
 4.53" x 4.53" (cut out dimensions)

Job Name/Date:

Fixture Type Designation: