

Razor IP44 is a totally disappearing modular recessed luminaire made of Coral WaterOut® that is suitable for use in bathrooms and outdoor installation on walls or ceilings. It is available in 3000K as standard with a 14° optic and creates a blade of light 1.77" wide.



Fixture Dimensions  
See *Drawing on page 2*

See *Accessories on page 3*

## TECHNICAL DATA

<b>Wattage / Input</b>	2W (500mA)
<b>Power Supply</b>	Remote, not included. See page 2.
<b>Construction</b>	Body: Coral WaterOut®
<b>CCT</b>	3000K (2700K, 4000K on request)
<b>CRI</b>	>90
<b>Delivered Lumens</b>	75 lm (3000K)
<b>Efficacy</b>	37.5 lm/W
<b>Optics</b>	14°
<b>Finishes</b>	Coral WaterOut®
<b>LED Source</b>	Professional COB LED
<b>Fixture Dimensions</b>	BU6965.CW - 16.06" l x 4.13" w BU6966.CW - 40.94" l x 4.13" w
<b>Cut-out Dimension</b>	BU6965.CW - 16.34" l x 4.53" w BU6966.CW - 41.34" l x 4.53" w
<b>Fixture Weight</b>	BU6965.CW - 6.17 lbs BU6966.CW - 13.67 lbs
<b>IP Rating</b>	IP44

## ORDERING INFORMATION

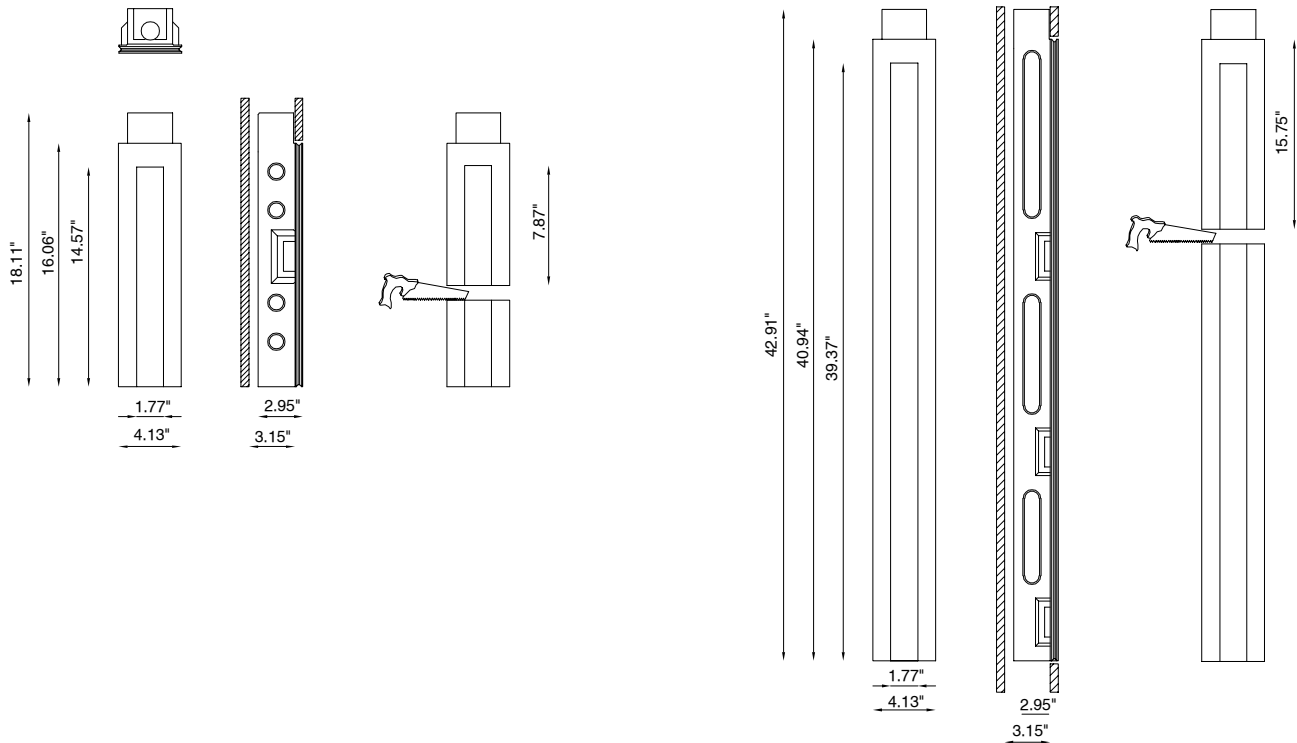
*Example: BU6965.CW.US. Power Supplies and Accessories ordered separately.*

	<b>CW</b>	<b>US</b>
<b>Model No.</b>	<b>Optics</b>	
<b>BU6965</b> - 16.06" length	<b>CW</b> - CoralWaterOut®	<b>US</b>
<b>BU6966</b> - 40.94" length		

Job Name/Date:

Fixture Type Designation:

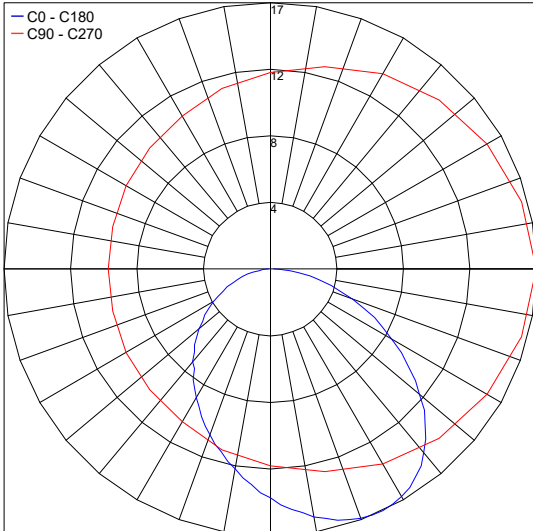
## FIXTURE DIMENSIONS



## PHOTOMETRIC DATA

Note all Photometry is 3000K

Maximum Candela = 16.5



Job Name/Date:

Fixture Type Designation:

## SUGGESTED POWER SUPPLIES

500mA

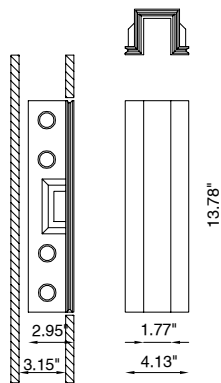
Part Number	Description	Input/Output	# of Fixtures
<a href="#">PPLT00187</a>	0-10V Dimming to 10%	120-277VAC to 500mA, 10W, Class 2	4-4
<a href="#">PPLT00469</a>	Phase Dim (120V only)	120VAC to 500mA, 14W, Class 2	4-6
<a href="#">PPLT00465-P</a>	0-10V Dimming to 1.0%	120-277VAC to 500mA, 20W, Class 2	1-10
<a href="#">PPLT00262</a>	Leading / Trailing-Edge Dimming to 10% (120V only)	120-277VAC to 500mA, 32W, Class 2	8-11
<a href="#">PPLT00467-P</a>	0-10V Dimming to 1.0%	120-277VAC to 500mA, 50W, Class 2	1-13
<a href="#">PPLT00538-P</a>	0-10V Dimming to 0.1%	120-277VAC to 500mA, 100W, Class 2	1-48

## Suggested Lutron Compatible

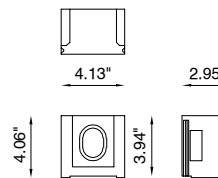
Part Number	Option	Lutron SKU	Dim Range	Description	Input/Output	# of Fixtures
<a href="#">PPLT00259</a>	L3DAE / L3DA3W	L3DA	100%-1%	Hi-Lume™ 1% EcoSystem™ or 1% 3-Wire LED Driver	120-277VAC to 500mA, 10W, Class 2	4-4
<a href="#">PPLT00195</a>	L3DAE / L3DA3W	L3DA	100%-1%	Hi-Lume™ 1% EcoSystem™ or 1% 3-Wire LED Driver	120-277VAC to 500mA, 19W, Class 2	6-9
<a href="#">PPLT00180</a>	L3DAE / L3DA3W	L3DA	100%-1%	Hi-Lume™ 1% EcoSystem™ or 1% 3-Wire LED Driver	120-277VAC to 500mA, 27W, Class 2	12-13

For other power supply options consult factory.

## ACCESSORIES Installation



**BU6964.CW.US**  
Modular Body  
13.78" for each module  
installed x 4.53"  
(cut out dimensions)



**BU6963.CW.US**  
Closure Headparts  
4.53" x 4.53" (cut out dimensions)

Job Name/Date:

Fixture Type Designation: