

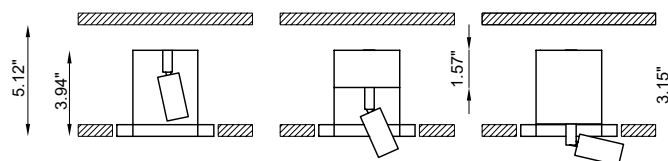
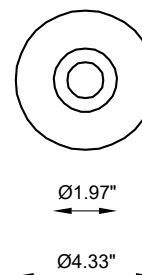
Rhino is a adjustable recessed downlight made of Coral® with an extractable rearward spotlight. It is suitable for indoor installation on ceilings or walls. It is available in 3000K as standard with a 22° optic. When the projector is not recessed it is 360° adjustable on the horizontal line and 90° on the vertical one. (see drawing)



TECHNICAL DATA

Wattage / Input	6W (500mA)
Power Supply	Remote, not included. See page 2.
Construction	Body: Coral®
CCT	3000K (2700K, 4000K on request)
CRI	>90
Delivered Lumens	780 lm (3000K)
Efficacy	130 lm/W
Optics	22°
Spotlight Finishes	Black, White
LED Source	COB Professional LED
Fixture Dimensions	Ø4.33" x 3.94" h
Cut-out Dimension	Ø4.72"
Aperature	Ø1.97"
Fixture Weight	1.76 lbs
IP Rating	IP40

Cut-out for Plasterboard: Ø4.72"
Fixture Dimensions



The body is made of Coral® a unique patented composite material made from natural minerals and aggregating elements.

Additionally, Coral® is:

- Extreme resistance to high temperatures and thermal shock.
- Highly impervious to knocks and scratches.
- Can easily be decorated with any type of paint (water or spirit based).
- Made of non-toxic materials and is non-allergic.
- Does not produce fumes, even in case of fire.
- Naturally dust repellent.

ORDERING INFORMATION

Example: BU1841.00.US. Accessories / Power Supplies ordered separately.

BU1841	.		.	00	.	US
Model No.		CCT		Finish		
BU1841 - black spotlight		27 - 2700K		00 - Coral®		US
BUxxxx - white spotlight		30 - 3000K				
		40 - 4000K				

Job Name/Date:

Fixture Type Designation:

SUGGESTED POWER SUPPLIES

500mA

Part Number	Description	Input/Output	# of Fixtures
PPLT00187	0-10V Dimming to 10%	120-277VAC to 500mA, 10W, Class 2	1-1
PPLT00469	Phase Dim (120V only)	120VAC to 500mA, 14W, Class 2	1-2
PPLT00465-P	0-10V Dimming to 1.0%	120-277VAC to 500mA, 20W, Class 2	1-3
PPLT00262	Leading / Trailing-Edge Dimming to 10% (120V only)	120-277VAC to 500mA, 32W, Class 2	2-3
PPLT00467-P	0-10V Dimming to 1.0%	120-277VAC to 500mA, 50W, Class 2	1-4
PPLT00538-P	0-10V Dimming to 0.1%	120-277VAC to 500mA, 100W, Class 2	1-16

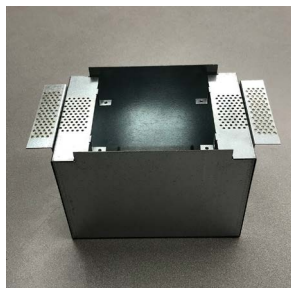
Suggested Lutron Compatible

Part Number	Option	Lutron SKU	Dim Range	Description	Input/Output	# of Fixtures
PPLT00259	L3DAE / L3DA3W	L3DA	100%-1%	Hi-Lume™ 1% EcoSystem™ or 1% 3-Wire LED Driver	120-277VAC to 500mA, 10W, Class 2	1-1
PPLT00195	L3DAE / L3DA3W	L3DA	100%-1%	Hi-Lume™ 1% EcoSystem™ or 1% 3-Wire LED Driver	120-277VAC to 500mA, 19W, Class 2	2-3
PPLT00180	L3DAE / L3DA3W	L3DA	100%-1%	Hi-Lume™ 1% EcoSystem™ or 1% 3-Wire LED Driver	120-277VAC to 500mA, 27W, Class 2	3-4

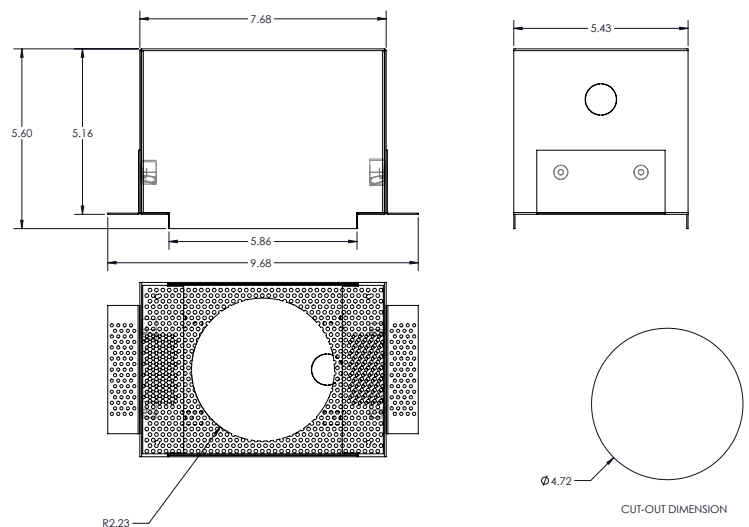
For other power supply options consult factory.

ACCESSORIES

Installation



- BR1841-LT**
IC Rated Back Box
- BR1841-LT-C**
Chicago Plenum Back Box
- BR1841-LT-PC**
Concrete Pour Back Box



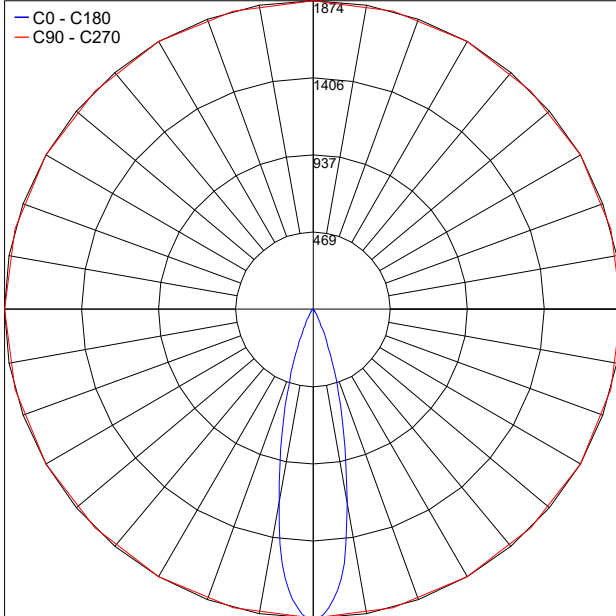
Job Name/Date:

Fixture Type Designation:

PHOTOMETRIC DATA

Note all Photometry is 3000K

Maximum Candela = 1874



Job Name/Date:

Fixture Type Designation: