

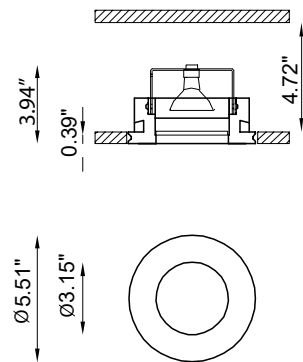
Rim is a round recessed downlight made of Coral® suitable for indoor installation on ceilings where it becomes an integral part of the surface. It is available in 3000K as standard with a 40° optic and a 90° light beam inclination.



TECHNICAL DATA

Wattage / Input	10W (500mA)
Power Supply	Remote, not included. See page 2.
Construction	Body: Coral® Lens: 0.39" Rearward Frosted Glass
CCT	3000K (2700K, 4000K on request)
CRI	>90
Delivered Lumens	1050 lm (3000K)
Efficacy	105 lm/W
Optics	40°
Finishes	Coral®
Fixture Dimensions	Ø5.51" x 3.94" h
Cut-out Dimension	Ø5.91"
Aperature	Ø3.15"
Fixture Weight	1.76 lbs
IP Rating	IP40

Fixture Dimensions



The body is made of Coral® a unique patented composite material made from natural minerals and aggregating elements.

Additionally, Coral® is:

- Extreme resistance to high temperatures and thermal shock.
- Highly impervious to knocks and scratches.
- Can easily be decorated with any type of paint (water or spirit based).
- Made of non-toxic materials and is non-allergic.
- Does not produce fumes, even in case of fire.
- Naturally dust repellent.

ORDERING INFORMATION

Example: BU4433.Z.00.US. Accessories / Power Supplies ordered separately.

BU4433.Z	00	US
Model No.	Finish	
BU4433.Z	00 - Coral®	US

Job Name/Date:

Fixture Type Designation:

SUGGESTED POWER SUPPLIES

500mA

Part Number	Description	Input/Output	# of Fixtures
PPLT00469	Phase Dim (120V only)	120VAC to 500mA, 14W, Class 2	1-1
PPLT00465-P	0-10V Dimming to 1.0%	120-277VAC to 500mA, 20W, Class 2	1-2
PPLT00262	Leading / Trailing-Edge Dimming to 10% (120V only)	120-277VAC to 500mA, 32W, Class 2	2-2
PPLT00467-P	0-10V Dimming to 1.0%	120-277VAC to 500mA, 50W, Class 2	1-2
PPLT00538-P	0-10V Dimming to 0.1%	120-277VAC to 500mA, 100W, Class 2	1-8

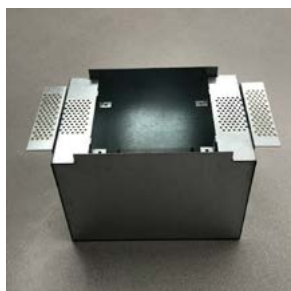
Suggested Lutron Compatible

Part Number	Option	Lutron SKU	Dim Range	Description	Input/Output	# of Fixtures
PPLT00259	L3DAE / L3DA3W	L3DA	100%-1%	Hi-Lume™ 1% EcoSystem™ or 1% 3-Wire LED Driver	120-277VAC to 500mA, 10W, Class 2	1-1
PPLT00195	L3DAE / L3DA3W	L3DA	100%-1%	Hi-Lume™ 1% EcoSystem™ or 1% 3-Wire LED Driver	120-277VAC to 500mA, 19W, Class 2	1-1
PPLT00180	L3DAE / L3DA3W	L3DA	100%-1%	Hi-Lume™ 1% EcoSystem™ or 1% 3-Wire LED Driver	120-277VAC to 500mA, 27W, Class 2	2-2

For other power supply options consult factory.

ACCESSORIES

Installation



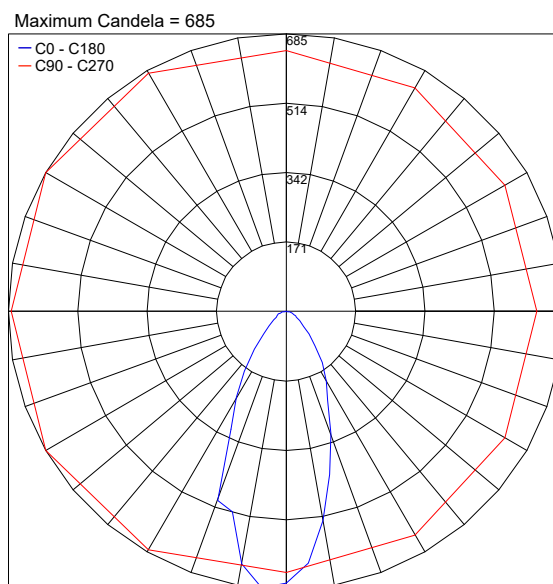
BR4433-LT
IC Rated Back Box

BR4433-LT-C
Chicago Plenum Back Box

BR4433-LT-PC
Concrete Pour Back Box

PHOTOMETRIC DATA

Note all Photometry is 3000K



Job Name/Date:

Fixture Type Designation: