

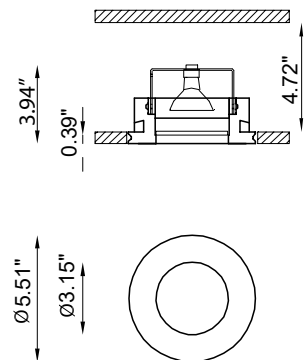
Rim is a round recessed downlight made of Coral® suitable for indoor installation on ceilings where it becomes an integral part of the surface. It is available in 3000K as standard with a 40° optic and a 90° light beam inclination. JA8-2016 Certified and can be used in IC, Chicago Plenum, or concrete pour ceilings.



## TECHNICAL DATA

<b>Wattage / Input</b>	10W (500mA)
<b>Power Supply</b>	Remote, not included. See page 2.
<b>Construction</b>	Body: Coral® Lens: 0.39" Rearward Frosted Glass
<b>CCT</b>	3000K (2700K, 4000K on request)
<b>CRI</b>	>90
<b>Delivered Lumens</b>	1050 lm (3000K)
<b>Efficacy</b>	105 lm/W
<b>Optics</b>	40°
<b>Finishes</b>	Coral®
<b>Fixture Dimensions</b>	Ø5.51" x 3.94" h
<b>Cut-out Dimension</b>	Ø5.91"
<b>Aperature</b>	Ø3.15"
<b>Fixture Weight</b>	1.76 lbs
<b>IP Rating</b>	IP40

Fixture Dimensions



The body is made of Coral® a unique patented composite material made from natural minerals and aggregating elements.

Additionally, Coral® is:

- Extreme resistance to high temperatures and thermal shock.
- Highly impervious to knocks and scratches.
- Can easily be decorated with any type of paint (water or spirit based).
- Made of non-toxic materials and is non-allergic.
- Does not produce fumes, even in case of fire.
- Naturally dust repellent.

## ORDERING INFORMATION

Example: BU4433.Z.00.US. Accessories / Power Supplies ordered separately.

BU4433.Z	00	US
<b>Model No.</b>	<b>Finish</b>	
BU4433.Z	00 - Coral®	US

Job Name/Date:

Fixture Type Designation:

## SUGGESTED POWER SUPPLIES

500mA

Part Number	Description	Input/Output	# of Fixtures
<a href="#">PPLT00469</a>	Phase Dim (120V only)	120VAC to 500mA, 14W, Class 2	1-1
<a href="#">PPLT00465-P</a>	0-10V Dimming to 1.0%	120-277VAC to 500mA, 20W, Class 2	1-2
<a href="#">PPLT00262</a>	Leading / Trailing-Edge Dimming to 10% (120V only)	120-277VAC to 500mA, 32W, Class 2	2-2
<a href="#">PPLT00467-P</a>	0-10V Dimming to 1.0%	120-277VAC to 500mA, 50W, Class 2	1-2
<a href="#">PPLT00538-P</a>	0-10V Dimming to 0.1%	120-277VAC to 500mA, 100W, Class 2	1-8

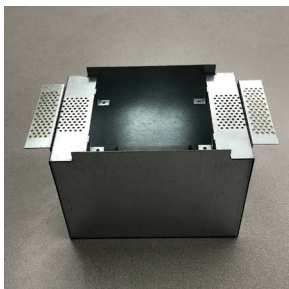
## Suggested Lutron Compatible

Part Number	Option	Lutron SKU	Dim Range	Description	Input/Output	# of Fixtures
<a href="#">PPLT00259</a>	L3DAE / L3DA3W	L3DA	100%-1%	Hi-Lume™ 1% EcoSystem™ or 1% 3-Wire LED Driver	120-277VAC to 500mA, 10W, Class 2	1-1
<a href="#">PPLT00195</a>	L3DAE / L3DA3W	L3DA	100%-1%	Hi-Lume™ 1% EcoSystem™ or 1% 3-Wire LED Driver	120-277VAC to 500mA, 19W, Class 2	1-1
<a href="#">PPLT00180</a>	L3DAE / L3DA3W	L3DA	100%-1%	Hi-Lume™ 1% EcoSystem™ or 1% 3-Wire LED Driver	120-277VAC to 500mA, 27W, Class 2	2-2

For other power supply options consult factory.

## ACCESSORIES

### Installation



#### BR4433-LT

IC Rated / JA8 Rated  
Back Box

#### BR4433-LT-C

Chicago Plenum Back Box

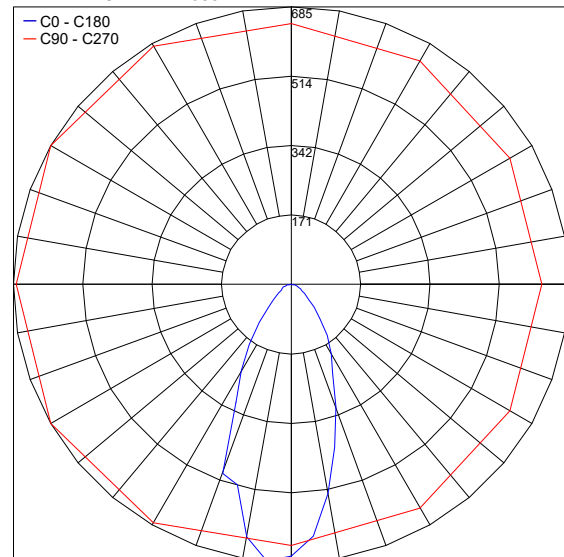
#### BR4433-LT-PC

Concrete Pour Back Box

## PHOTOMETRIC DATA

Note all Photometry is 3000K

Maximum Candela = 685



Job Name/Date:

Fixture Type Designation: