

RING MEGA COB

The Ring Mega COB is an outdoor LED floodlight, and largest of the Ring series, suitable for installation on a façade/wall, with 355° swivel base and horizontal adjustment of +90° / -40°. It has 3 standard finishes and 3 optics options.

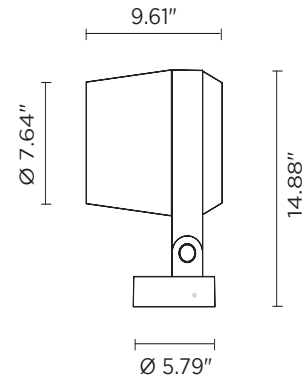


Base Plate Included with Fixture

TECHNICAL DATA

Wattage / Input	75W (1050mA)
Power Supply	Remote, not included. See page 2
Construction	Body: Die-Cast Copper-Free Aluminum Screws: Stainless Steel Lens: Tempered, Safety Glass Cable Length: 3.28" included
CCT	3000K, 4000K
CRI	>80
Lumen Output	10,100 lm (3000K, 20°)
Efficacy	123.2 lm/W (3000K, 20°)
Optics	20°, 40°
Finishes	3 Standard, Custom RAL (see below)
Fixture Dimensions	Ø7.64" x 9.61" w x 14.88" h
Fixture Weight	17.6 lbs
LED Source	1 x CREE "CXB 3590" LED
IP Rating	IP66
Impact Rating	IK10

Fixture Dimensions



ORDERING INFORMATION

Example: 101407P-30K-20-TG. Power supply / Accessories ordered separately.

101407P	-		-		-	
Model No.	CCT	Optics	Finish			
101407P	30K - 3000K 40K - 4000K	20 - 20° 40 - 40°	TG - Textured Grey (RAL 9006) AG - Anthracite Grey (RAL 7016) MB - Matte Black (on request)			

Job Name/Date:

Fixture Type Designation:

SUGGESTED POWER SUPPLIES

1050mA

Part Number	Description	Input/Output	# of Fixtures
PPLT00679	0-10V Dimming (to 10%)	120-277VAC to 1050mA, 100W, Class 2	1-1

ACCESSORIES

Installation

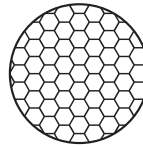
Anti-Glare



AC103
Spike



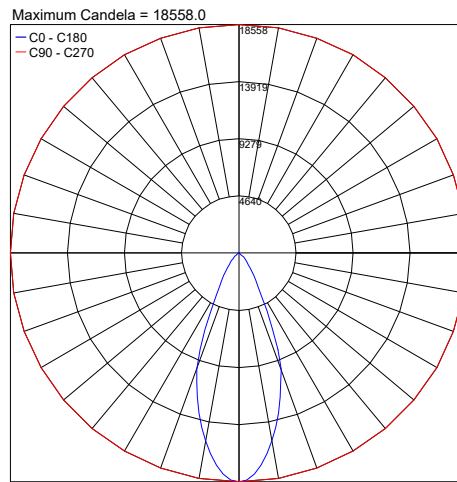
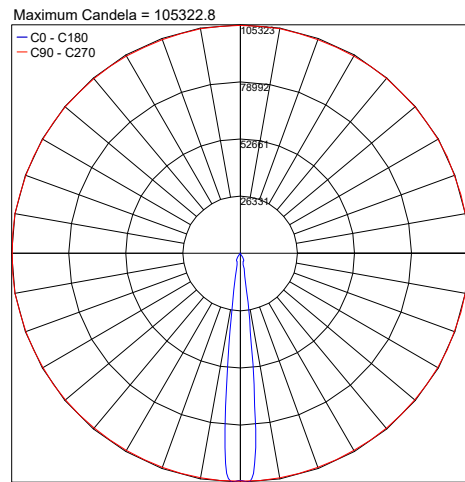
AC086
Anti-Glare Visor



AC087
Honeycomb Louver

PHOTOMETRIC DATA

Note: all photometry is 3000K



Job Name/Date:

Fixture Type Designation: