

RONDÒ 1.2

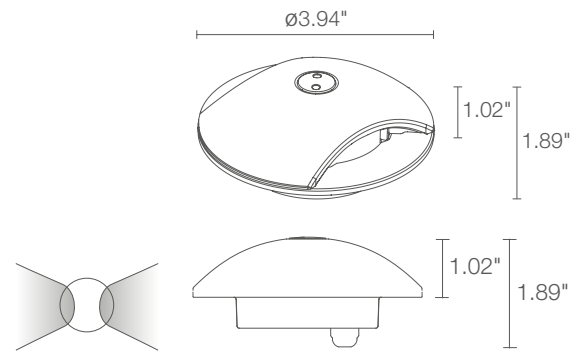
Rondò are a line of recessed uplights for outdoor use with a driveover rating of up to 11,000 lbs. It is available in a single or double beam with 10° or radial optics.



TECHNICAL DATA

Wattage / Input	4W (24VDC)
Power Supply	Remote, not included. See page 2.
Construction	Body: AISI 316L Stainless Steel Lens: Rilsan® Clear Cable Length: 4.92' standard
CCT	2700K, 3000K, 4000K
CRI	>80
Delivered Lumens	65 lm per beam (3000K, radial optics)
Efficacy	32.5 lm/W per beam (3000K, radial optics)
Optics	Radial, 10°
Finishes	3 Standard, Custom RAL (see below)
Fixture Dimensions	Ø3.94" x 1.89"
Fixture Weight	1.32 lbs
LED Source	2 Power LEDs
Lumen Maintenance	L95, B10 >50,000hrs (Ta 25°C)
Color Consistency	1/4 ANSI BIN
Operating Temp.	-4°F to +113°F
IP Rating	IP67
IK Rating	IK08
Driveover	11,000 lbs.

Fixture Dimensions



ORDERING INFORMATION

Example: RD12005AH or RD12005AH-1. Accessories (SOME REQUIRED) / Power Supplies ordered separately.

Model No.	CCT	Optics	Finish	Cable Length
RD1200	F - 2700K 5 - 3000K 9 - 4000K	S - 10° A - Radial	H - Anthracite I - Micro-blasted Stainless Steel T - Cor-ten C - Custom RAL (Consult factory for "C")	4.92' standard 1 - 16.40' 2 - 32.81' 3 - 49.21' 4 - 65.62'

Job Name/Date:

Fixture Type Designation:

SUGGESTED POWER SUPPLIES

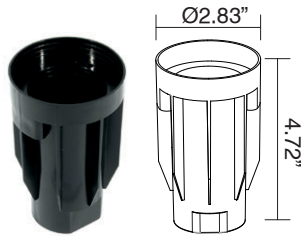
24VDC

Part Number	Description	Input/Output	# of Fixtures
PPLT00128	Non-Dim	120VAC to 24VDC, 6W, Class 2, IP65	1-1
PPLT00632	0-10V Dimming (Dim to Off)	120-277VAC to 24VDC, 12W, Class 2	1-2
PPLT00481	Non-Dim	120-277VAC to 24VDC, 24W, Class 2	1-4
PPLT00157	Non-Dim	120VAC to 24VDC, 60W, Class 2	1-12
PPLT00599	ELV / TRIAC & 0-10V Dimming	120-277VAC to 24VDC, 96W, Class 2	1-19
PPLT00543	0-10V Dimming to 15% (-40°C / -40°F cold weather start)	120-277VAC to 24VDC, 100W, Class 2	3-20

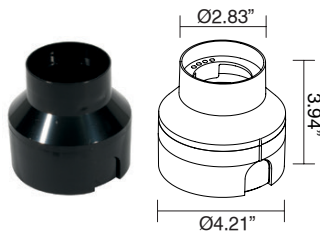
For other power supply options consult factory.

ACCESSORIES

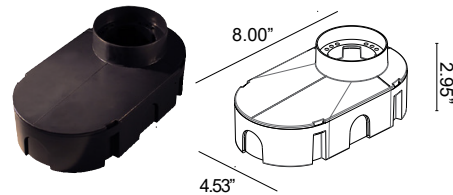
Installation



WC0100
Outer Casing
For in-grade use



WC0103
Outer Casing
For in-grade use



WC0150
Outer Casing
For in-grade use



MUST BE ORDERED WITH FIXTURE

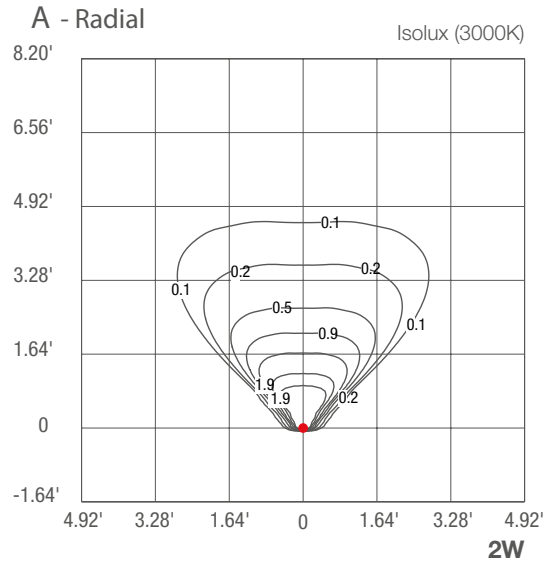
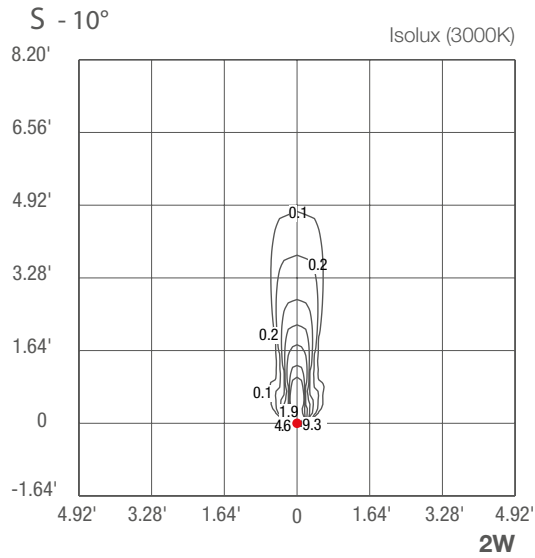
WE0100
Tool for tamper-resistant screws

Job Name/Date:

Fixture Type Designation:

PHOTOMETRIC DATA

Note all Photometry is 3000K, Per beam



Job Name/Date:

Fixture Type Designation: