

RONDÒ 3.4

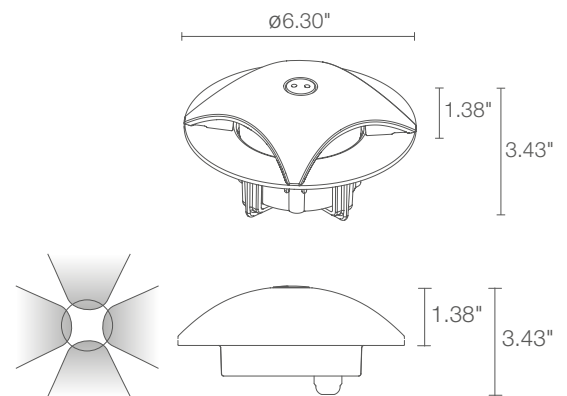
Rondò are a line of recessed uplights for outdoor use with a driveover rating of up to 11,000 lbs. It is available in a single or double beam with 10° or radial optics.

TECHNICAL DATA

Wattage / Input	8W (24VDC)
Power Supply	Remote, not included. See page 2.
Construction	Body: AISI 316L Stainless Steel Lens: Rilsan Clear Cable Length: 4.92' standard
CCT	2700K, 3000K, 4000K
CRI	>80
Delivered Lumens	90 lm per beam (3000K, radial optics)
Efficacy	30 lm/W per beam (3000K, radial optics)
Optics	Radial, 10°
Finishes	3 Standard, Custom RAL (see below)
Fixture Dimensions	Ø6.30" x 3.43"
Fixture Weight	3.97 lbs
LED Source	4 Power LEDs
Lumen Maintenance	L95, B10 >50,000hrs (Ta 25°C)
Color Consistency	1/4 ANSI BIN
Operating Temp.	-4°F to +113°F
IP Rating	IP67
IK Rating	IK08
Driveover	11,000 lbs.



Fixture Dimensions



ORDERING INFORMATION

Example: RD34005AH-0. Accessories (SOME REQUIRED) / Power Supplies ordered separately.

RD3400			
Model No.	CCT	Optics	Finish
RD3400	F - 2700K 5 - 3000K 9 - 4000K	S - 10° A - Radial	H - Anthracite I - Micro-blasted Stainless Steel T - Cor-ten C - Custom RAL (Consult factory for "C")

Job Name/Date:

Fixture Type Designation:

SUGGESTED POWER SUPPLIES

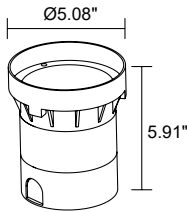
24VDC

Part Number	Description	Input/Output	# of Fixtures
PPLT00632	0-10V Dimming (Dim to Off)	120-277VAC to 24VDC, 12W, Class 2	1-1
PPLT00481	Non-Dim	120-277VAC to 24VDC, 24W, Class 2	1-2
PPLT00156	Non-Dim	120VAC to 24VDC, 45W, Class 2	1-4
PPLT00157	Non-Dim	120VAC to 24VDC, 60W, Class 2	1-6
PPLT00599	ELV / TRIAC & 0-10V Dimming	120-277VAC to 24VDC, 96W, Class 2	1-9
PPLT00543	0-10V Dimming to 15% (-40°C / -40°F cold weather start)	120-277VAC to 24VDC, 100W, Class 2	2-10

For other power supply options consult factory.

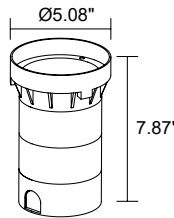
ACCESSORIES

Installation



WC0601

Outer Casing
For in-grade use



WC0701

Outer Casing
For in-grade use



MUST BE ORDERED WITH FIXTURE

WE0100

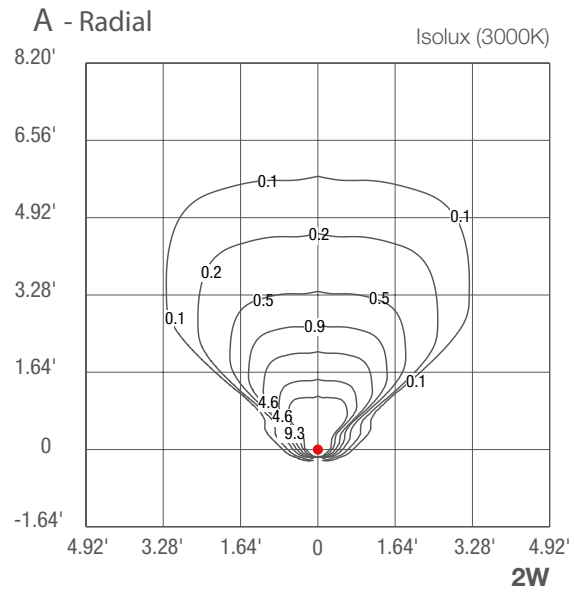
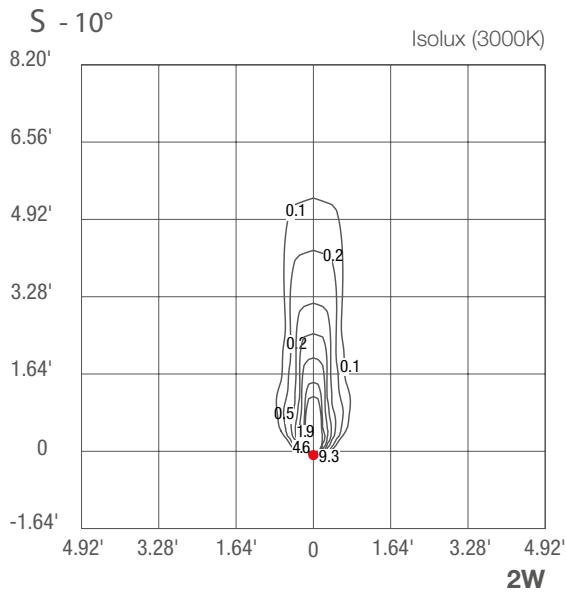
Tool for tamper-resistant screws

Job Name/Date:

Fixture Type Designation:

PHOTOMETRIC DATA

Note all Photometry is 3000K, Per beam



Job Name/Date:

Fixture Type Designation: