

# RONDÒ 3.4

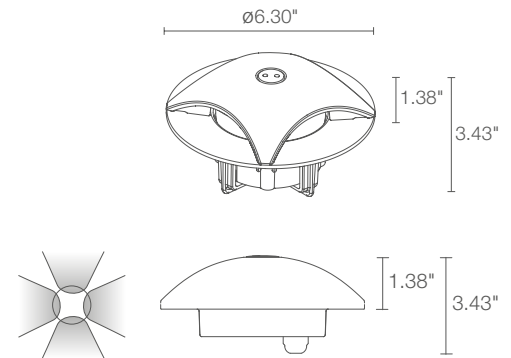
Rondò are a line of recessed uplights for outdoor use with a driveover rating of up to 11,000 lbs. It is available in a single or double beam with 10° or radial optics.

## TECHNICAL DATA

<b>Wattage / Input</b>	8W (24VDC)
<b>Power Supply</b>	Remote, not included. See page 2.
<b>Construction</b>	Body: AISI 316L Stainless Steel Lens: Rilsan Clear Cable Length: 4.92' standard
<b>CCT</b>	2700K, 3000K, 4000K
<b>CRI</b>	>80
<b>BUG Rating</b>	B0-U3-G1 (3000K)
<b>Delivered Lumens</b>	90 lm per beam (3000K, radial optics)
<b>Efficacy</b>	30 lm/W per beam (3000K, radial optics)
<b>Optics</b>	Radial, 10°
<b>Finishes</b>	3 Standard, Custom RAL (see below)
<b>Fixture Dimensions</b>	Ø6.30" x 3.43"
<b>Fixture Weight</b>	3.97 lbs
<b>LED Source</b>	4 Power LEDs
<b>Lumen Maintenance</b>	L95, B10 >50,000hrs (Ta 25°C)
<b>Color Consistency</b>	1/4 ANSI BIN
<b>Operating Temp.</b>	-4°F to +113°F
<b>IP Rating</b>	IP67
<b>IK Rating</b>	IK08
<b>Driveover</b>	11,000 lbs.



Fixture Dimensions



## ORDERING INFORMATION

Example: RD34005AH-0. Accessories (SOME REQUIRED) / Power Supplies ordered separately.

RD3400			
Model No.	CCT	Optics	Finish
RD3400	F - 2700K 5 - 3000K 9 - 4000K	S - 10° A - Radial	H - Anthracite I - Micro-blasted Stainless Steel T - Cor-ten C - Custom RAL (Consult factory for "C")

Job Name/Date:

Fixture Type Designation:

## SUGGESTED POWER SUPPLIES

24VDC

Part Number	Description	Input/Output	# of Fixtures
<a href="#">PPLT00632</a>	0-10V Dimming (Dim to Off)	120-277VAC to 24VDC, 12W, Class 2	1-1
<a href="#">PPLT00481</a>	Non-Dim	120-277VAC to 24VDC, 24W, Class 2	1-2
<a href="#">PPLT00157</a>	Non-Dim	120VAC to 24VDC, 60W, Class 2	1-6
<a href="#">PPLT00627</a>	ELV / TRIAC & 0-10V Dimming, IP67	120-277VAC to 24VDC, 96W, Class 2	1-9
<a href="#">PPLT00543</a>	0-10V Dimming to 15% (-40°C / -40°F cold weather start)	120-277VAC to 24VDC, 100W, Class 2	2-10

For other power supply options consult factory.

## ACCESSORIES

### Installation



#### WC0601

Outer Casing  
For in-grade use

#### WC0701

Outer Casing  
For in-grade use



**MUST BE ORDERED  
WITH FIXTURE**

#### WE0100

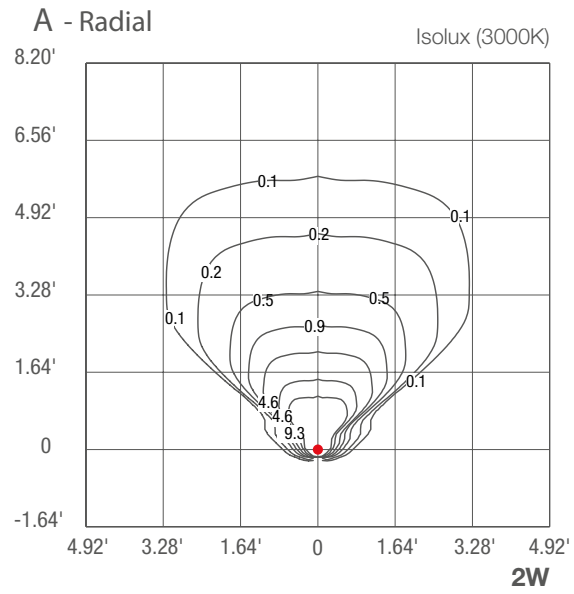
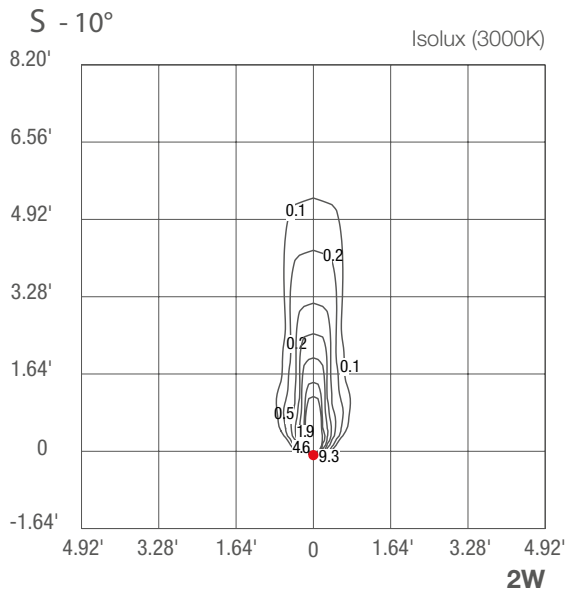
Tool for tamper-resistant screws

Job Name/Date:

Fixture Type Designation:

## PHOTOMETRIC DATA

Note all Photometry is 3000K, Per beam



Job Name/Date:

Fixture Type Designation: