

RONDÒ 3.4

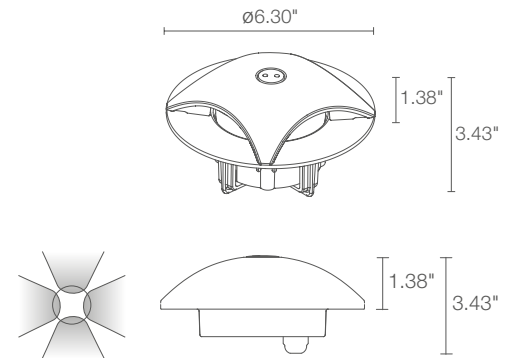
Rondò are a line of recessed uplights for outdoor use with a driveover rating of up to 11,000 lbs. It is available in a single or double beam with 10° or radial optics.

TECHNICAL DATA

| | |
|---------------------------|---|
| Wattage / Input | 8W (24VDC) |
| Power Supply | Remote, not included. See page 2. |
| Construction | Body: AISI 316L Stainless Steel Lens: Rilsan Clear Cable Length: 4.92' standard |
| CCT | 2700K, 3000K, 4000K |
| CRI | >80 |
| BUG Rating | B0-U3-G1 (3000K) |
| Delivered Lumens | 90 lm per beam (3000K, radial optics) |
| Efficacy | 30 lm/W per beam (3000K, radial optics) |
| Optics | Radial, 10° |
| Finishes | 3 Standard, Custom RAL (see below) |
| Fixture Dimensions | Ø6.30" x 3.43" |
| Fixture Weight | 3.97 lbs |
| LED Source | 4 Power LEDs |
| Lumen Maintenance | L95, B10 >50,000hrs (Ta 25°C) |
| Color Consistency | 1/4 ANSI BIN |
| Operating Temp. | -4°F to +113°F |
| IP Rating | IP67 |
| IK Rating | IK08 |
| Driveover | 11,000 lbs. |



Fixture Dimensions



ORDERING INFORMATION

Example: RD34005AH-0. Accessories (SOME REQUIRED) / Power Supplies ordered separately.

| RD3400 | | | |
|-----------|-------------------------------------|-----------------------|--|
| Model No. | CCT | Optics | Finish |
| RD3400 | F - 2700K 5 - 3000K 9 - 4000K | S - 10° A - Radial | H - Anthracite I - Micro-blasted Stainless Steel T - Cor-ten C - Custom RAL (Consult factory for "C") |

Job Name/Date:

Fixture Type Designation:

SUGGESTED POWER SUPPLIES

24VDC

| Part Number | Description | Input/Output | # of Fixtures |
|---------------------------|---|---|---------------|
| PPLT00632 | 0-10V Dimming (Dim to Off) | 120-277VAC to 24VDC, 12W, Class 2 | 1-1 |
| PPLT00481 | Non-Dim | 120-277VAC to 24VDC, 24W, Class 2 | 1-2 |
| PPLT00586 | Non-Dim | 120-277VAC to 24VDC, 40W, Class 2 | 1-4 |
| PPLT00709 | ELV/TRIAC & 0-10V Dimming to 5% and OFF | 120-277VAC to 24VDC, 96W, Class 2, DAMP | 1-9 |
| PPLT00543 | 0-10V Dimming to 15% (-40°C / -40°F cold weather start) | 120-277VAC to 24VDC, 100W, Class 2 | 2-10 |

Suggested Lutron Compatible

| Part Number | Option | Lutron SKU | Dim Range | Description | Input/Output | # of Fixtures |
|---------------------------|----------------|------------|-----------|--|-----------------------------------|---------------|
| PPLT00273 | L3DAE / L3DA3W | L3DA | 100%-1% | Hi-Lume™ 1% EcoSystem™ or 1% 3-Wire LED Driver | 120-277VAC to 24VDC, 40W, Class 2 | 1-4 |
| PPLT00530 | L3D0 | L3D0 | 100%-0.1% | Hi-Lume™ Premier 0.1% or Ecosystem 3-Wire LED Driver | 120-277VAC to 24VDC, 96W, Class 2 | 1-9 |

For other power supply options consult factory.

ACCESSORIES

Installation



WC0601
Outer Casing
For in-grade use

WC0701
Outer Casing
For in-grade use



MUST BE ORDERED WITH FIXTURE

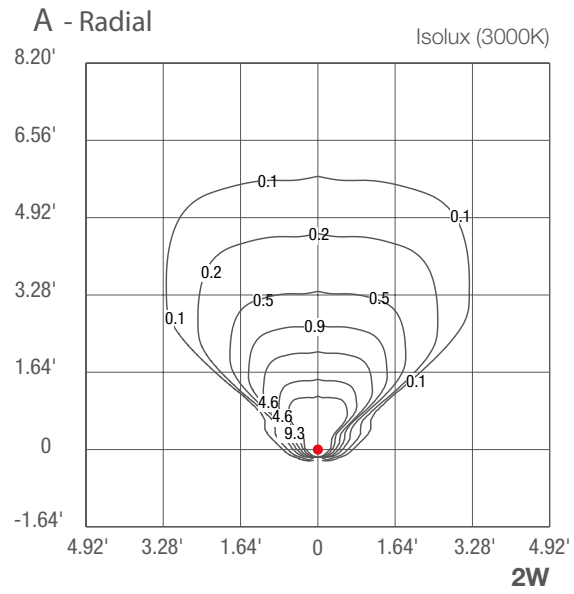
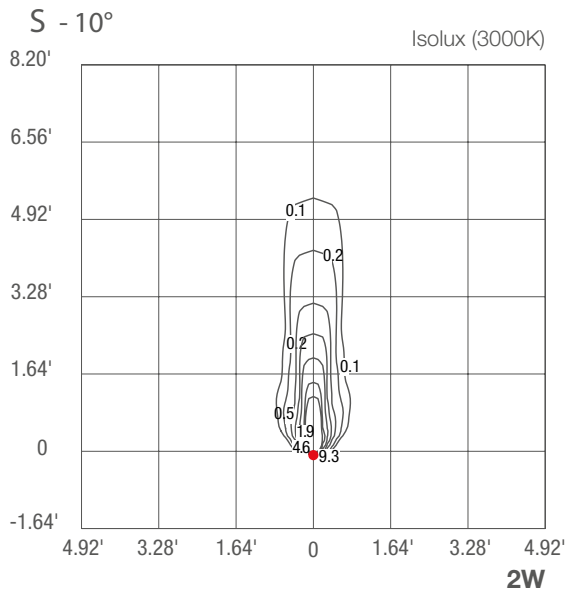
WE0100
Tool for tamper-resistant screws

Job Name/Date:

Fixture Type Designation:

PHOTOMETRIC DATA

Note all Photometry is 3000K, Per beam



Job Name/Date:

Fixture Type Designation: