



INSTRUCTIONS PERTAINING TO RISK OF FIRE OR INJURY TO PERSONS. READ ALL INSTRUCTIONS. IMPORTANT SAFETY INSTRUCTIONS. SAVE THESE INSTRUCTIONS.

DANGER - RISK OF SHOCK - DISCONNECT POWER BEFORE INSTALLATION! Please read all instructions before installation.

- Keep these instructions for future reference.
- Must be installed by a qualified electrician in accordance with national and local standards. Designplan is not responsible for fixtures installed without regard to these standards.
- The main power connection must be in accordance with local electrical codes.
- Unauthorized alterations or tampering of product voids warranty.
- Suitable for OUTDOOR applications.



Electrical Connections:

- LED lights must be **connected in series** respecting polarities.
- **CHOOSE POWER SUPPLY ACCORDINGLY.** Please consider the voltage through which fixtures are fed as well as the max power consumption.
- **Connect power only if all fixtures are connected.**
- The power supplies **MUST** be installed in aerated rooms, far from heat sources. Overworking or lack of air circulation will not permit natural dissipation.
- The electronic power supply is current-stable, therefore it partially compensates the voltage-drop problems related to the cable length; we suggest not to exceed 100 ft.
- Use only Class 2 type electronic power supply.
- Never use switches on secondary circuit.

ATTENTION: For Ceiling - It is the contractor's responsibility to caulk around all the edges between the fixture and the mounting surface to satisfy wet label requirements.

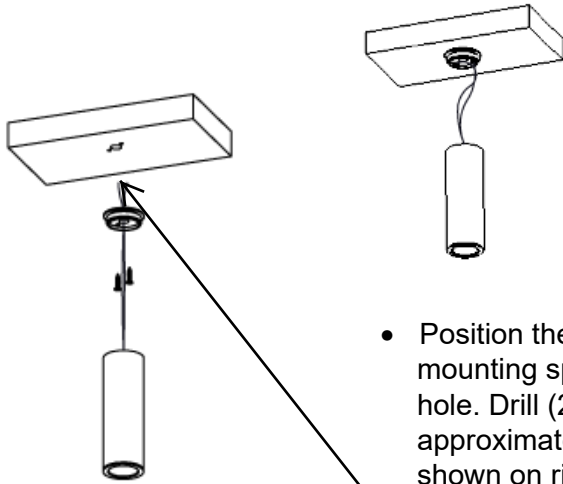
Maintenance

Scheduled maintenance must be carried out once a year on all lighting devices, regardless of appliance class and type of use. It must include the following operations:

- Periodically clean fixtures to remove dirt from gratings and screw heads.
- Check tightness of screws on various parts of the device.
- Check that all cable glands and cables are intact and tight. Check that the glass or plastic lens is intact, and replace it if broken or damaged.
- The internal components such as the ballast, driver, washers and screws must not show clear signs of oxidation or rust. Clear traces of rust and oxidation will indicate the presence of water inside the device.
- In the case of damage, the components must be replaced by original components or spare parts.

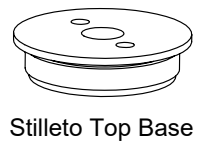
Fixture Installation

Surface Mount Installation (via (2) 6-32 screws)



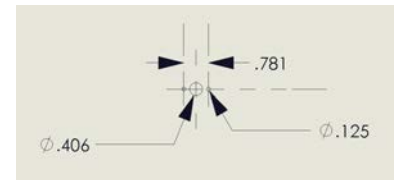
- 4in Stiletto tube is shown but instructions can be applied to all sizes.

- Position the fixture base onto the ceiling in designated mounting spot and trace the two support holes and center wire hole. Drill (2) holes for # 6 screw in ceiling, spaced approximately .781" apart and approximately 3/8" through, as shown on right. (Hole size will depend on type of screws used). Drill (1) hole through in the center for wires to go through.
- Insert (2) #6 Screws (provided by others) through the bottom of the top base and screw into ceiling.
- Once top base is mounted to ceiling, screw in tube assembly to top base.



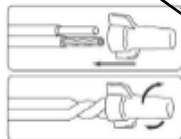
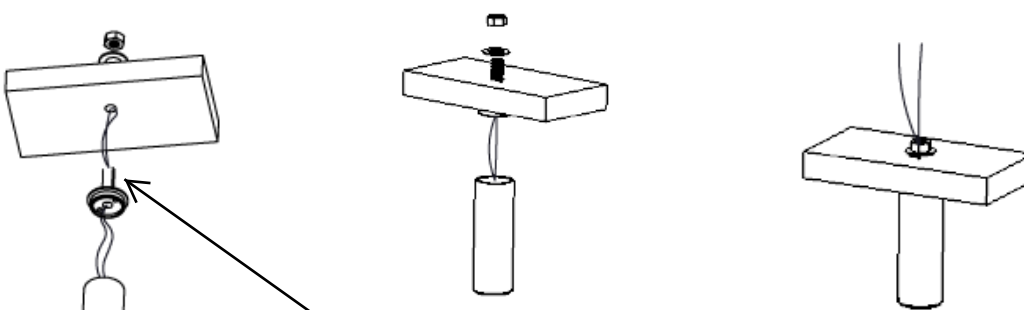
Stiletto Top Base

- It is the contractor's responsibility to install Remote Driver in a suitable electrical enclosure.
- It is the contractor's responsibility to caulk around the edges in between the fixture and the mounting surface, to satisfy wet label requirements.



Hole Cut out Spacing on Ceiling

Surface Mount Installation via center threaded support (for top access only)



Use gel-filled waterproof wire-nuts for wire connections.

- Position the top cap onto the designated mounting spot in the ceiling and mark the location of the center hole.
- Drill (1) 1/8-27 clearance thru hole, as shown above, at the marked location.
- Screw in brass nipple through center hole in top base and through the ceiling.
- Screw in Stiletto tube assembly onto top base.
- Insert washer and hex nuts from the top.

