

SIRI 1.3

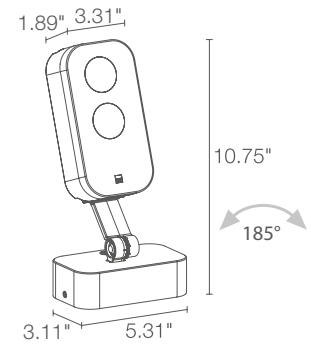
Siri is a line of spotlights for indoor and outdoor applications with outstanding design featuring rounded angles. The scaled and adjustable bracket allows multiple installations on ceiling, wall, and floor.



TECHNICAL DATA

Wattage / Input	11W (24VDC)
Power Supply	Remote, not included. See page 2.
Construction	Body: Die-Cast Aluminum Lens: Tempered, Serigraphed Extra-Clear Glass Cable Length: 4.92'
CCT	RGBW (4000K)
CRI	>80
BUG Rating	B0-U1-G0 (58°, 30° x 60°, 60° x 30°) B1-U1-G0 (21°, 32°)
Delivered Lumens	379 lm: (R) 59 lm, (G) 105 lm, (B) 42 lm, (W) 173 lm
Efficacy	34.5 lm/W (32°)
Optics	5 Standard (see below)
Finishes	4 Standard, Custom RAL on request (4 Stage Marine Grade Finish)
Fixture Dimensions	3.11" l x 5.31" w x 10.75" h
Fixture Weight	2.49 lbs
LED Source	2 LED RGBW groups
Lumen Maintenance	L90, B10 >50,000hrs (Ta 25°C)
Operating Temp.	-4°F to +113°F
IP Rating	IP66
Impact Rating	IK07

Fixture Dimensions



ORDERING INFORMATION

Example: SR13007ME. Accessories / Power Supplies ordered separately.

SR1300	7		
Model No.	CCT	Optics	Finish
SR1300	7 - RGBW	S - 21° M - 32° L - 58° W - 30° x 60° X - 60° x 30°	E - White F - Gray H - Anthracite T - Cor-ten C - Custom RAL <i>(Consult factory for "C")</i>

Job Name/Date:

Fixture Type Designation:

SUGGESTED POWER SUPPLIES

24VDC - RGBW

Part Number	Description	Input/Output	# of Fixtures
PPLT00288	DMX / RDM / DALI / 0-10V	120-277VAC to 24VDC, 100W, Class 2	1-4

For other power supply options consult factory.

ACCESSORIES

Anti-Glare



WB5010H

Anti-glare hood - Anthracite finish

On request the finish can match the fixture

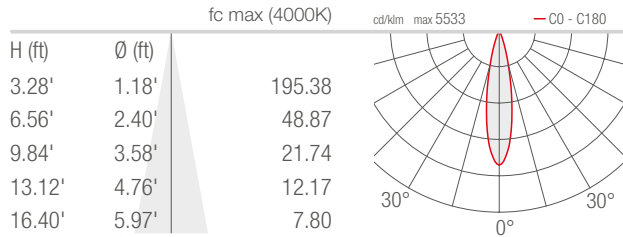
Job Name/Date:

Fixture Type Designation:

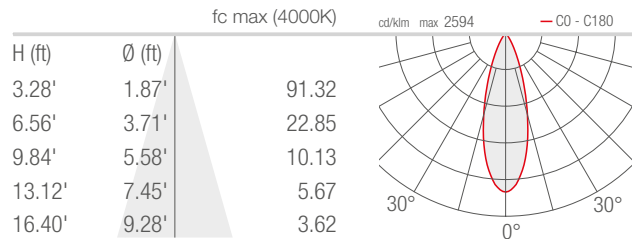
PHOTOMETRIC DATA

Note all Photometry is 3000K

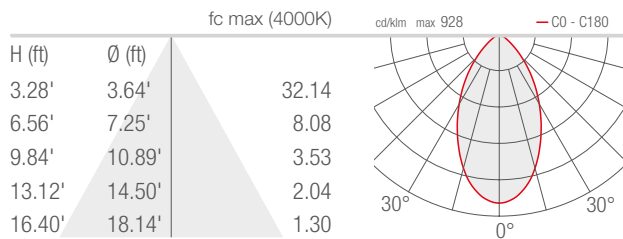
S - 21°



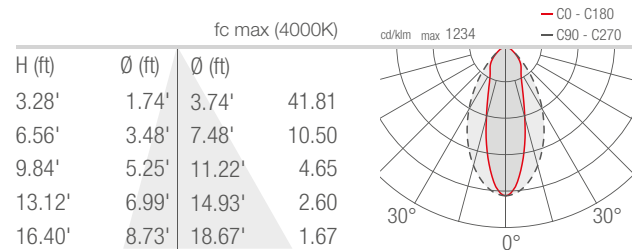
M - 32°



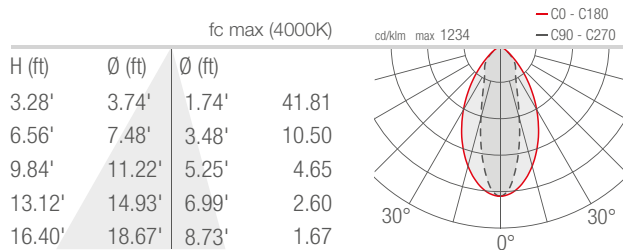
L - 58°



W - 30°x60°



X - 60°x30°



Job Name/Date:

Fixture Type Designation: