

SIRI 2.2

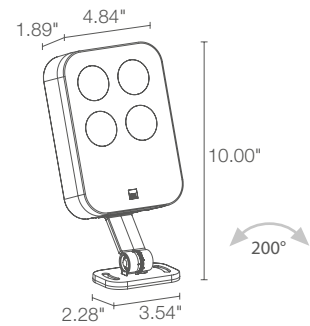
Siri is a line of spotlights for indoor and outdoor applications with outstanding design featuring rounded angles. The scaled and adjustable bracket allows multiple installations on ceiling, wall, and floor.



TECHNICAL DATA

Wattage / Input	20W (24VDC)
Power Supply	Remote, not included. See page 2.
Construction	Body: Die-Cast Aluminum Lens: Tempered, Serigraphed Extra-Clear Glass Cable Length: 4.92'
CCT	RGBW (4000K)
CRI	>80
Delivered Lumens	756 lm: (R) 118 lm, (G) 209 lm, (B) 84 lm, (W) 345 lm
Efficacy	37.8 lm/W (32°)
Optics	5 Standard (see below)
Finishes	4 Standard, Custom RAL (see below)
Fixture Dimensions	2.28" l x 4.84" w x 10.00" h
Fixture Weight	3.46 lbs
LED Source	4 LED RGBW groups
Lumen Maintenance	L90, B10 >50,000hrs (Ta 25°C)
Operating Temp.	-4°F to +113°F
IP Rating	IP66
Impact Rating	IK06

Fixture Dimensions



ORDERING INFORMATION

Example: SR22007ME. Accessories / Power Supplies ordered separately.

SR2200	7		
Model No.	CCT	Optics	Finish
SR2200	7 - RGBW	S - 21° M - 32° L - 58° W - 30° x 60° X - 60° x 30°	E - White F - Gray H - Anthracite T - Cor-ten C - Custom RAL <i>(Consult factory for "C")</i>

Job Name/Date:

Fixture Type Designation:

SUGGESTED POWER SUPPLIES

24VDC - RGBW

Part Number	Description	Input/Output	# of Fixtures
PPLT00288	DMX / RDM / DALI / 0-10V	120-277VAC to 24VDC, 100W, Class 2	1-4

For other power supply options consult factory.

ACCESSORIES

Installation



WP0300

Ground Spike

ACCESSORIES

Anti-Glare



WB5020H

Anti-glare hood - Anthracite finish

On request the finish can match the fixture

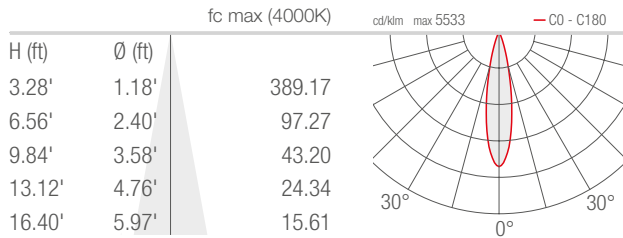
Job Name/Date:

Fixture Type Designation:

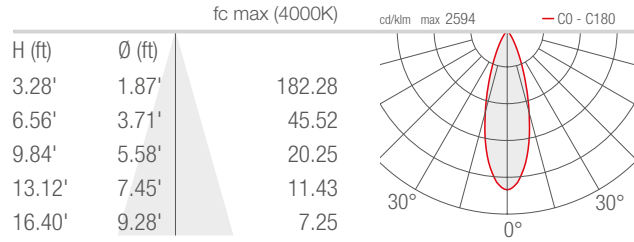
PHOTOMETRIC DATA

Note all Photometry is 3000K

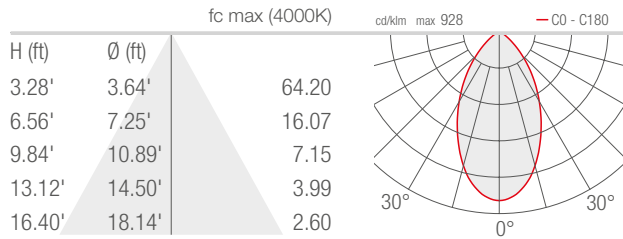
S - 21°



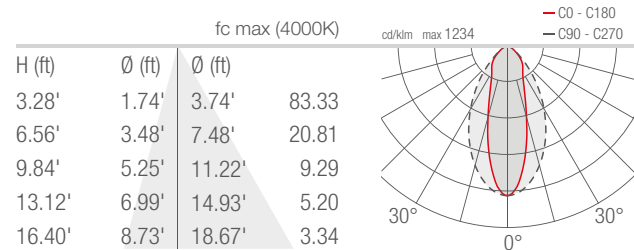
M - 32°



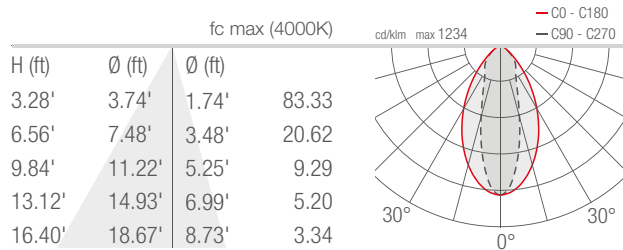
L - 58°



W - 30°x60°



X - 60°x30°



Job Name/Date:

Fixture Type Designation: