

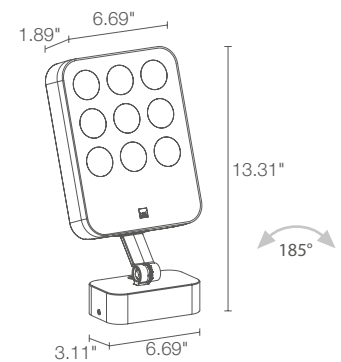
Siri is a line of spotlights for indoor and outdoor applications with outstanding design featuring rounded angles. The scaled and adjustable bracket allows multiple installations on ceiling, wall, and floor.



TECHNICAL DATA

| | |
|---------------------------|---|
| Wattage / Input | 33W (24VDC) |
| Power Supply | Remote, not included. See page 2. |
| Construction | Body: Die-Cast Aluminum Lens: Tempered, Serigraphed Extra-Clear Glass Cable Length: 4.92' |
| CCT | RGBW (4000K) |
| CRI | >80 |
| BUG Rating | B1-U1-G0 (58°, 30° x 60°, 60° x 30°) B2-U1-G0 (21°, 32°) |
| Delivered Lumens | 1532 lm: (R) 240 lm, (G) 423 lm, (B) 170 lm, (W) 699 lm (32°) |
| Efficacy | 46.4 lm/W (32°) |
| Optics | 5 Standard (see below) |
| Finishes | 4 Standard, Custom RAL (see below) |
| Fixture Dimensions | 3.11" l x 6.69" w x 13.31" h |
| Fixture Weight | 5.29 lbs |
| LED Source | 9 LED RGBW groups |
| Lumen Maintenance | L90, B10 >50,000hrs (Ta 25°C) |
| Operating Temp. | -4°F to +113°F |
| IP Rating | IP66 |
| Impact Rating | IK06 |

Fixture Dimensions



ORDERING INFORMATION

Example: SR33007ME or SR33007ME-1. Power Supplies ordered separately.

| SR3300 | 7 | | | |
|-----------|----------|--|---|--|
| Model No. | CCT | Optics | Finish | Cable Length |
| SR3300 | 7 - RGBW | S - 21° M - 32° L - 58° W - 30° x 60° X - 60° x 30° | E - White F - Gray H - Anthracite T - Cor-ten C - Custom RAL <i>(Consult factory for "C")</i> | 4.92' standard 1 - 16.40' 2 - 32.81' 3 - 49.21' 4 - 65.62' |

Job Name/Date:

Fixture Type Designation:

SUGGESTED POWER SUPPLIES

24VDC - RGBW

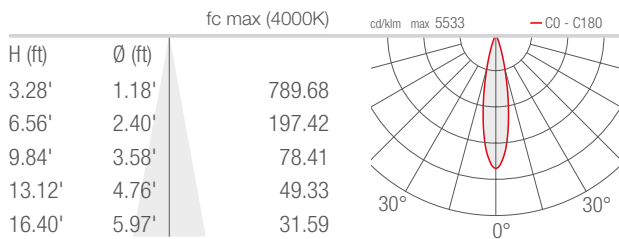
| Part Number | Description | Input/Output | # of Fixtures |
|---------------------------|--------------------------|------------------------------------|---------------|
| PPLT00288 | DMX / RDM / DALI / 0-10V | 120-277VAC to 24VDC, 100W, Class 2 | 1-2 |

For other power supply options consult factory.

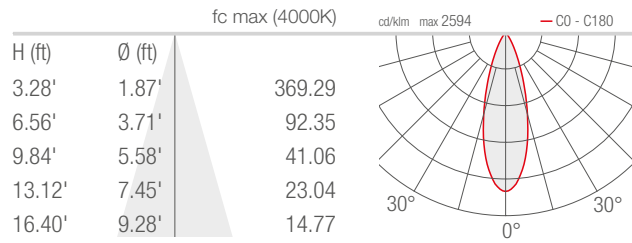
PHOTOMETRIC DATA

Note all Photometry is 3000K

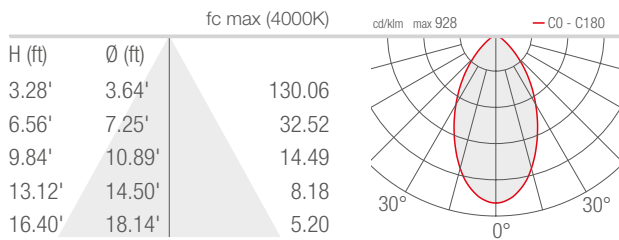
S - 21°



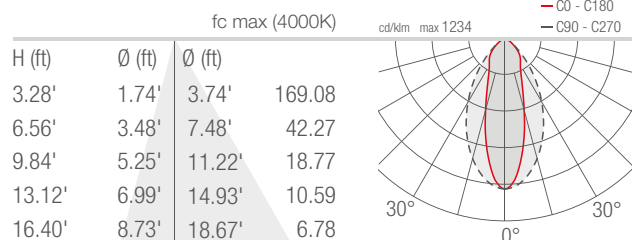
M - 32°



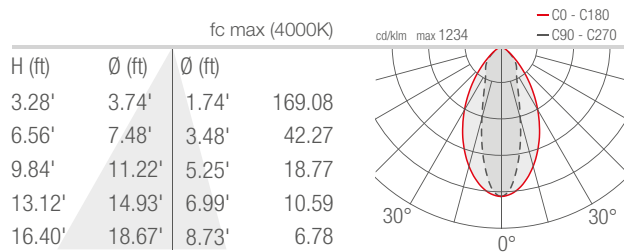
L - 58°



W - 30°x60°



X - 60°x30°



Job Name/Date:

Fixture Type Designation: