

SIRI BLVD 3.0

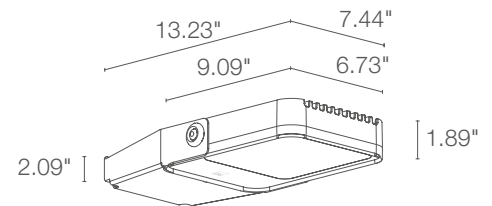
Siri Blvd is a line of floodlights suitable for mounting on walls or a pole with a long or short arm. The fixture uses optics perfect for urban lighting situations such as bicycle paths, footpaths and pedestrian areas. Dark Sky compliant for output below 80°.

TECHNICAL DATA

Wattage / Input	38W (120VAC)
Power Supply	Integral
Construction	Body: Die-Cast Aluminum Alloy EN AB 47100 Lens: Tempered, Serigraphed Extra-Clear Glass
CCT	2700K, 3000K, 4000K
CRI	>80
Delivered Lumens	2180 lm (3000K, asymmetrical) 2110 lm (3000K, pedestrian zone) 2081 lm (3000K, footpath) 2134 lm (3000K, cycle path) Dark Sky compliant, output below 80°
Efficacy	57.4 lm/W (3000K, asymmetrical) 55.5 lm/W (3000K, pedestrian zone) 54.8 lm/W (3000K, footpath) 56.2 lm/W (3000K, cycle path)
Optics	Pedestrian Zone, Asymmetrical, Footpath, Cycle Path
Finishes	Anthracite, Custom RAL upon request
Fixture Dimensions	7.44" w x 13.23" l x 2.09" h
Fixture Weight	8.82 lbs
LED Source	4 High-Intensity Power LEDs
Lumen Maintenance	L90, B10 >50,000hrs (Ta 25°C)
Color Consistency	3-Step MacAdam
Operating Temp.	-4°F to +113°F
IP Rating	IP66
Impact Rating	IK06



Fixture Dimensions



POLE SUPPLIED BY OTHERS

ORDERING INFORMATION

Example: SL3010FAH or SL3010FAHM (with Virtual Midnight control system).

SL3010				
Model No.	CCT	Optics	Finish	Control System
SL3010	F - 2700K 5 - 3000K 9 - 4000K	A - Pedestrian Zone B - Asymmetrical C - Footpath D - Cycle Path	H - Anthracite C - Custom RAL (Consult factory for "C")	M - Virtual Midnight Dimming device built into the fixture that reduces the light emitted in the hours around the middle of the night

Job Name/Date:

Fixture Type Designation:

ACCESSORIES Installation

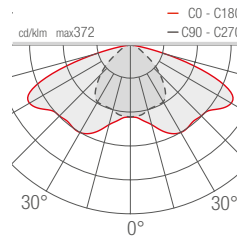
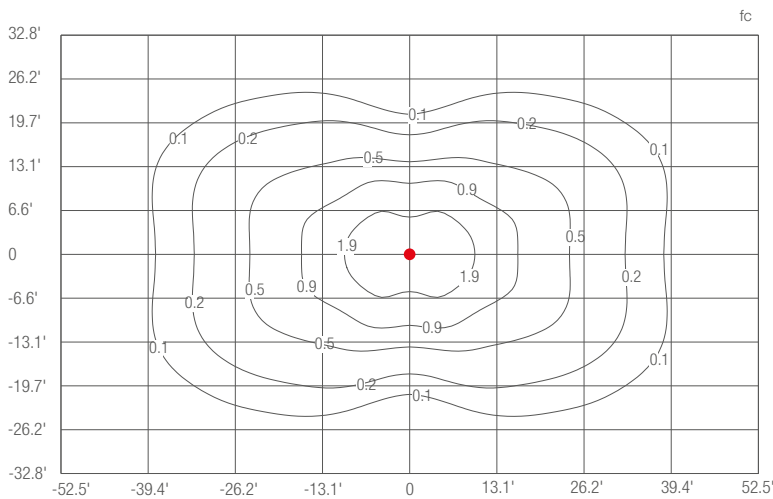


WD0700H
Angled wall bracket

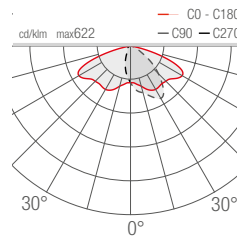
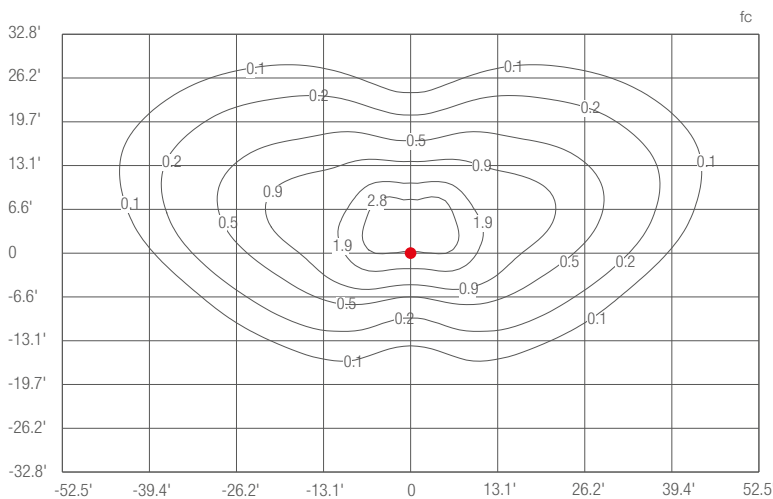
PHOTOMETRIC DATA

Note all Photometry is 3000K

A - Pedestrian zone



B - Asymmetrical



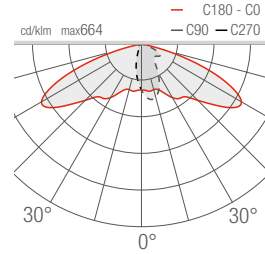
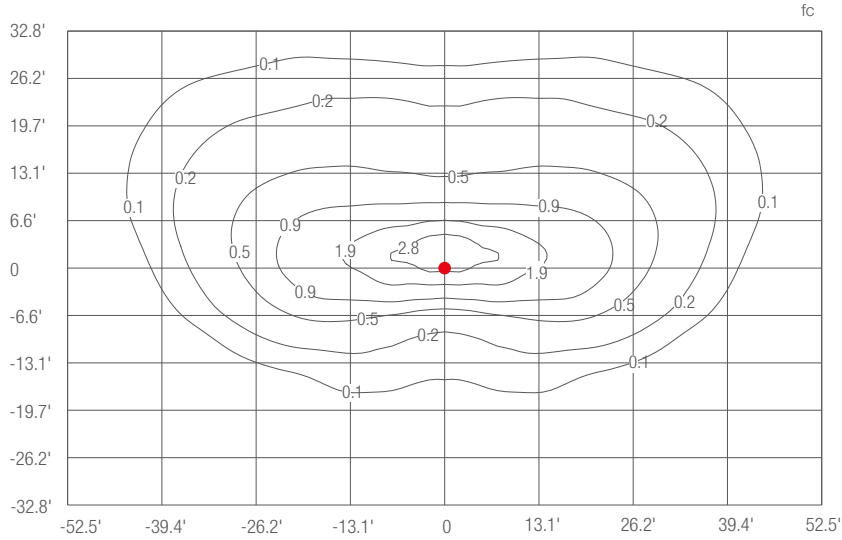
Job Name/Date:

Fixture Type Designation:

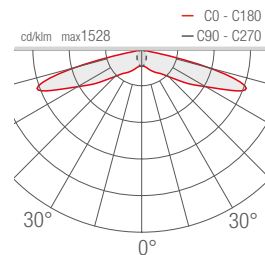
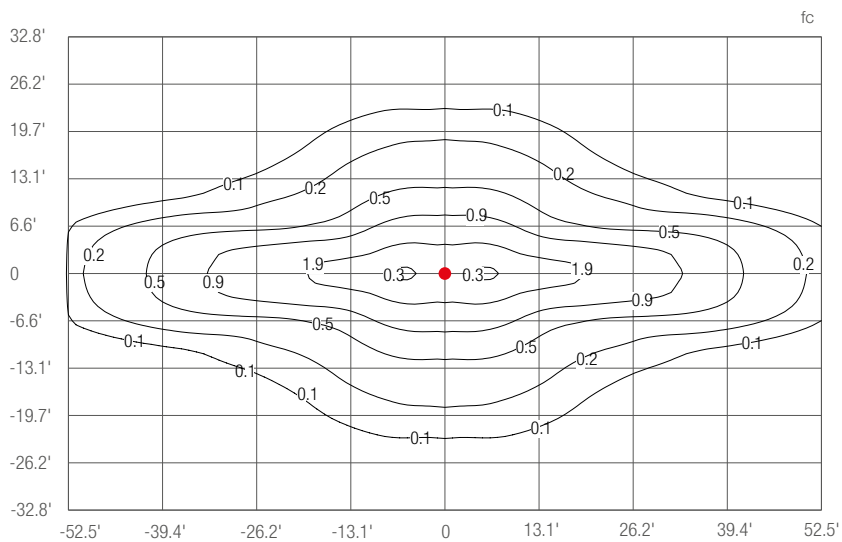
PHOTOMETRIC DATA

Note all Photometry is 3000K

C - Footpath



D - Cycle path



Job Name/Date:

Fixture Type Designation: