

SPOT 2.0 316L

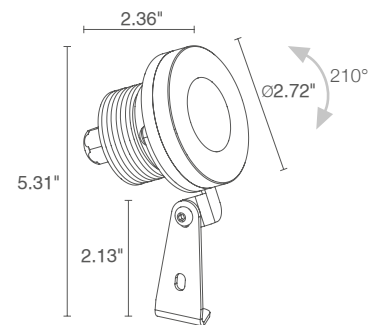
The Spot 2 316L Series are compact spotlights suitable for outdoor, fountain and underwater use. Available in white, blue or RGB models with 3 optic options.

TECHNICAL DATA

Wattage / Input	6W (500mA)
Power Supply	Remote, not included. See page 2.
Construction	Body: AISI 316L Stainless Steel Trim: AISI 316L Stainless Steel Lens: Transparent tempered glass Cable Length: 16.4' standard
CCT	2700K, 3000K, 4000K, 5000K, Blue, RGB
CRI	CRI >80
Delivered Lumens	314 lm (3000K, 500mA, 24°) RGB 198 lm: (R) 73 lm (G) 94 lm (B) 31 lm (500mA, 24°)
Efficacy	52.3 lm/W (3000K, 500mA, 24°) RGB: 33 lm (500mA, 24°)
Optics	10°, 24°, 38°
Finishes	Stainless Steel
Fixture Dimensions	Ø2.7" x 5.3" l
Fixture Weight	2.2 lbs
LED Source	3 Power LEDs
Lumen Maintenance	L90, B10>50,000hrs (Ta 25°C)
Color Consistency	1/4 ANSI BIN
Operating Temp.	-4°F to +113°F
IP Rating	IP68
IK Rating	IK10



Fixture Dimensions



ORDERING INFORMATION

Example: PW20329MAI or PW20329MAI-2. Accessories / Power Supplies ordered separately

PW2032			AI	
Model No.	CCT	Optics	Trim	Cable Length
PW2032	F - 2700K 5 - 3000K 9 - 4000K 0 - 5000K 1 - Blue 6 - RGB	S - 10° M - 24° L - 38°	AI - Stainless Steel	16.4' standard 2 - 32.81' 3 - 49.21' 4 - 65.62'

Job Name/Date:

Fixture Type Designation:

SUGGESTED POWER SUPPLIES

500mA - FOR USE WITH FOUNTAIN / WATER FEATURES

Part Number	Description	Input/Output	# of Fixtures
FPC-100EL0500	DMX / RDM (Field Addressable) / DALI	120-277VAC to 500mA, 100W, Class 2, NEMA 4	1-8

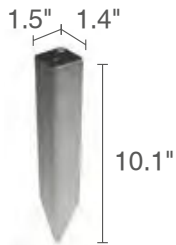
500mA RGB - FOR USE WITH FOUNTAIN / WATER FEATURES

Part Number	Description	Input/Output	# of Fixtures
FPC-100EL0500	DMX / RDM (Field Addressable) / DALI	120-277VAC to 500mA, 100W, Class 2, NEMA 4	1-5

For other power supply options consult factory.

ACCESSORIES

Installation

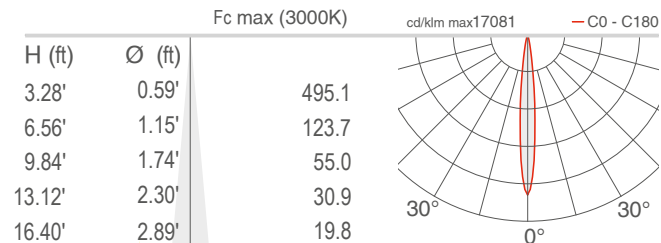


WP0100
Ground Spike (10.1")

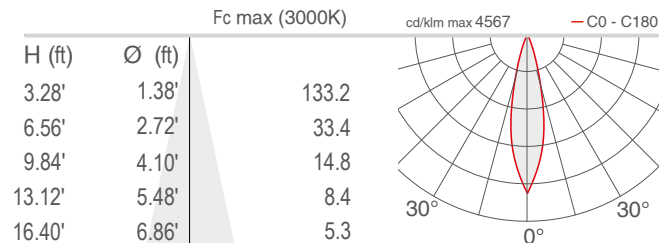
PHOTOMETRIC DATA

Note all photometry in 3000K, CRI 80

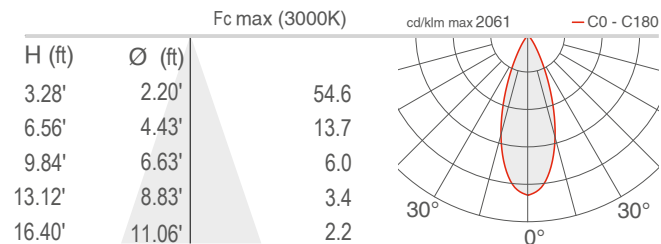
S - 10°



M - 24°



L - 38°



Job Name/Date:

Fixture Type Designation: