

# SPOT 2.6 316L

The Spot 2 316L Series are compact spotlights suitable for outdoor, fountain and underwater use. Available in white, blue or RGB models with 3 optic options.



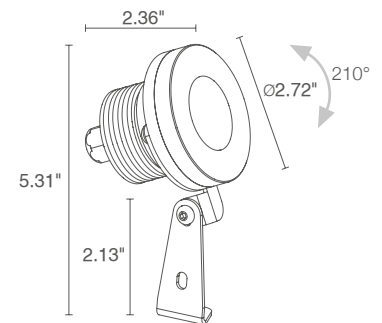
UL 676



## TECHNICAL DATA

<b>Wattage / Input</b>	6W (24VDC)
<b>Power Supply</b>	Remote, not included. See page 2.
<b>Construction</b>	Body: AISI 316L Stainless Steel Trim: AISI 316L Stainless Steel Lens: Transparent tempered glass Cable Length: 16.4' standard
<b>CCT</b>	2700K, 3000K, 4000K, 5000K, Blue
<b>CRI</b>	CRI >80
<b>BUG Rating</b>	B1-U0-G0 (3000K, 10°, 38°) B1-U1-G0 (3000K, 24°)
<b>Delivered Lumens</b>	314 lm (3000K, 500mA, 24°)
<b>Efficacy</b>	52.3 lm/W (3000K, 500mA, 24°)
<b>Optics</b>	10°, 24°, 38°
<b>Finishes</b>	Stainless Steel
<b>Fixture Dimensions</b>	Ø2.7" x 5.3" l
<b>Fixture Weight</b>	2.2 lbs
<b>LED Source</b>	3 Power LEDs
<b>Lumen Maintenance</b>	L90, B10>50,000hrs (Ta 25°C)
<b>Color Consistency</b>	1/4 ANSI BIN
<b>Operating Temp.</b>	-4°F to +113°F
<b>IP Rating</b>	IP68
<b>IK Rating</b>	IK10

Fixture Dimensions



## ORDERING INFORMATION

Example: PW26009MI or PW26009MI-2. Accessories / Power Supplies ordered separately.

PW2600			I	
Model No.	CCT	Optics	Trim	Cable Length
PW2600	F - 2700K 5 - 3000K 9 - 4000K 0 - 5000K 1 - Blue	S - 10° M - 24° L - 38°	I - Stainless Steel	16.4' standard 2 - 32.81' 3 - 49.21' 4 - 65.62'

Job Name/Date:

Fixture Type Designation:

## SUGGESTED POWER SUPPLIES

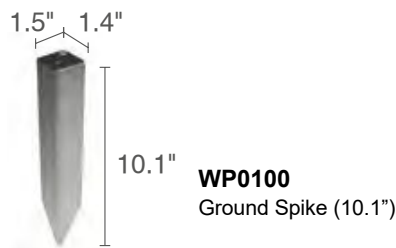
24VDC - FOR USE WITH FOUNTAIN / WATER FEATURES

Part Number	Description	Input/Output	# of Fixtures
<a href="#">FPV-100000024</a>	Non-Dim	120-277VAC to 24VDC, 100W, Class 2	1-13
<a href="#">FPV-100100024</a>	0-10V Dimming to 1.0%	120-277VAC to 24VDC, 100W, Class 2	1-13
<a href="#">FPV-100EL0024</a>	DMX / RDM (Field Addressable) / DALI	120-277VAC to 24VDC, 100W, Class 2	1-12

For other power supply options consult factory.

## ACCESSORIES

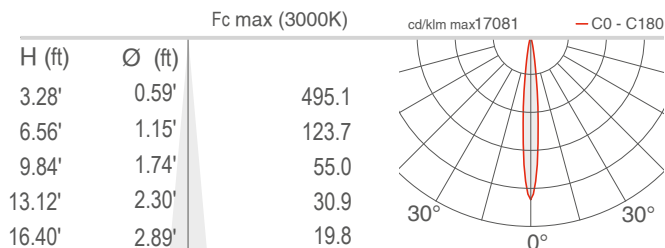
### Installation



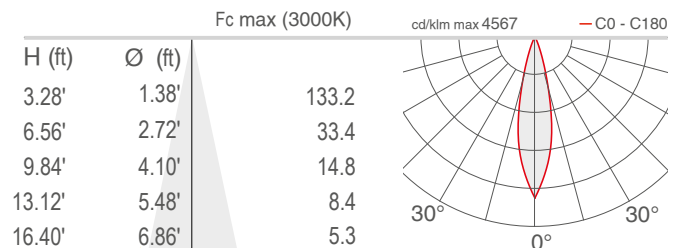
## PHOTOMETRIC DATA

Note all photometry in 3000K, CRI 80

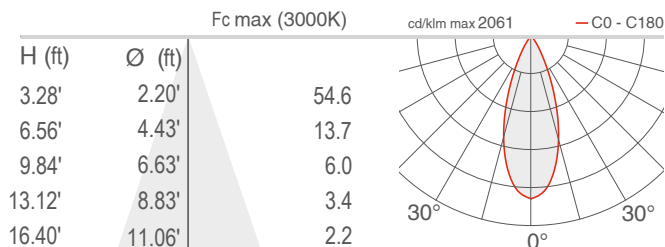
### S - 10°



### M - 24°



### L - 38°



Job Name/Date:

Fixture Type Designation: