

SPOT 4.4

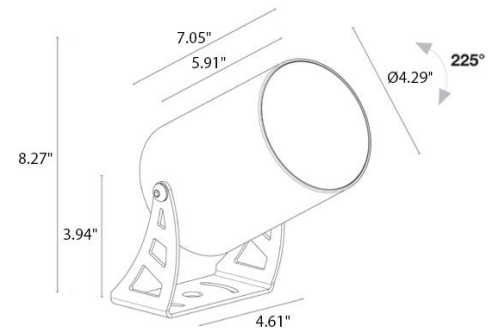
The Spot 4.4 is a surface mounted, outdoor rated, compact floodlight. Available in white light with 4 optic options and 2 standard finishes. Not suitable for swimming pools or fountains.



TECHNICAL DATA

Wattage / Input	22W (24VDC)
Power Supply	Remote, not included. See page 2
Construction	Body/Bracket: Anticorodal Aluminum, Aluminum Lens: Transparent, Tempered Extra-Clear Glass Cable Length: 4.9' standard
CCT	2700K, 3000K, 4000K
CRI	80
BUG Rating	B2-U1-G0 (4000K, 24°) Other BUG Ratings available in IES Reports
Delivered Lumens	1923 lm (3000K, 15°, 22W)
Efficacy	87.4 lm/W (3000K, 15°, 22W)
Optics	4 Standard (see below)
Finishes	2 Standard, Custom RAL
Fixture Dimensions	Ø4.29" x 7.05" l x 8.27" h
Fixture Weight	5.51 lbs
LED Source	1 COB LED
Lumen Maintenance	L90, B10 >50,000hrs (Ta 25°C)
Color Consistency	2-Step MacAdam
Operating Temp.	-4°F to +113°F
IP Rating	IP66
IK Rating	IK08

Fixture Dimensions



ORDERING INFORMATION

Example: CF44100009ME. Accessories / Power Supplies ordered separately.

CF44100000			
Model No.	CCT	Optics	Finish
CF44100000	F - 2700K 5 - 3000K 9 - 4000K	S - 15° M - 24° L - 32° J - 54°	H - Anthracite E - White C - Custom RAL <i>(consult factory for "C")</i>

Job Name/Date:

Fixture Type Designation:

SUGGESTED POWER SUPPLIES

24VDC

Part Number	Description	Input/Output	# of Fixtures 22W
PPLT00155	Non-Dim	120VAC to 24VDC, 30W, Class 2	1-1
PPLT00599	ELV / TRIAC & 0-10V Dimming (100-0%)	120-277VAC to 24VDC, 96W, Class 2	1-3
PPLT00284	Non-Dim	120-277VAC to 24VDC, 100W, Class 2	1-3
PPLT00543	0-10V Dimming to 15% (-40°C / -40°F cold weather start)	120-277VAC to 24VDC, 100W, Class 2	1-3

For other power supply options consult factory.

ACCESSORIES - Installation



WP0300

Ground Spike (15.6")

ACCESSORIES - Anti-Glare



WB1101E - White
WB1101H - Anthracite
 Standard Snoot



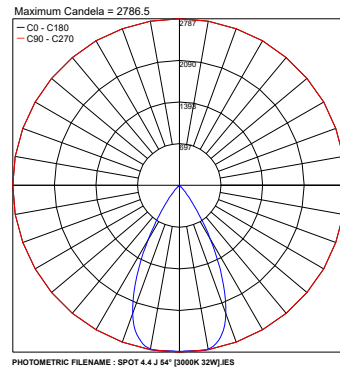
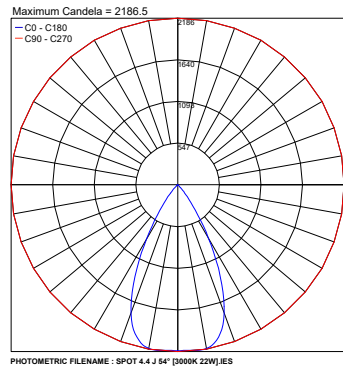
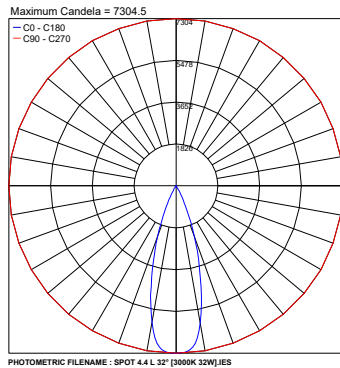
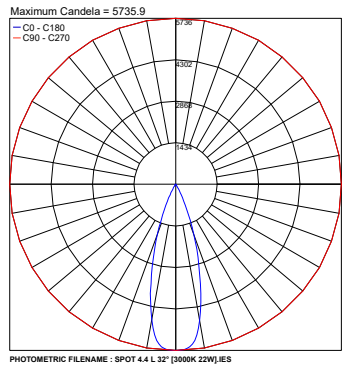
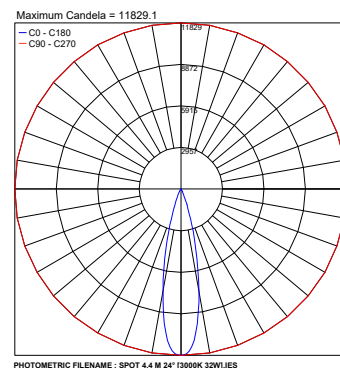
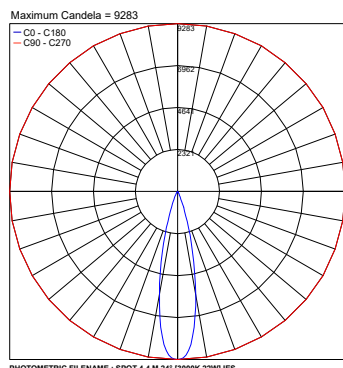
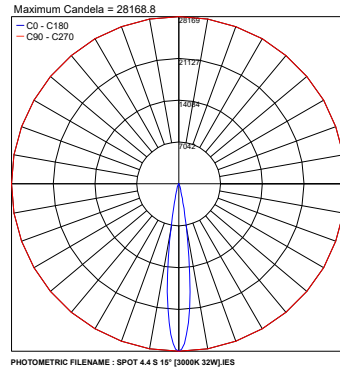
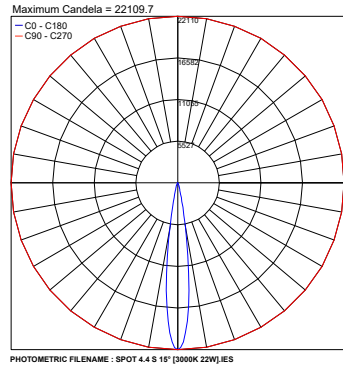
WB1102E - White
WB1102H - Anthracite
 Asymmetrical Snoot

Job Name/Date:

Fixture Type Designation:

PHOTOMETRIC DATA

Note all photometry in 3000K



Job Name/Date:

Fixture Type Designation: