

# SPOT 4.4

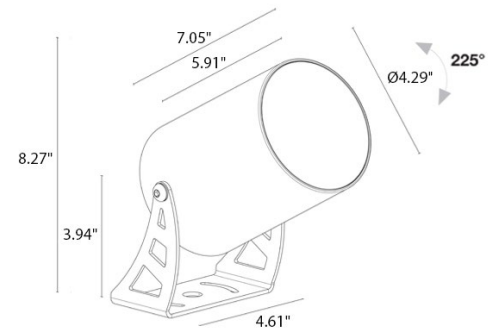
The Spot 4.4 is a surface mounted, outdoor rated, compact floodlight. Available in white light with 4 optic options and 2 standard finishes. Not suitable for swimming pools or fountains.



## TECHNICAL DATA

<b>Wattage / Input</b>	22W (24VDC)
<b>Power Supply</b>	Remote, not included. See page 2
<b>Construction</b>	Body/Bracket: Anticorodal Aluminum, Aluminum Lens: Transparent, Tempered Extra-Clear Glass Cable Length: 4.9' standard
<b>CCT</b>	2700K, 3000K, 4000K
<b>CRI</b>	80
<b>BUG Rating</b>	B2-U1-G0 (4000K, 24°) Other BUG Ratings available in IES Reports
<b>Delivered Lumens</b>	1923 lm (3000K, 15°, 22W)
<b>Efficacy</b>	87.4 lm/W (3000K, 15°, 22W)
<b>Optics</b>	4 Standard (see below)
<b>Finishes</b>	2 Standard, Custom RAL
<b>Fixture Dimensions</b>	Ø4.29" x 7.05" l x 8.27" h
<b>Fixture Weight</b>	5.51 lbs
<b>LED Source</b>	1 COB LED
<b>Lumen Maintenance</b>	L90, B10 >50,000hrs (Ta 25°C)
<b>Color Consistency</b>	2-Step MacAdam
<b>Operating Temp.</b>	-4°F to +113°F
<b>IP Rating</b>	IP66
<b>IK Rating</b>	IK08

Fixture Dimensions



## ORDERING INFORMATION

Example: CF44100009ME. Accessories / Power Supplies ordered separately.

CF44100000			
Model No.	CCT	Optics	Finish
CF44100000	F - 2700K 5 - 3000K 9 - 4000K	S - 15° M - 24° L - 32° J - 54°	H - Anthracite E - White C - Custom RAL <i>(consult factory for "C")</i>

Job Name/Date:

Fixture Type Designation:

## SUGGESTED POWER SUPPLIES

24VDC

Part Number	Description	Input/Output	# of Fixtures 22W
<a href="#">PPLT00155</a>	Non-Dim	120VAC to 24VDC, 30W, Class 2	1-1
<a href="#">PPLT00709</a>	ELV/TRIAC & 0-10V Dimming to 5% and OFF	120-277VAC to 24VDC, 96W, Class 2, DAMP	1-3
<a href="#">PPLT00543</a>	0-10V Dimming to 15% (-40°C / -40°F cold weather start)	120-277VAC to 24VDC, 100W, Class 2	1-3

For other power supply options consult factory.

## ACCESSORIES - Installation



**WP0300**

Ground Spike (15.6")

## ACCESSORIES - Anti-Glare



**WB1101E - White**

**WB1101H - Anthracite**

Standard Snoot



**WB1102E - White**

**WB1102H - Anthracite**

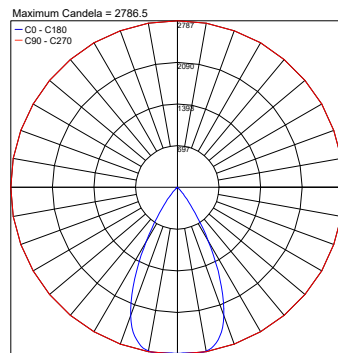
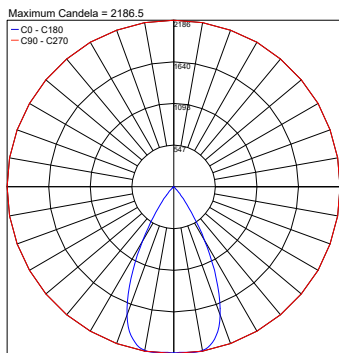
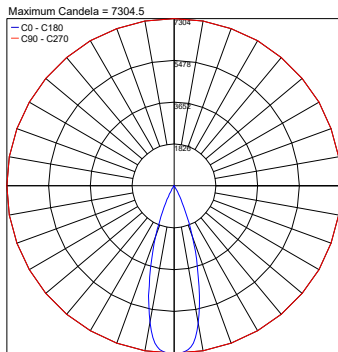
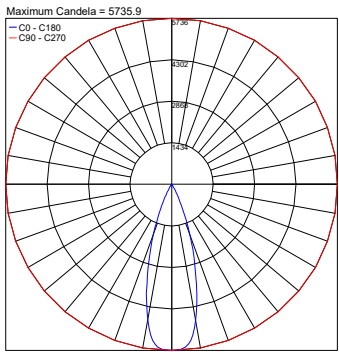
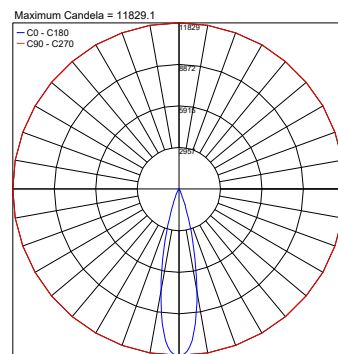
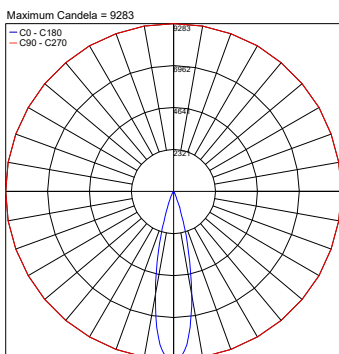
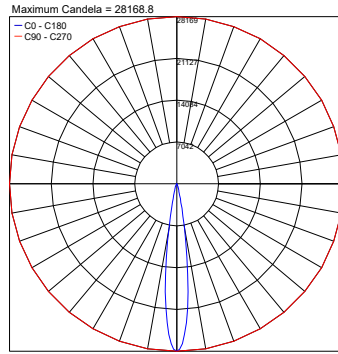
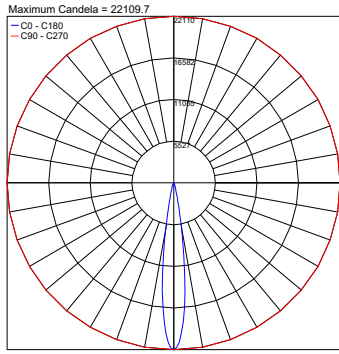
Asymmetrical Snoot

Job Name/Date:

Fixture Type Designation:

## PHOTOMETRIC DATA

Note all photometry in 3000K



Job Name/Date:

Fixture Type Designation: