

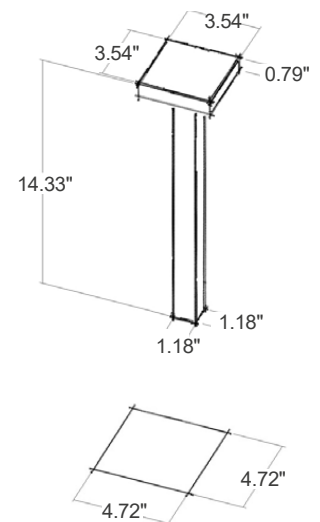
Spritz is a rechargeable table luminaire resistant to the elements and with high performance construction materials. It is made up of an aluminum head and steel stem whose base is magnetic, which connects with force to a metal surface or plate. It is available in 3000K with 3 level touch dimming and 6 standard finishes.

TECHNICAL DATA

Wattage	2.9W
Power Supply	Integral - Rechargeable using Power Cord Battery Autonomy >7 hours (device on full performance) and >10 hours (on first dimmable level of luminaire)
Construction	Head: Aluminum Stem: Steel (battery inside stem) Lens: Satin Acrylic (PMMA)
Dimming	Touch Dimming to 3 Levels - Integral
CCT	3000K
BUG Rating	B0-U3-G0
Delivered Lumens	360 lm (3000K)
Efficacy	124.1 lm/W
Optics	Diffuse
Finishes	6 Standard, See Below
Fixture Dimensions	Head: 3.54" x 3.54" x 0.79" h Stem: 1.18" x 1.18" x 14.33" h Metal Base: 4.72" x 4.72" x 0.08" h
Color Consistency	<3-Step MacAdam
IP Rating	IP55
Impact Resistance	IK07



Fixture Dimensions



ORDERING INFORMATION

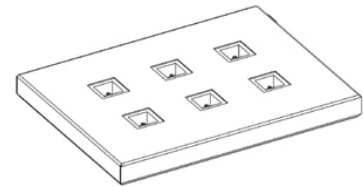
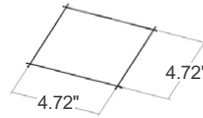
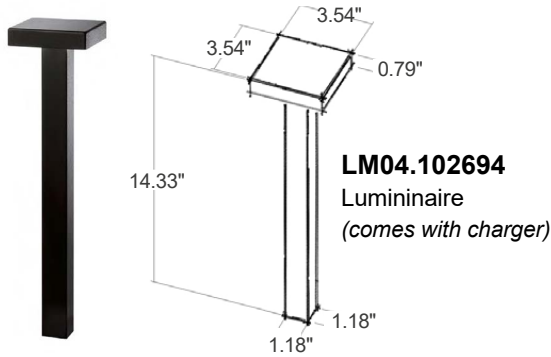
Example: LM04.102694.US.04.BP.

		BP
Model No.	Finish	CCT
LM04.102390D.US - Single Version Kit (Luminaire, Metal Base, Battery Charger)	01 - White	BP - 3000K
LM04.102694.US - Separate Fixture (No Metal Base, Battery Charger)	02 - Black	
	03 - Aluminum	
Accessories (see more on page 2)	04 - Cor-ten	
LM20.102503.US - Metal Base (For the non-magnetic surface)	05 - Satin Stainless	
LM04.102695.US - Multiple Battery Charger (Up to 6 luminaires)	11 - Anthracite	

Job Name/Date:

Fixture Type Designation:

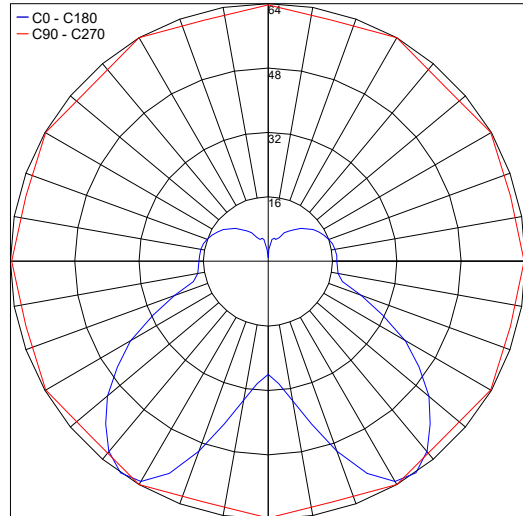
SEPARATE COMPONENTS



PHOTOMETRIC DATA

Note: All photometric data is 3000K

Maximum Candela = 64.2



PHOTOMETRIC FILENAME : SPRITZ SINGLE LM04.102390.XX.XX.IES

Job Name/Date:

Fixture Type Designation: