

# STEP OUTSIDE 5.1

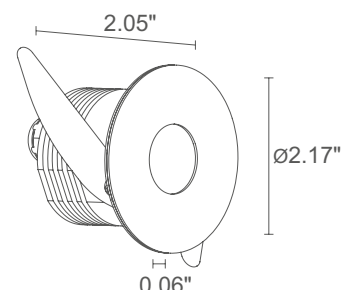
The Step Outside 5 & 6 series are recessed LED wall-mounted spotlights, ideal for pathway and stair lighting. Available in 5 different styles (round and square) and 4 standard finishes.

## TECHNICAL DATA

<b>Wattage / Input</b>	2W (500mA)
<b>Power Supply</b>	Remote, not included. See page 2.
<b>Construction</b>	Body: Aluminum Trim: Stainless Steel Lens: Transparent Plexiglass Cable Length: 4.92' standard
<b>CCT</b>	2700K, 3000K, 4000K, 5000K, Blue
<b>CRI</b>	>80
<b>Delivered Lumens</b>	34 lm (3000K, 500mA)
<b>Efficacy</b>	17 lm/W
<b>Optics</b>	Asymmetric
<b>Finishes</b>	White, Black, Cor-ten, Satin, Custom RAL (see below)
<b>Cut-Out Dimensions</b>	Ø1.77"
<b>Fixture Dimensions</b>	Ø2.17" x 2.05" h
<b>Fixture Weight</b>	0.53 lbs
<b>LED Source</b>	1 Power LED
<b>Lumen Maintenance</b>	L90,B10 >50,000hrs (Ta 25°C)
<b>Color Consistency</b>	1/4 ANSI BIN
<b>Operating Temp.</b>	-4°F to +113°F
<b>IP Rating</b>	IP65
<b>Impact Rating</b>	—
<b>JA8</b>	Exempt



Wall Cut-Out: Ø1.77"  
Fixture Dimensions  
Ø2.17" x 2.05" h



## ORDERING INFORMATION

Example: SP51129AAE or SP51129AAE-4. Accessories / Power Supplies ordered separately.

SP5112		A		
Model No.	CCT	Optics	Finish	Cable Length
SP5112	F - 2700K 5 - 3000K 9 - 4000K 0 - 5000K 1 - Blue	A - Asymmetric	AE - White AN - Black AT - Cor-ten AS - Satin C - Custom RAL (consult factory for "C")	4.92' standard 1 - 16.40' 2 - 32.81' 3 - 49.21' 4 - 65.62'

Job Name/Date:

Fixture Type Designation:

## SUGGESTED POWER SUPPLIES

500mA

Part Number	Description	Input/Output	# of Fixtures
<a href="#">PPLT00497</a>	Phase Dim (120V only)	120VAC to 500mA, 12W, Class 2	2-6
<a href="#">PPLT00465-P</a>	0-10V Dimming to 1.0%	120-277VAC to 500mA, 20W, Class 2	1-10
<a href="#">PPLT00309-P</a>	0-10V Dimming to 0.1%	120-277VAC to 500mA, 50W, Class 2	1-16
<a href="#">PPLT00538-P</a>	0-10V Dimming to 0.1%	120-277VAC to 500mA, 100W, Class 2	1-48

## Suggested Lutron Compatible

Part Number	Option	Lutron SKU	Dim Range	Description	Input/Output	# of Fixtures
<a href="#">PPLT00259</a>	L3DAE / L3DA3W	L3DA	100%-1%	Hi-Lume™ 1% EcoSystem™ or 1% 3-Wire LED Driver	120-277VAC to 500mA, 10W, Class 2	4-5
<a href="#">PPLT00195</a>	L3DAE / L3DA3W	L3DA	100%-1%	Hi-Lume™ 1% EcoSystem™ or 1% 3-Wire LED Driver	120-277VAC to 500mA, 19W, Class 2	6-9
<a href="#">PPLT00180</a>	L3DAE / L3DA3W	L3DA	100%-1%	Hi-Lume™ 1% EcoSystem™ or 1% 3-Wire LED Driver	120-277VAC to 500mA, 27W, Class 2	12-13

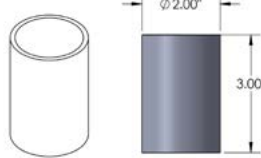
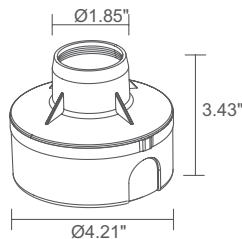
For other power supply options consult factory.

## ACCESSORIES

### Installation



**WC1501**  
Outer Casing



**PPMP03113**  
Core Drilled  
Application Sleeve

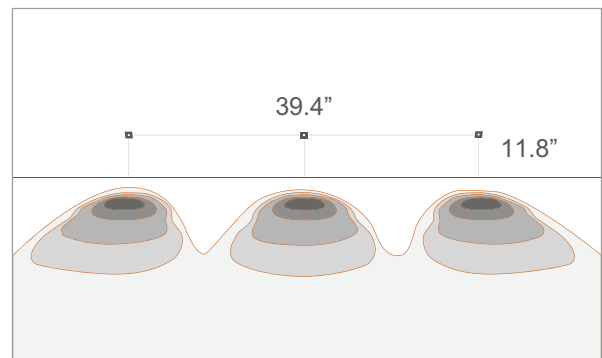
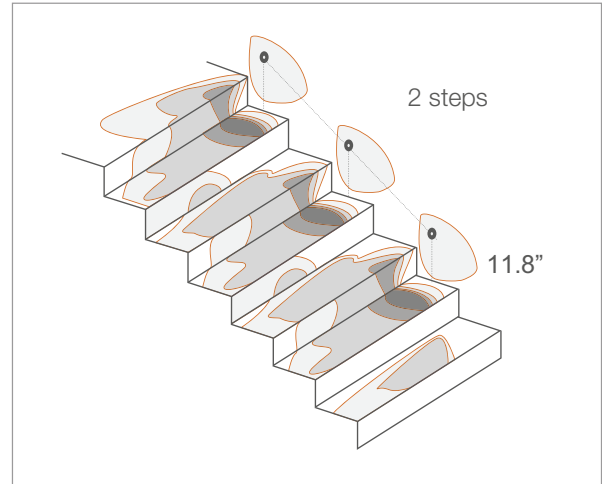
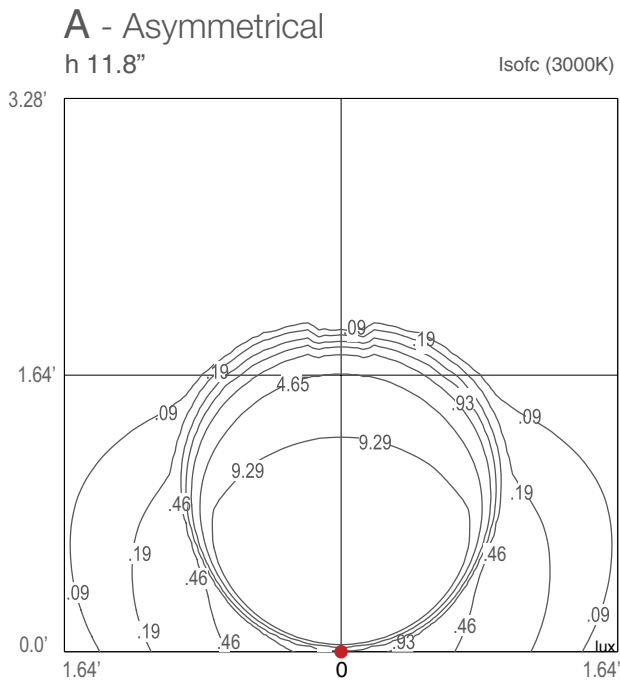
Job Name/Date:

Fixture Type Designation:

# STEP OUTSIDE 5.1

## PHOTOMETRIC DATA

Note all Photometry is 3000K



Job Name/Date:

Fixture Type Designation: