

STEP OUTSIDE 8.0

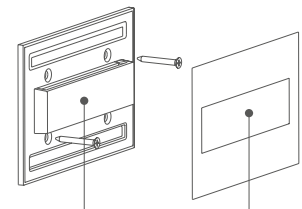
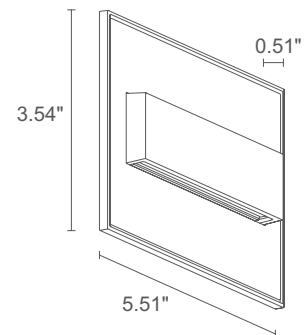
The Step Outside 8 is a surface mount wall-mounted luminaire, ideal for lighting pathways and stairs. Available in 5 fixture finishes and 2 coverplate finishes.



TECHNICAL DATA

Wattage / Input	2W (24VDC)
Power Supply	Remote, not included. See page 2.
Construction	Body: Die-Cast Aluminum Lens: Transparent Polycarbonate
CCT	3000K, 4000K, 5000K
CRI	>80
Delivered Lumens	8 lm (3000K, 500mA) per beam
Efficacy	4 lm/W
Optics	Diffuse
Finishes	5 Standard Fixture Finishes, 2 Standard Coverplate Finishes, Custom RAL (see below)
Fixture Dimensions	5.51" l x 0.51" w x 3.54" h
Fixture Weight	0.44 lbs
LED Source	1 Power LED
Lumen Maintenance	L90,B10 >50,000hrs (Ta 25°C)
Color Consistency	1/4 ANSI BIN
Operating Temp.	-4°F to +113°F
IP Rating	IP65
Impact Rating	—
JA8	Exempt

Fixture Dimensions
5.51" l x 0.51" w x 3.54" h



Fixture: white, grey, cor-ten, anthracite

Coverplate: white or stainless steel

ORDERING INFORMATION

Example: SP80009AE. Accessories / Power Supplies ordered separately.

SP8000		
Model No.	CCT	Finish (Fixture / Coverplate)
SP8000	5 - 3000K	AW - White / White
	9 - 4000K	AE - White / Stainless Steel
	0 - 5000K	AF - Grey / Stainless Steel
		AT - Cor-ten / Stainless Steel
		AH - Anthracite / Stainless Steel
	C - Custom RAL (consult factory for "C")	

Job Name/Date:

Fixture Type Designation:

SUGGESTED POWER SUPPLIES

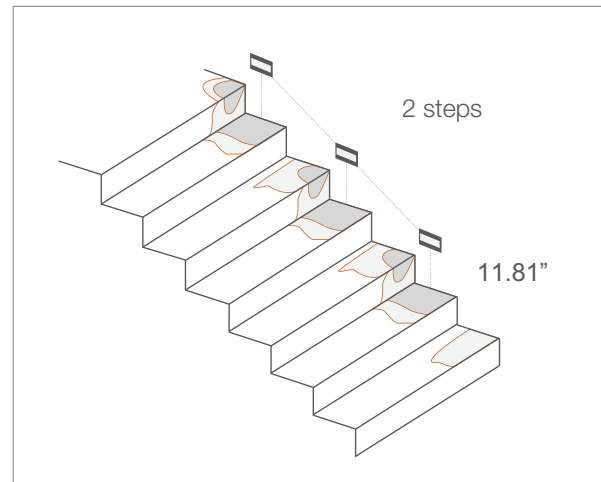
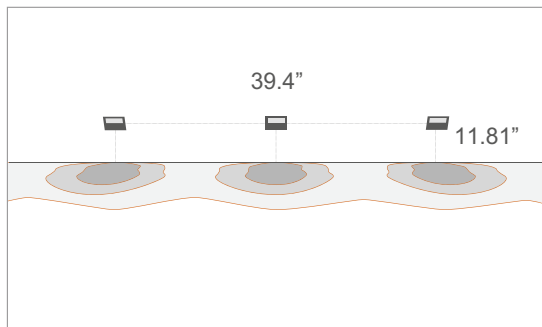
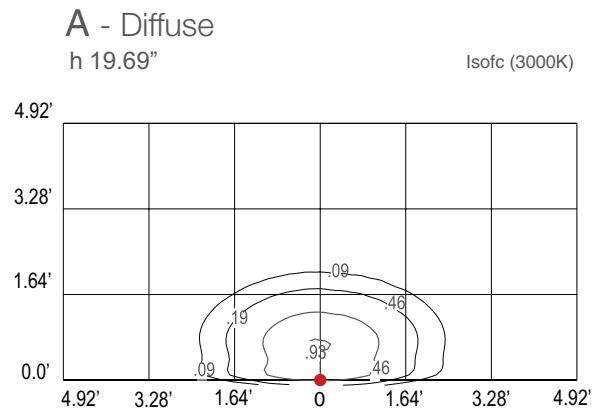
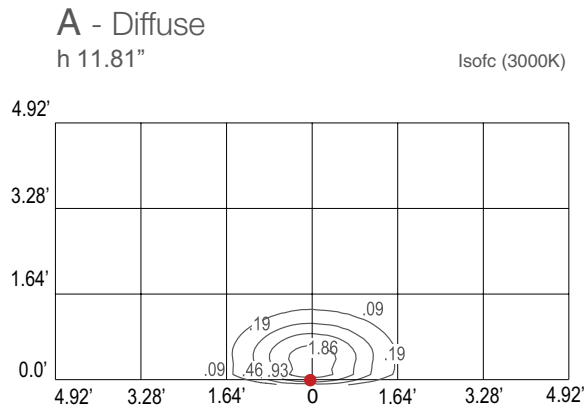
24VDC

Part Number	Description	Input/Output	# of Fixtures
PPLT00275	Non-Dim	120-277VAC to 24VDC, 12W, Class 2, IP66	1-4
PPLT00632	0-10V Dimming (Dim to Off)	120-277VAC to 24VDC, 12W, Class 2	1-4
PPLT00056	Non-Dim	120-277VAC to 24VDC, 26W, Class 2, IP66	1-10
PPLT00157	Non-Dim	120VAC to 24VDC, 60W, Class 2	1-24
PPLT00158	Non-Dim	120VAC to 24VDC, 100W, Class 2	1-40
PPLT00543	0-10V Dimming to 15% (-40°C / -40°F cold weather start)	120-277VAC to 24VDC, 100W, Class 2	5-40

For other power supply options consult factory.

PHOTOMETRIC DATA

Note all Photometry is 3000K



Job Name/Date:

Fixture Type Designation: