

STRIPP IP54

OUTDOOR

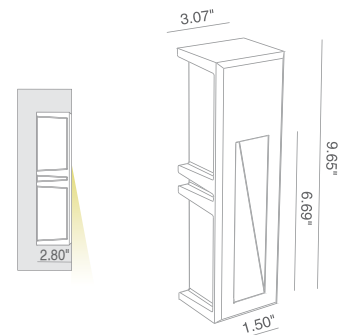
Stripp IP54 is a recessed long and narrow fixture made of CALCYT® plaster that can be used as an up- or downlight and is equipped with state of the art LED technology. It is available in 5 color temperatures and can be directly installed in solid walls as well as in gypsum walls by means of an optional plasterkit.



TECHNICAL DATA

Wattage / Input	1W, 2W, 4W (350mA)
Power Supply	Remote, not included. See page 2.
Construction	Body: CALCYT® Plaster
CCT	2200K, 2700K, 3000K, 4000K, Royal Blue
CRI	>90, >80
Delivered Lumens	46 lm (1W, 3000K)
Efficacy	46 lm/W (1W, 3000K)
Optics	Fixed
Finishes	CALCYT® Plaster - fully paintable
Fixture Dimensions	3.07" w x 9.65" h x 2.80" l
Cut-out Dimension	3.27" x 9.80"
Aperature	1.50" w x 6.69" h
Color Consistency	3-Step MacAdam
IP Rating	IP54

Ceiling Cut-Out: 3.27" x 9.80"
Fixture Dimensions



ORDERING INFORMATION

Example: 144 60 505. Accessories / Power Supplies ordered separately.

--

Model No.	Description
144 60 505 - 2200K	1W, 100 lm, CRI 80, IP54 Outdoor
144 60 005 - 2700K	1W, 100 lm, CRI 90, IP54 Outdoor
144 60 105 - 3000K	1W, 100 lm, CRI 90, IP54 Outdoor
144 60 205 - 4000K	1W, 100 lm, CRI 90, IP54 Outdoor
144 60 305 - royal blue	1W, 100 lm, CRI 90, IP54 Outdoor
144 62 505 - 2200K	2W, 200 lm, CRI 80, IP54 Outdoor
144 62 005 - 2700K	2W, 200 lm, CRI 90, IP54 Outdoor
144 62 105 - 3000K	2W, 200 lm, CRI 90, IP54 Outdoor
144 62 205 - 4000K	2W, 200 lm, CRI 90, IP54 Outdoor
144 62 305 - royal blue	2W, 200 lm, CRI 90, IP54 Outdoor
144 61 505 - 2200K	4W, 400 lm, CRI 80, IP54 Outdoor
144 61 005 - 2700K	4W, 400 lm, CRI 90, IP54 Outdoor
144 61 105 - 3000K	4W, 400 lm, CRI 90, IP54 Outdoor
144 61 205 - 4000K	4W, 400 lm, CRI 90, IP54 Outdoor
144 61 305 - royal blue	4W, 400 lm, CRI 90, IP54 Outdoor

Job Name/Date:

Fixture Type Designation:

SUGGESTED POWER SUPPLIES

350mA

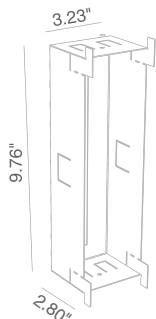
Part Number	Description	Input/Output	# of Fixtures		
			1W	2W	4W
PPLT00138	0-10V Dimming to 10%	120-277VAC to 350mA, 4W, Class 2	2-3	1-1	N/A
PPLT00496	Phase Dim (120V only)	120VAC to 350mA, 12W, Class 2	3-9	2-6	1-3
PPLT00480-P	0-10V Dimming to 1.0%	120-277VAC to 350mA, 30W, Class 2	1-16	1-9	1-4
PPLT00309-P	0-10V Dimming to 0.1%	120-277VAC to 350mA, 50W, Class 2	1-16	1-9	1-4
PPLT00538-P	0-10V Dimming to 0.1%	120-277VAC to 350mA, 100W, Class 2	1-68	1-40	1-16

Suggested Lutron Compatible

Part Number	Option	Lutron SKU	Dim Range	Description	Input/Output	# of Fixtures		
						1W	2W	4W
PPLT00247	L3DAE / L3DA3W	L3DA	100%-1%	Hi-Lume™ 1% EcoSystem™ or 1% 3-Wire LED Driver	120-277VAC to 350mA, 7W, Class 2	4-5	2-3	1-1
PPLT00516	L3DAE / L3DA3W	L3DA	100%-1%	Hi-Lume™ 1% EcoSystem™ or 1% 3-Wire LED Driver	120-277VAC to 350mA, 13W, Class 2	6-11	3-6	2-3
PPLT00179	L3DAE / L3DA3W	L3DA	100%-1%	Hi-Lume™ 1% EcoSystem™ or 1% 3-Wire LED Driver	120-277VAC to 350mA, 19W, Class 2	12-16	6-9	3-4

For other power supply options consult factory.

REQUIRED ACCESSORIES - Installation



744 01 000
Outer Casing
Housing: perforated aluminum

Job Name/Date:

Fixture Type Designation:

STRIPP IP54

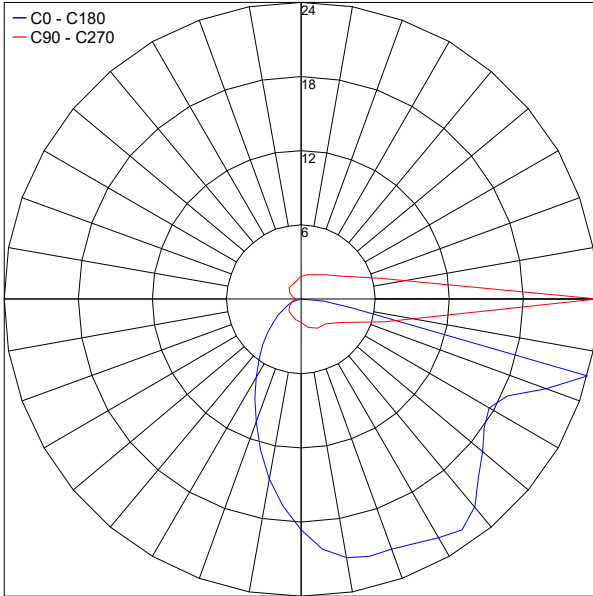
OUTDOOR

PHOTOMETRIC DATA

Note all Photometry is 3000K

1W

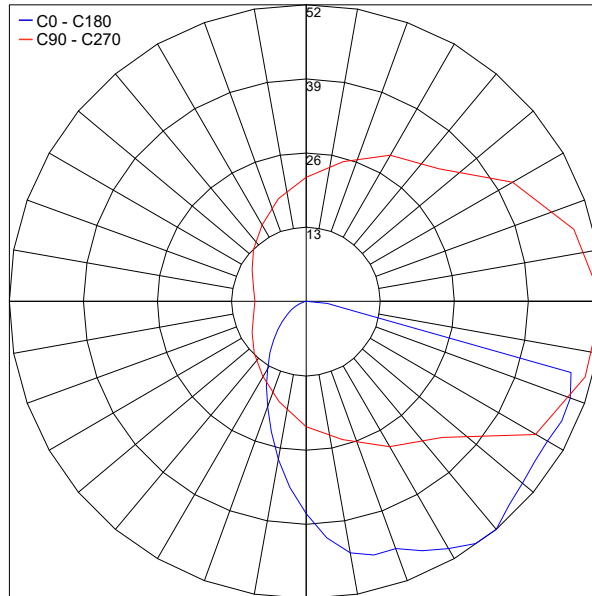
Maximum Candela = 24.14



PHOTOMETRIC FILENAME : STRIPP (100LM, CRI90).IES

2W

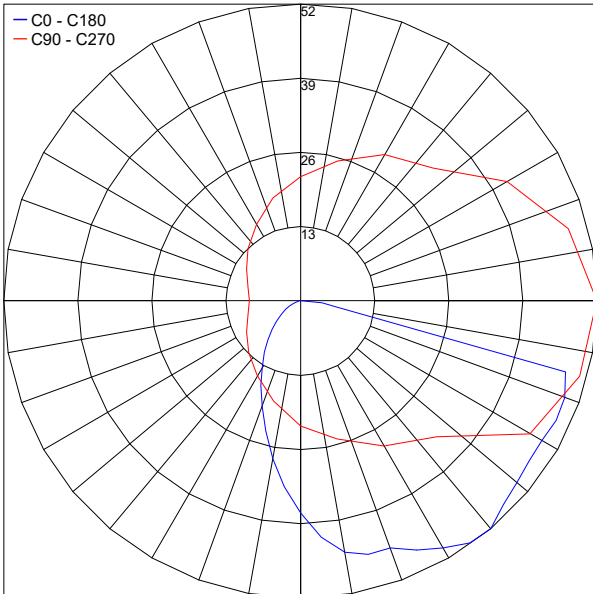
Maximum Candela = 51.84



PHOTOMETRIC FILENAME : STRIPP (200LM, 3000K, CRI90).IES

4W

Maximum Candela = 51.84



PHOTOMETRIC FILENAME : STRIPP (200LM, 3000K, CRI90).IES

Job Name/Date:

Fixture Type Designation: