

SUPERNOVA



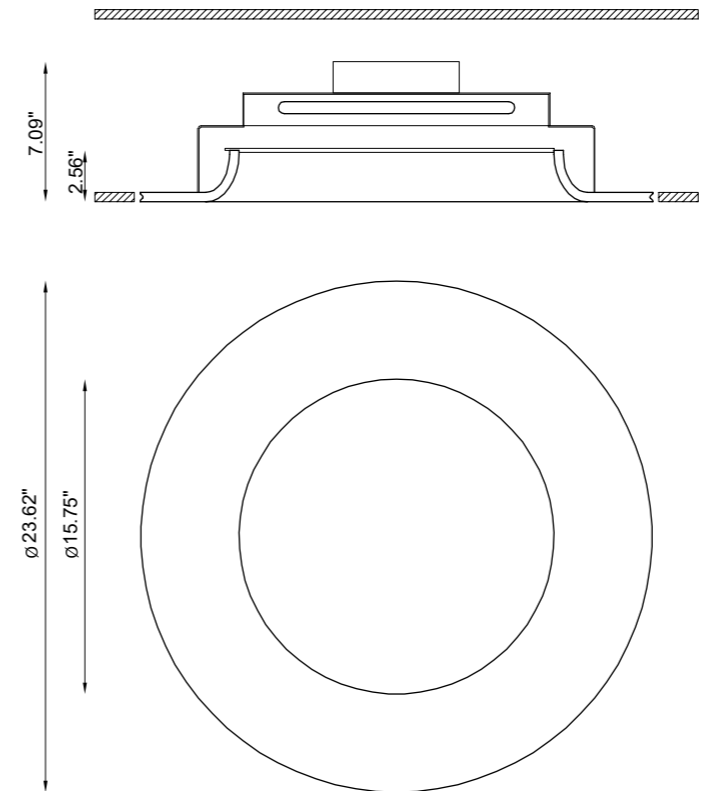
A bright explosion, a detail of light that suddenly stands out in the spaces, illuminating in a decisive way. Supernova is a totally disappearing direct light recessed indoor luminaire made of AirCoral®, installable on plasterboard ceilings, perfect to enlighten architectural details. The rounded light hole creates a decisive light to enhance the plasticity of the ceiling, satisfying the contemporary architectural requests.

designplan® 




79 Trenton Avenue
Frenchtown, NJ 08825

www.designplan.com

Tel: (908) 996-7710
Fax: (908) 996-7042



TECHNICAL FEATURES

| | |
|--------------------------|--|
| Code | BU5133.AC.US |
| Type | Downlight 90°  |
| Material | AC: AirCoral® |
| Absorption capacity* | 226.47 ft ² |
| Weight | 19.84 lbs |
| Mounting | Ceiling recessed |
| IP rating | IP40 |
| Control gear | Constant current electronic driver |
| Cut out for plasterboard | Ø 25.98" |
| Lamp type | LED 700mA  |
| Lamp wattage | 20W |
| Delivered lumens | 2750 lm |
| Light distribution | Wide beam 120° |
| Light color | White 3000K |
| Light hole | Ø 15.75" |
| CRI | >90  |

* The absorption capacity per ft³ calculated by the American organization TCNA (Tile Council of North America) is measured for an average room of 8.86' in height and therefore expressed in ft²