



INSTRUCTIONS PERTAINING TO RISK OF FIRE OR INJURY TO PERSONS. READ ALL INSTRUCTIONS. IMPORTANT SAFETY INSTRUCTIONS. SAVE THESE INSTRUCTIONS.

DANGER - RISK OF SHOCK - DISCONNECT POWER BEFORE INSTALLATION! Please read all instructions before installation.

- Keep these instructions for future reference.
- Must be installed by a qualified electrician in accordance with national and local standards. Designplan is not responsible for fixtures installed without regard to these standards.
- The main power connection must be in accordance with local electrical codes.
- Unauthorized alterations or tampering of product voids warranty.
- Suitable for OUTDOOR applications.



ATTENTION: For Wall/Ceiling - It is the contractor's responsibility to caulk around all the edges between the fixture and the mounting surface to satisfy wet label requirements.

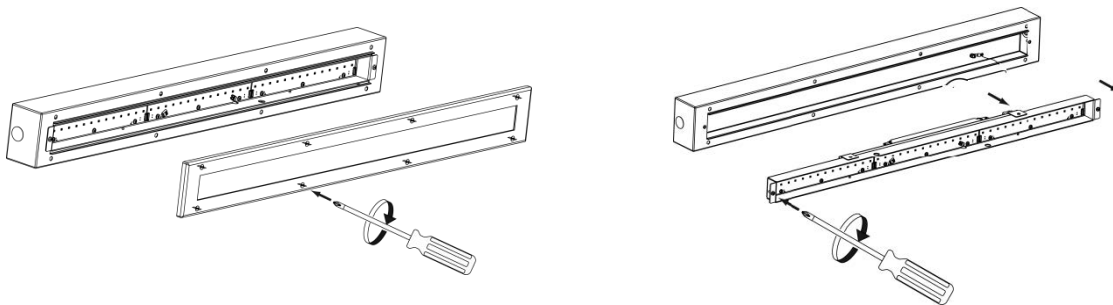
Maintenance

Scheduled maintenance must be carried out once a year on all lighting devices, regardless of appliance class and type of use. It must include the following operations:

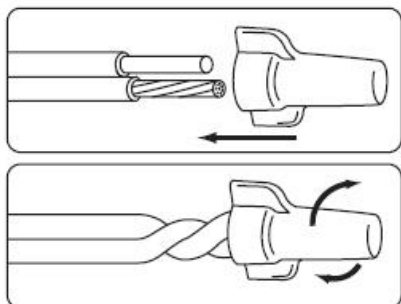
- Periodically clean fixtures to remove dirt from gratings and screw heads.
- Check tightness of screws on various parts of the device.
- Check that all cable glands and cables are intact and tight. Check that the glass or plastic screen is intact, and replace it if broken or damaged.
- The internal components such as the ballast, driver, washers and screws must not show clear signs of oxidation or rust. Clear traces of rust and oxidation will indicate the presence of water inside the device.
- In the case of damage, the components must be replaced by original components or spare parts.

Fixture Installation

- The lighting fixture comes fully assembled.
- Remove the lens assembly and the tray and connect the body to the standard outlet box or utilize the end conduit entries.
- Designplan requires the contractor utilize the four mounting holes in the back of the body to mount to the structure as well. It is the contractor's responsibility to supply proper anchorage based on job conditions.
- It is also the contractor's responsibility to caulk the back of the fixture in order to satisfy wet label requirements. Installation contractor to provide any and all conduit components when using any conduit entry to ensure wet label rating is maintained.



- Unplug the amp connector. Make supply lead connections in the body using the female amp connector. CONNECT GREEN WIRE TO "GROUND", CONNECT BLACK FIXTURE TO BLACK BUILDING WIRE AND CONNECT WHITE FIXTURE WIRE TO WHITE BUILDING WIRE. Plug amp connector back together.
- FOR 0-10V DIMMING APPLICATIONS THE RED IS THE POSITIVE (+) AND THE ORANGE IS NEGATIVE (-). IF DIMMING IS NOT REQUIRED SIMPLY CAP OFF ENDS.
- Secure the LED tray inside the body.
- Affix the lens assembly over the housing.



- Use gel-filled waterproof wire-nuts for wire connections.