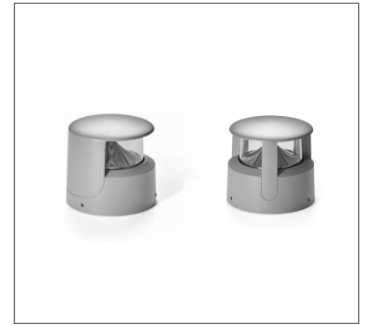




**INSTRUCTIONS PERTAINING TO RISK OF FIRE OR INJURY TO PERSONS. READ ALL INSTRUCTIONS. IMPORTANT SAFETY INSTRUCTIONS. SAVE THESE INSTRUCTIONS.**

**DANGER - RISK OF SHOCK - DISCONNECT POWER BEFORE INSTALLATION! Please read all instructions before installation.**

- Keep these instructions for future reference.
- Must be installed by a qualified electrician in accordance with national and local standards. Designplan is not responsible for fixtures installed without regard to these standards.
- Unauthorized alterations or tampering of product voids warranty.
- The main power connection must be in accordance with local electrical codes.
- Suitable for OUTDOOR applications.



**IP66**

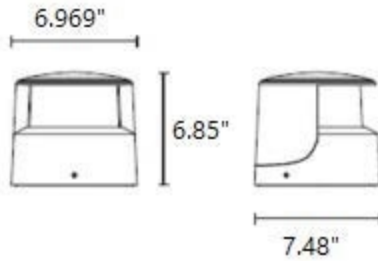
**ATTENTION: For Surface** - It is the contractor's responsibility to caulk around all the edges between the fixture and the mounting surface to satisfy wet label requirements.

## Maintenance

Scheduled maintenance must be carried out once a year on all lighting devices, regardless of appliance class and type of use. It must include the following operations:

- Periodically clean fixtures to remove dirt from gratings and screw heads.
- Check tightness of screws on various parts of the device.
- Check that all cable glands and cables are intact and tight. Check that the glass or plastic screen is intact, and replace it if broken or damaged.
- The internal components such as the ballast, driver, washers and screws must not show clear signs of oxidation or rust. Clear traces of rust and oxidation will indicate the presence of water inside the device.
- In the case of damage, the components must be replaced by original components or spare parts.

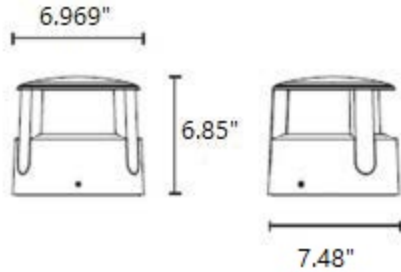
## COD. 6020101



### TRON 180

- Power consumption : 26W
- Voltage : 220-240V 50/60Hz
- Color Temperature : 3000K - 4000K
- Beam angle : 180°
- Insulation class: II
- IK rating : IK10
- IP protection: IP66
- Gross weight: 4kg

## COD. 602102

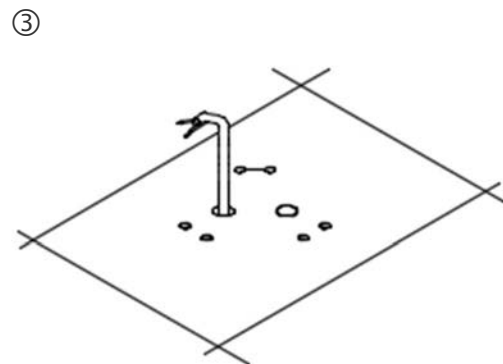
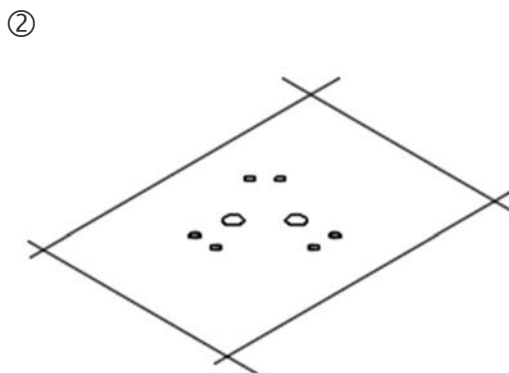
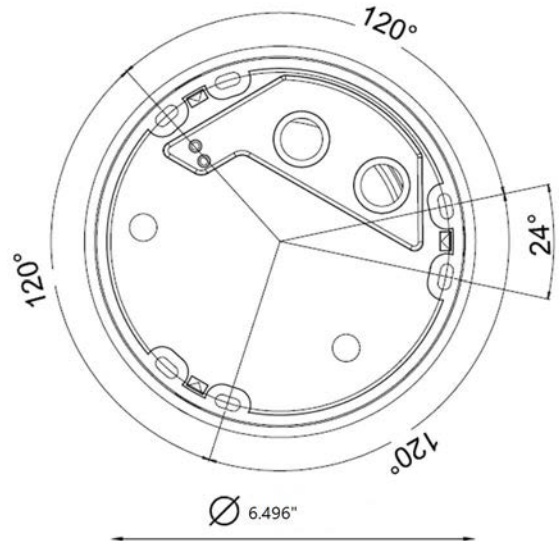
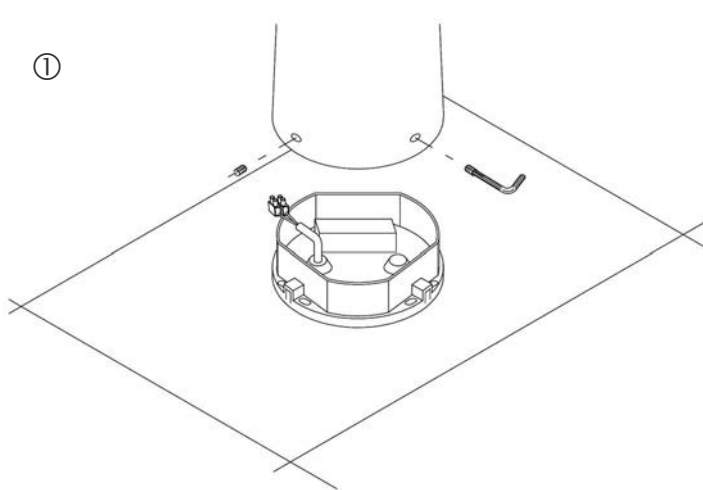


### TRON 360

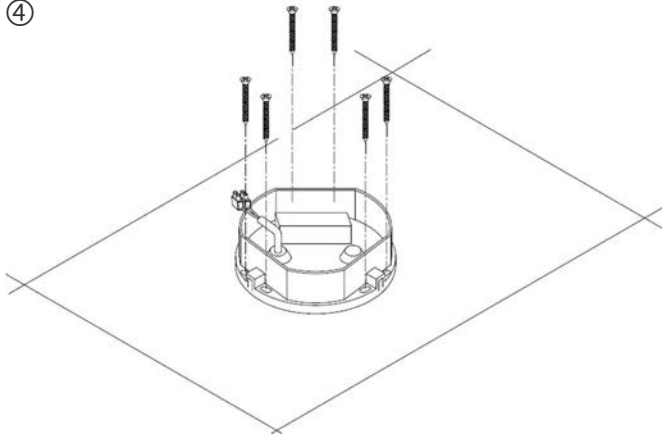
- Power consumption : 26W
- Voltage : 220-240V 50/60Hz
- Color Temperature : 3000K - 4000K
- Beam angle : 360°
- Insulation class: II
- IK rating : IK10
- IP protection: IP66
- Gross weight: 4kg

## Installation:

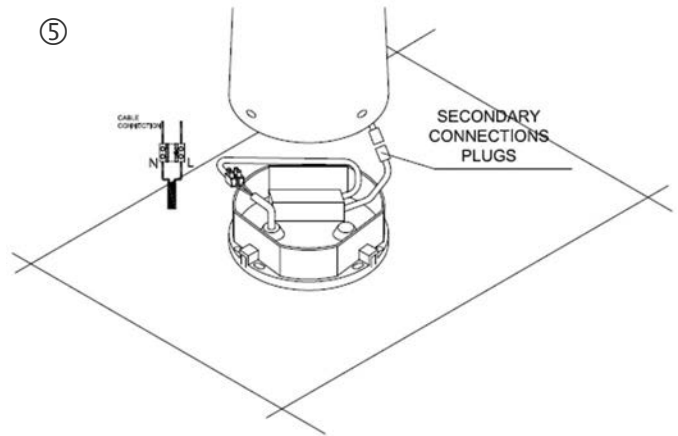
1. Loosen the support-screws in the base of the luminaire using the tool included in the package and remove the fixing plate=pic.1
2. Prepare holes in correspondence of the feeding point using fischer plugs (anchors) pic. 2-3
3. Fix the base to the designated surface by tighten the screws of the fischer plugs pic.4
4. Make the adequate electrical connection pic. 5
5. Place the luminaire by tighten the support-screws of the base using the tool included in the package pic. 6



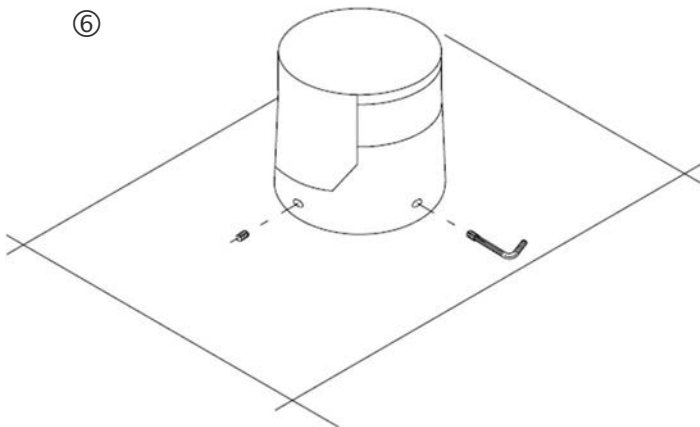
④



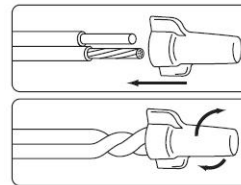
⑤



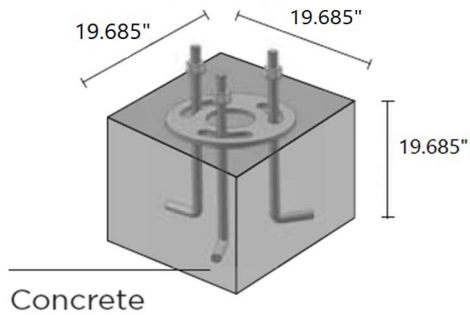
⑥



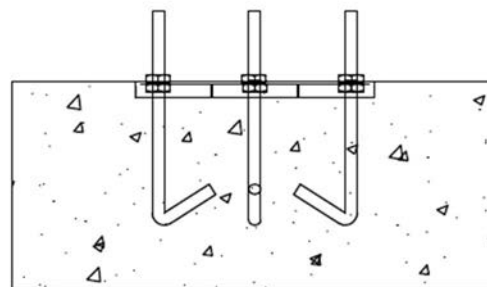
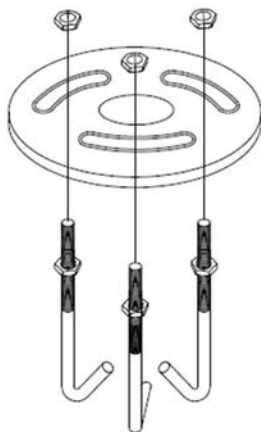
Use gell filled wire-nuts for wire connections.



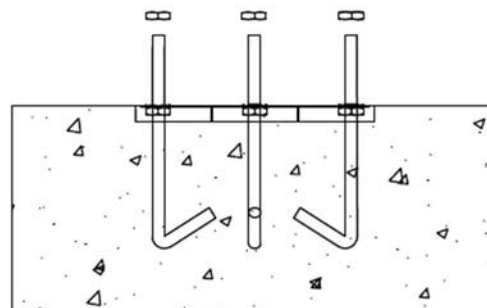
## COD. AC053 BASE PLATE



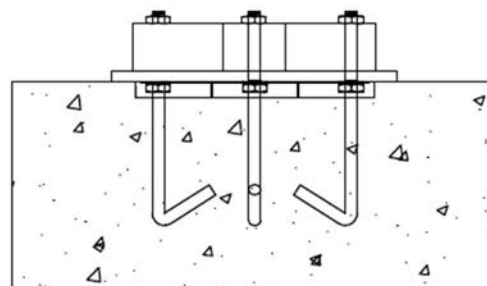
### STEEL BASE



1 PLACE THE BASE INTO CONCRETE BED



2 UNSCREW AND REMOVE 3 NUTS



3 INSERT THE PLASTIC BASE AND FIX IT USING 3 NUTS