

# TAGO 2.0, 2.1, 2.3

Tago is an adjustable, driveover-rated, linear profile that is suitable for architectural lighting of facades of historic and public buildings, hotels and residential exteriors. It is available in 3 lengths with a wide range of optics and 4 color temperatures. Tago 2 series is the recessed frameless version.



WALL WASHER VERSION

## TECHNICAL DATA

<b>Wattage</b>	14W, 24W, 51W
<b>Power Supply</b>	Integral 120-277VAC (0-10V Dimming)
<b>Construction</b>	Body: Anodized Anticorodal Aluminum Caps: Technopolymer Lens: Tempered, Serigraphed & Extra-Clear Glass Cable Length: 2 x 4.92'
<b>CCT</b>	2200K, 2700K, 3000K, 4000K
<b>CRI</b>	80
<b>BUG Rating</b>	B1-U1-G0 (Tago 2.0 - LV Optic 29°) B2-U1-G0 (Tago 2.1 - LV Optic 29°) B3-U1-G0 (Tago 2.3 - LV Optic 29°)
<b>Delivered Lumens</b>	See Chart on page 2.
<b>Efficacy</b>	See Chart on page 2
<b>Optics</b>	7 Available, see below
<b>Finishes</b>	Anodized Black (4 Stage Marine Grade Finish)
<b>Fixture Dimensions</b>	See Chart on page 2.
<b>Fixture Weight</b>	See Chart on page 2.
<b>Lumen Maintenance</b>	L80, B10>60,000hrs
<b>Color Consistency</b>	2-Step MacAdam, 3-Step MacAdam (2200K)
<b>Operating Temp.</b>	-4°F to +113°F
<b>IP Rating</b>	IP65, IP67, IP69
<b>Impact Rating</b>	IK09
<b>Driveover Capacity</b>	Up to 4409 lbs

## ORDERING INFORMATION

Example: TG2010020200N0LV. Accessories ordered separately.

Model No.	Optical Accessories	CCT	Optics
TG201002 - Tago 2.0 (14W)	00 - None	N0 - 2200K	SV - 11° adjustable ±20°
TG211002 - Tago 2.1 (24W)	01 - Honeycomb Louvre*	F0 - 2700K	MV - 17° adjustable ±20°
TG231002 - Tago 2.3 (51W)	02 - Anti-Glare Shield**	50 - 3000K	LV - 29° adjustable ±20°
	<b>NOTE:</b> *Honeycomb Louvre only available on the 29°, 69°, and 20°x49° optics.	90 - 4000K	KV - 69° adjustable ±20°
	**Anti-Glare Shield only available on the 17°, 29°, 69°, and 20°x49° optics.		WV - 20° x 49° adjustable ±20°
			GV - Wall Grazing adjustable ±20°
			AV - Wall Washer adjustable ±20°

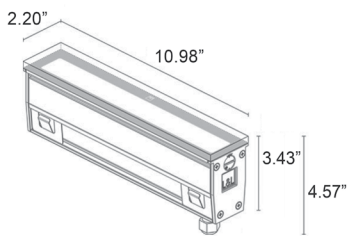
Job Name/Date:

Fixture Type Designation:

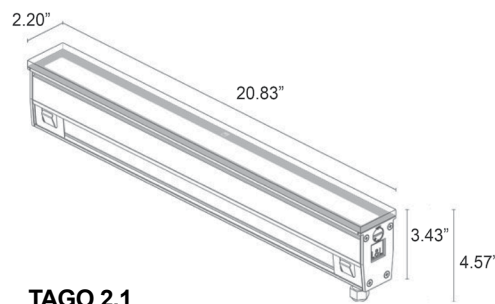
## TECHNICAL DATA

	TAGO 2.0	TAGO 2.1	TAGO 2.3
<b>Wattage</b>	14W	24W	51W
<b>Delivered Lumens (3000K)</b>	932 lm (29°)	1864 lm (29°)	3728 lm (29°)
<b>Efficacy</b>	66.6 lm/W	77.7 lm/W	73.1 lm/W
<b>Fixture Dim. (l,w,h)</b>	10.98" x 2.20" x 4.57"	20.83" x 2.20" x 4.57"	40.51" x 2.20" x 4.57"
<b>Alum. Outer Casing Dim. (l,w,h)</b>	11.14" x 2.48" x 5.91"	20.98" x 2.48" x 5.91"	40.67" x 2.48" x 5.91"
<b>Fixture Weight</b>	2.6 lbs	4.1 lbs	8.1 lbs
<b>LED Source</b>	12 SMD LEDs, spacing 0.82"	24 SMD LEDs, spacing 0.82"	48 SMD LEDs, spacing 0.82"

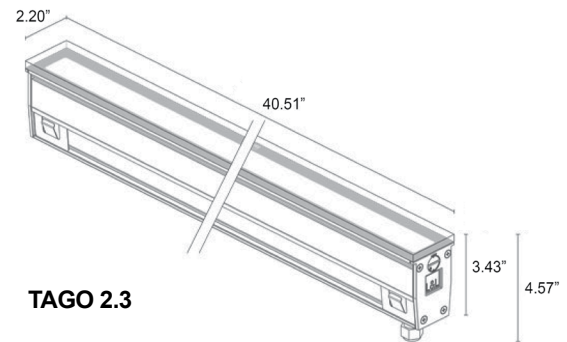
## FIXTURE DIMENSIONS



TAGO 2.0

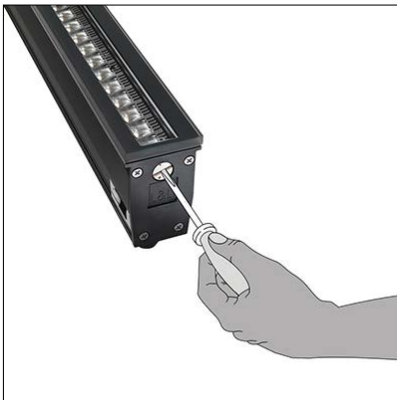


TAGO 2.1

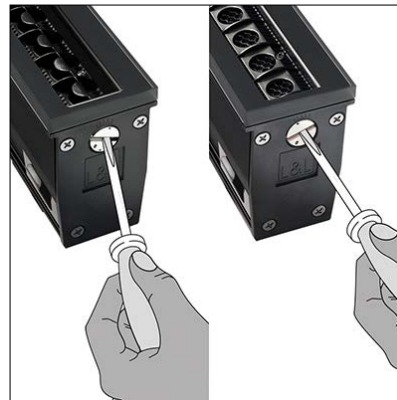


TAGO 2.3

## ADJUSTABILITY & ANTI-GLARE FEATURES



Tilting system is inside the optical unit. The light direction can be altered by  $\pm 20^\circ$  externally with a simple adjustment on the end caps, without compromising the fixture's IP65 or IP67 protection level.

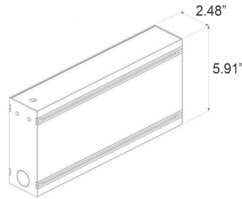


The honeycomb louvre or anti-glare shield, which can be ordered at the same time as the fixture, is mounted on the optical unit, so that the chosen option tilts together with the optics providing anti-glare solutions.

Job Name/Date:

Fixture Type Designation:

## ACCESSORIES - Installation



**WCTG20A0F** - Tago 2.0 (11.14")  
**WCTG21A0F** - Tago 2.1 (20.98")  
**WCTG23A0F** - Tago 2.3 (40.67")  
Outer Casing

## Spare Parts



**WN6005**  
Alignment Kit for Outer Casing



**WN6006**  
Pair of extractors  
for outer casings

## Wiring Materials



**WFA0005**  
16.40' 4-pin interconnect cable  
*required when daisy-chaining fixtures  
that are more than 4.9 ft apart*

**\*WFA04 & WFA0005  
must be ordered together**



**WFA0101**  
4.92' 4-Pin Interconnect Cable  
*required when daisy-chaining fixtures  
that are more than 4.9 ft apart*



**WFA02 - Included**  
IP68 'H' Type Three-Way Connector  
4-Pin (3.23" x 2.10" x 1.10")  
*For IP68 in/out connection*



**WFA03-US - REQUIRED, Not Included**  
3-Pin Female Connector  
*For IP66-IP68 in/out connection*



**WFA04-US**  
3-Pin Male Connector  
*required when daisy-chaining fixtures that  
are more than 4.9 ft apart*  
*For IP66-IP68 in/out connection*

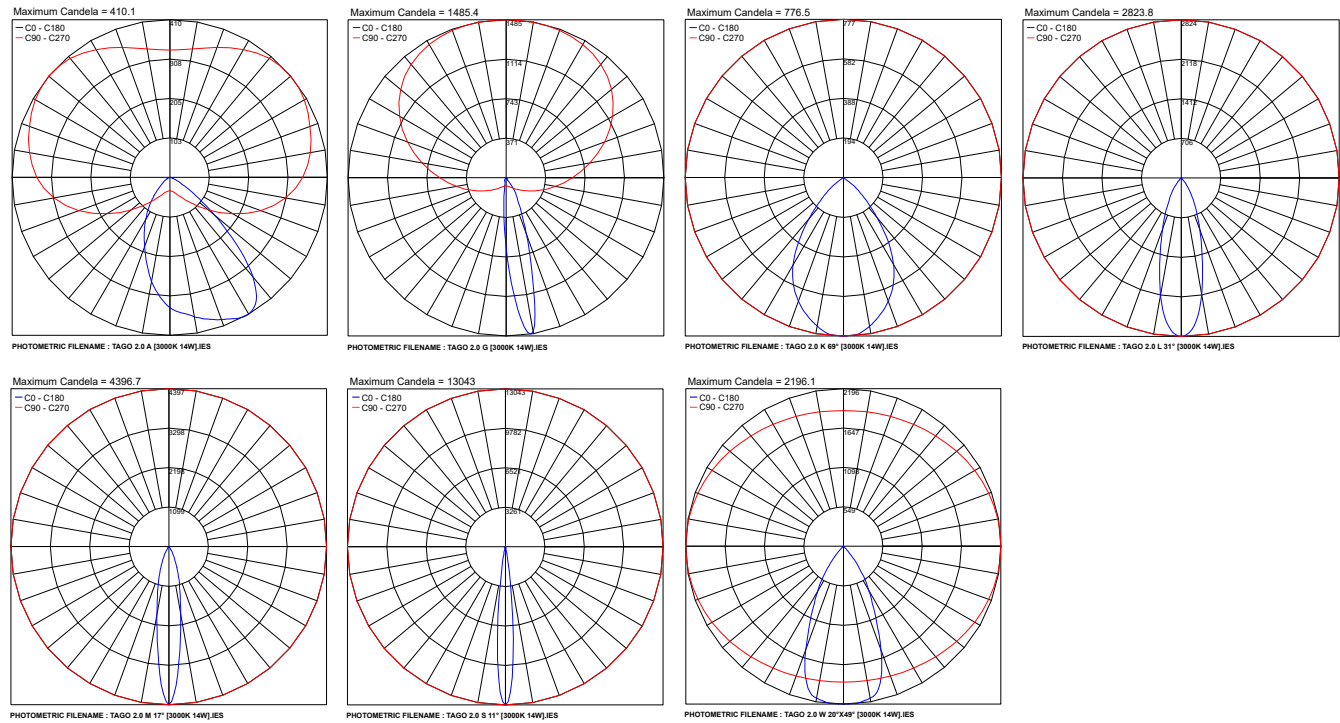
Job Name/Date:

Fixture Type Designation:

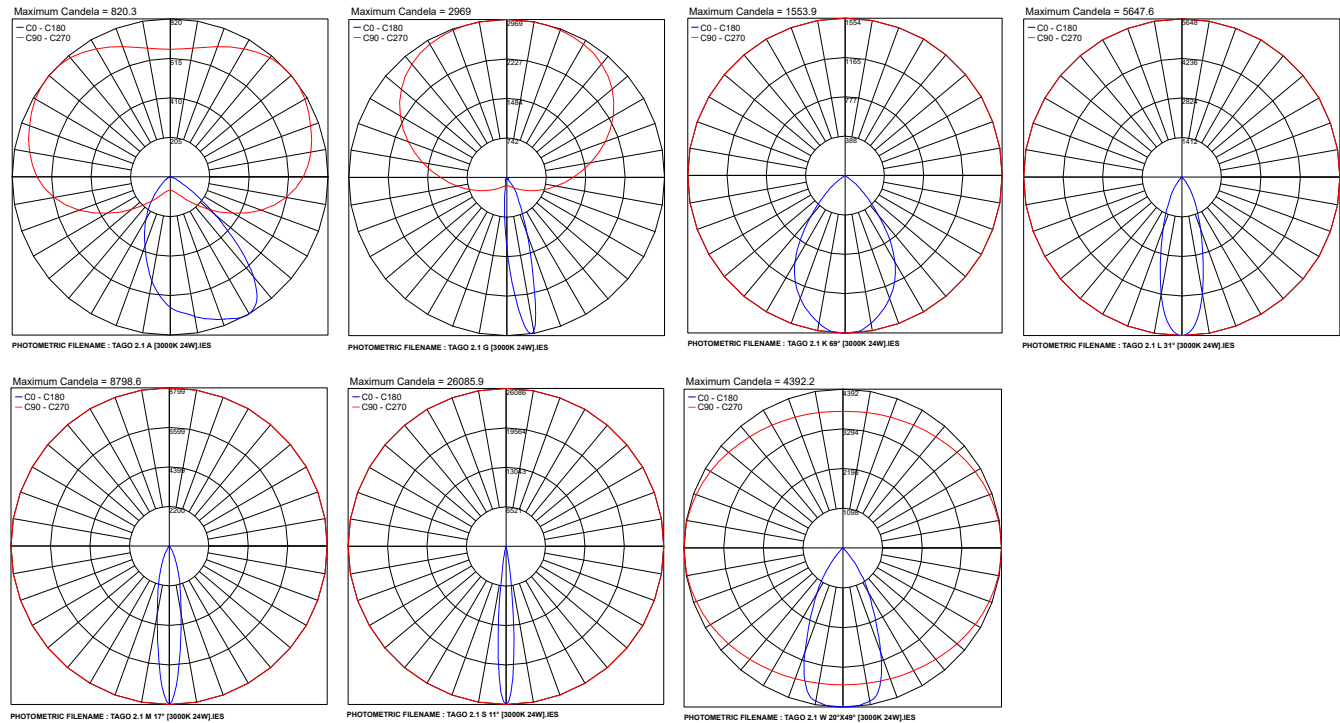
## PHOTOMETRIC DATA

Note: all Photometry is 3000K

### TAGO 2.0



### TAGO 2.1



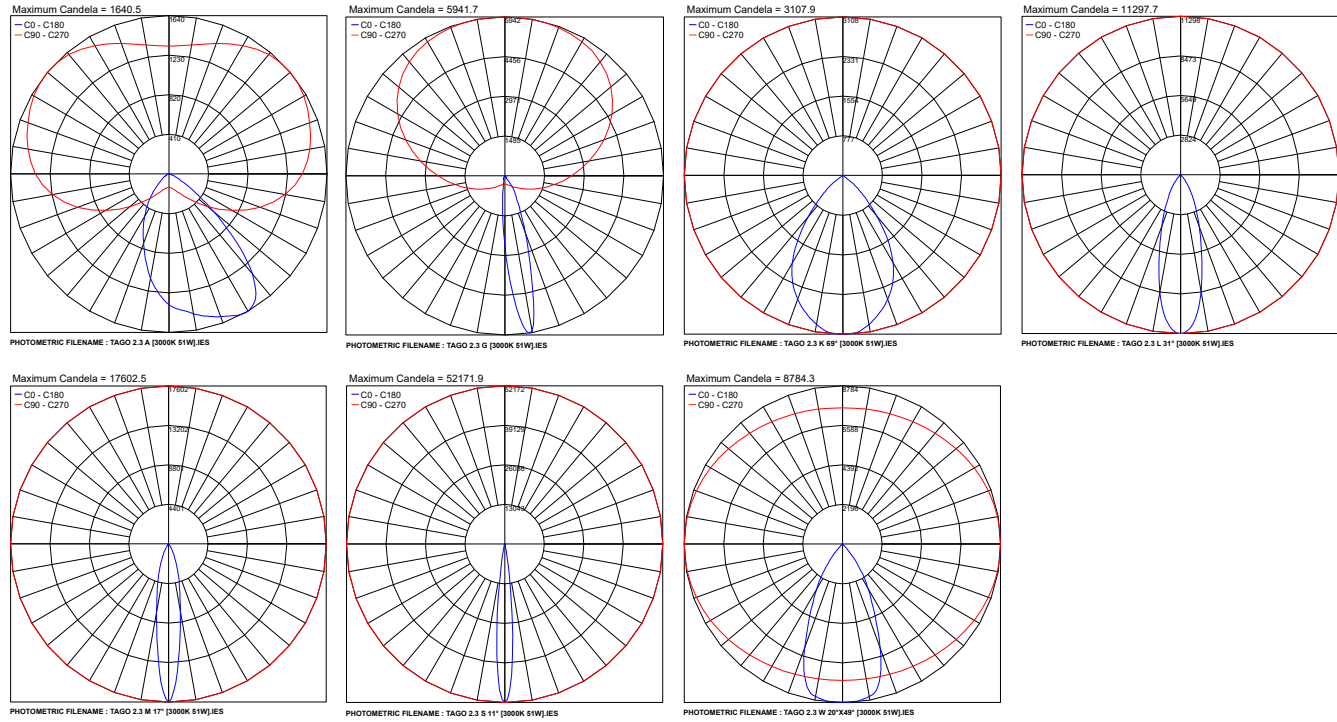
Job Name/Date:

Fixture Type Designation:

## PHOTOMETRIC DATA

Note: all Photometry is 3000K

### TAGO 2.3



Job Name/Date:

Fixture Type Designation: