

TAGO 3.0, 3.1, 3.3

Tago is an adjustable linear profile suitable for architectural lighting of facades of historic and public buildings, hotels and residential exteriors. It is available in 3 lengths with a wide range of optics and 4 color temperatures. Tago 3 series is the adjustable, surface-mounted version for floors, ceilings and walls.



TECHNICAL DATA

Wattage / Input	14W, 24W, 51W (120-277VAC)
Power Supply	Integral 0-10V Dimming
Construction	Body: Anodized Anticorodal Aluminum Caps: Technopolymer Lens: Tempered, Serigraphed & Extra-Clear Glass Cable Length: 2 x 4.92'
CCT	2200K, 2700K, 3000K, 4000K
CRI	80
BUG Rating	B1-U1-G0 (Tago 3.0 - 29°) B2-U1-G0 (Tago 3.1 - 29°) B3-U1-G0 (Tago 3.3 - 29°)
Delivered Lumens	See Chart on page 2.
Efficacy	See Chart on page 2
Optics	7 Available, see below
Finishes	Anodized Black
Fixture Dimensions	See Chart on page 2.
Fixture Weight	See Chart on page 2.
Lumen Maintenance	L80, B10>60,000hrs
Color Consistency	2-Step MacAdam, 3-Step MacAdam (2200K)
Operating Temp.	-4°F to +113°F
IP Rating	IP65, IP67
Impact Rating	IK09

ORDERING INFORMATION

Example: *TG30100200N0S Accessories / Power Supplies ordered separately.*

	02			
Model No.	Control System	Optical Accessories	CCT	Optics
TG3010 - Tago 3.0 (14W)	02 - 0-10V	00 - None	N0 - 2200K	S - 11°
TG3110 - Tago 3.1 (24W)		01 - Honeycomb Louvre*	F0 - 2700K	M - 17°
TG3310 - Tago 3.3 (51W)		02 - Anti-Glare Shield**	50 - 3000K	L - 29°
		NOTE: *Honeycomb Louvre only available on the 31°, 69°, and 20°x49° optics.	90 - 4000K	K - 69°
		**Anti-Glare Shield only available on the 17°, 31°, 69°, and 20°x49° optics.		W - 20° x 49°
				G - Wall Grazing
				A - Wall Washer

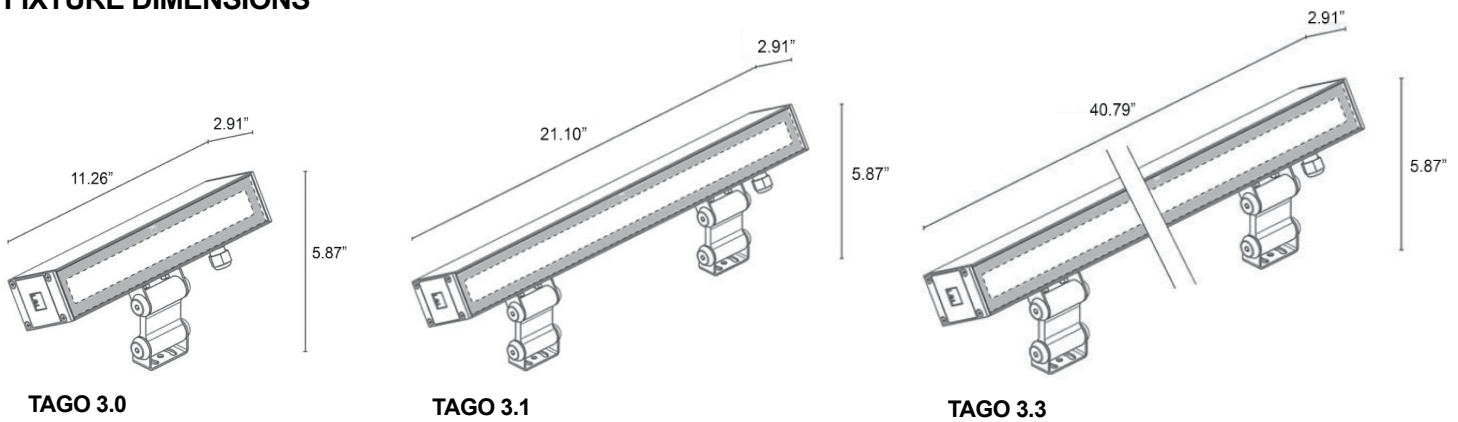
Job Name/Date:

Fixture Type Designation:

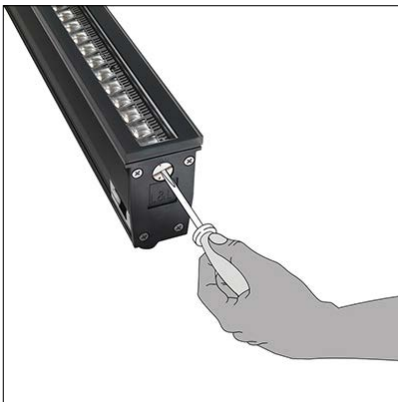
TECHNICAL DATA

	TAGO 3.0	TAGO 3.1	TAGO 3.3
Wattage	14W	24W	51W
Delivered Lumens (3000K)	932 lm (29°)	1864 lm (29°)	3728 lm (29°)
Efficacy	66.6 lm/W	77.7 lm/W	73.1 lm/W
Fixture Dim. (l,w,h)	11.26" x 2.91" x 5.87"	21.10" x 2.91" x 5.87"	40.79" x 2.91" x 5.87"
Fixture Weight	2.4 lbs	4.2 lbs	7.9 lbs
LED Source	12 power LEDs, spacing 0.82"	24 power LEDs, spacing 0.82"	48 power LEDs, spacing 0.82"

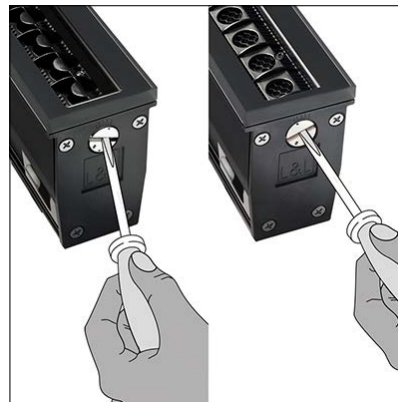
FIXTURE DIMENSIONS



ADJUSTABILITY & ANTI-GLARE FEATURES



Tilting system is inside the optical unit. The light direction can be altered by $\pm 20^\circ$ externally with a simple adjustment on the end caps, without compromising the fixture's IP65 or IP67 protection level.



The honeycomb louvre or anti-glare shield, which can be ordered at the same time as the fixture, is mounted on the optical unit, so that the chosen option tilts together with the optics providing anti-glare solutions.

Job Name/Date:

Fixture Type Designation:

ACCESSORIES - Spare Parts



WMA03N
 Pair of Adjustable Brackets
 2.17" x 0.94" x 1.93"

Fixture shipped with standard bracket above & below swivel arm.
 With the 2 standard brackets, the TAGO floodlight will be 3.7" from the wall.

Using the pair of adjustable bracket accessory, WMA03N, and the standard bracket together, the floodlight can be adjusted from 3.86" to 4.3" from the wall.

With 2 sets of accessory brackets WMA03N, the floodlight can be adjusted from 3.86" to 4.875" from the wall.

Wiring Materials



WFA0005
 16.40' Cable
 (for 0-10V version)



WFA03-US
 3-Pin Female Connector
 For IP66-IP68 in/out connection
 (for 0-10V version)

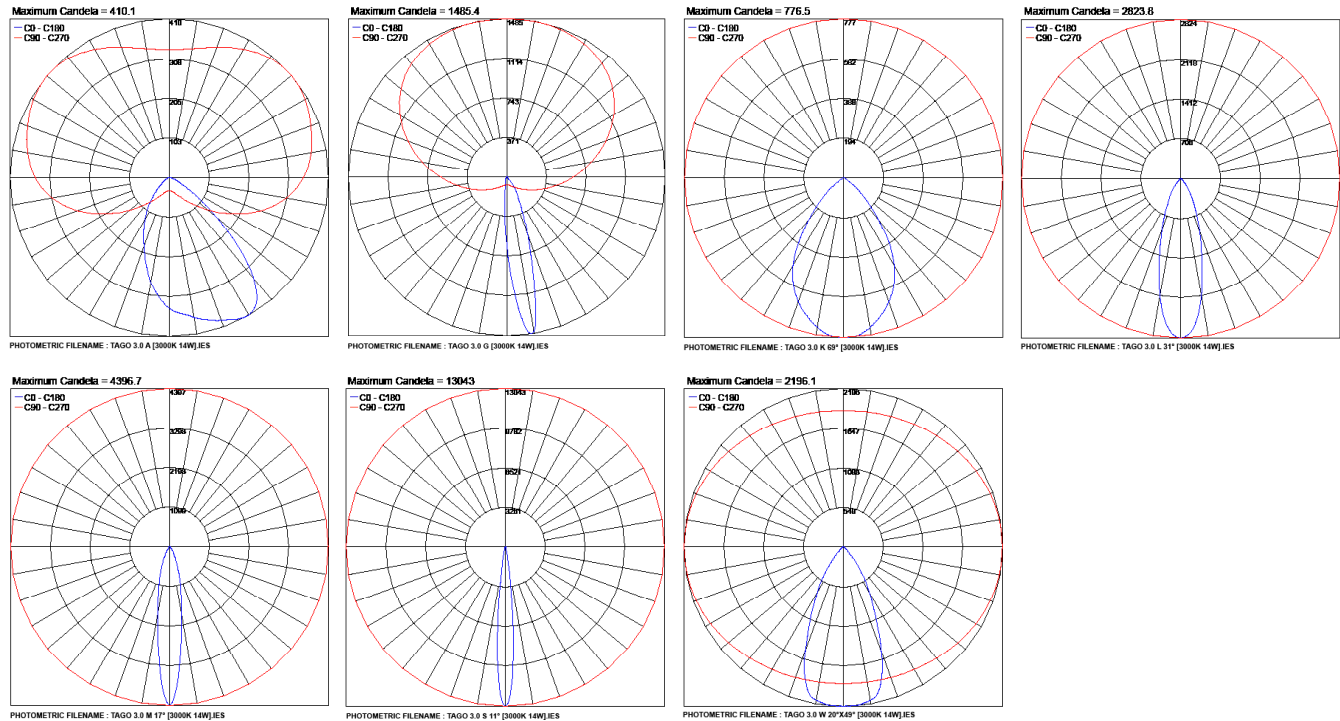


WFA04-US
 3-Pin Male Connector
 For IP66-IP68 in/out connection
 (for 0-10V version)

PHOTOMETRIC DATA

Note: all Photometry is 3000K - continued on page3

TAGO 3.0



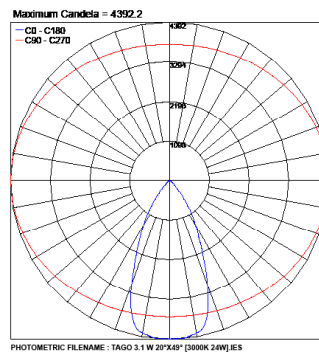
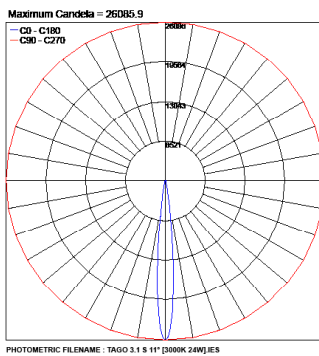
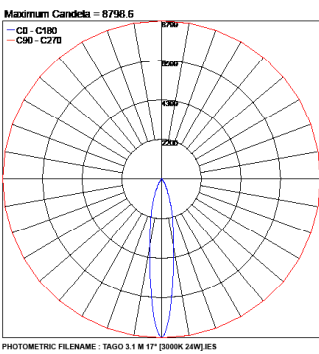
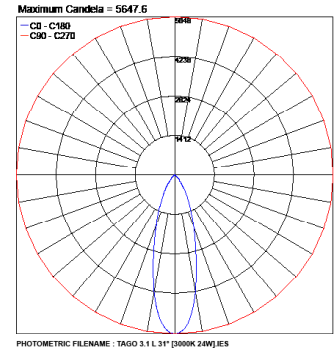
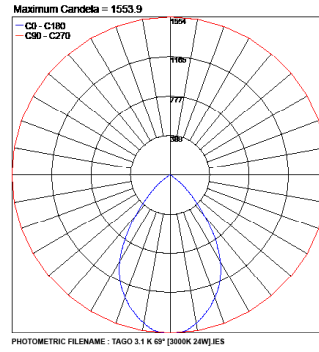
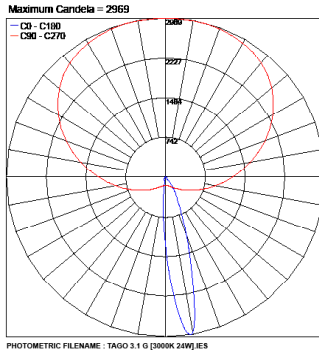
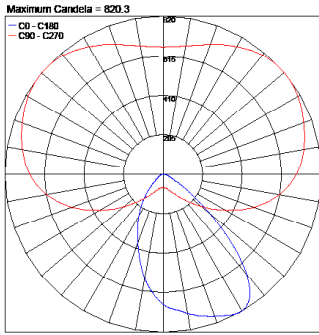
Job Name/Date:

Fixture Type Designation:

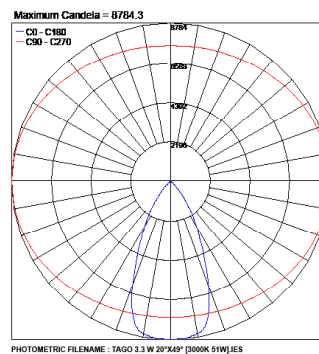
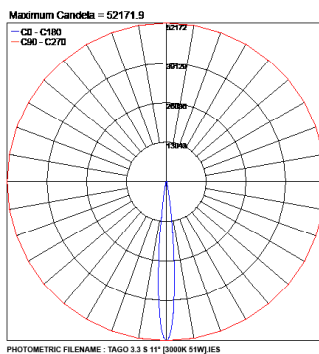
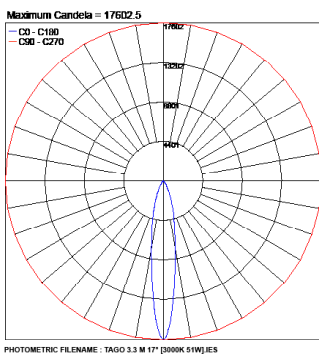
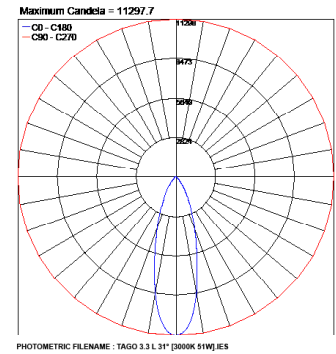
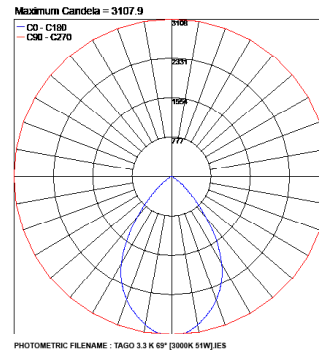
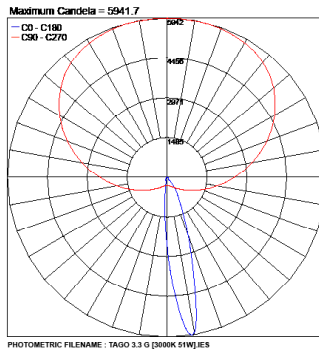
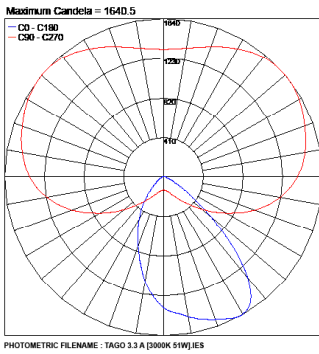
PHOTOMETRIC DATA

Note: all Photometry is 3000K

TAGO 3.1



TAGO 3.3



Job Name/Date:

Fixture Type Designation: