

TAGO 3.0, 3.1, 3.3

Tago is an adjustable linear profile suitable for architectural lighting of facades of historic and public buildings, hotels and residential exteriors. It is available in 3 lengths with a wide range of optics and 4 color temperatures. Tago 3 series is the adjustable, surface-mounted version for floors, ceilings and walls.



TECHNICAL DATA

Wattage / Input	14W, 24W, 51W
Power Supply	Integral 120-277VAC (0-10V Dimming)
Construction	Body: Anodized Anticorodal Aluminum Caps: Technopolymer Lens: Tempered, Serigraphed & Extra-Clear Glass Cable Length: 2 x 4.92'
CCT	2200K, 2700K, 3000K, 4000K
CRI	80
BUG Rating	B1-U1-G0 (Tago 3.0 - 29°) B2-U1-G0 (Tago 3.1 - 29°) B3-U1-G0 (Tago 3.3 - 29°)
Delivered Lumens	See Chart on page 2.
Efficacy	See Chart on page 2
Optics	7 Available, see below
Finishes	Anodized Black
Fixture Dimensions	See Chart on page 2.
Fixture Weight	See Chart on page 2.
Lumen Maintenance	L80, B10>60,000hrs
Color Consistency	2-Step MacAdam, 3-Step MacAdam (2200K)
Operating Temp.	-4°F to +113°F
IP Rating	IP65, IP67, IP69
Impact Rating	IK09

ORDERING INFORMATION

Example: TG3010020200N0LN. Accessories ordered separately.

Model No.	Optical Accessories	CCT	Optics
TG301002 - Tago 3.0 (14W)	00 - None	N0 - 2200K	SN - 11°
TG311002 - Tago 3.1 (24W)	01 - Honeycomb Louvre*	F0 - 2700K	MN - 17°
TG331002 - Tago 3.3 (51W)	02 - Anti-Glare Shield**	50 - 3000K	LN - 29°
	NOTE: *Honeycomb Louvre only available on the 29°, 69°, and 20°x49° optics.	90 - 4000K	KN - 69°
	**Anti-Glare Shield only available on the 17°, 29°, 69°, and 20°x49° optics.		WN - 20° x 49°
			GN - Wall Grazing
			AN - Wall Washer

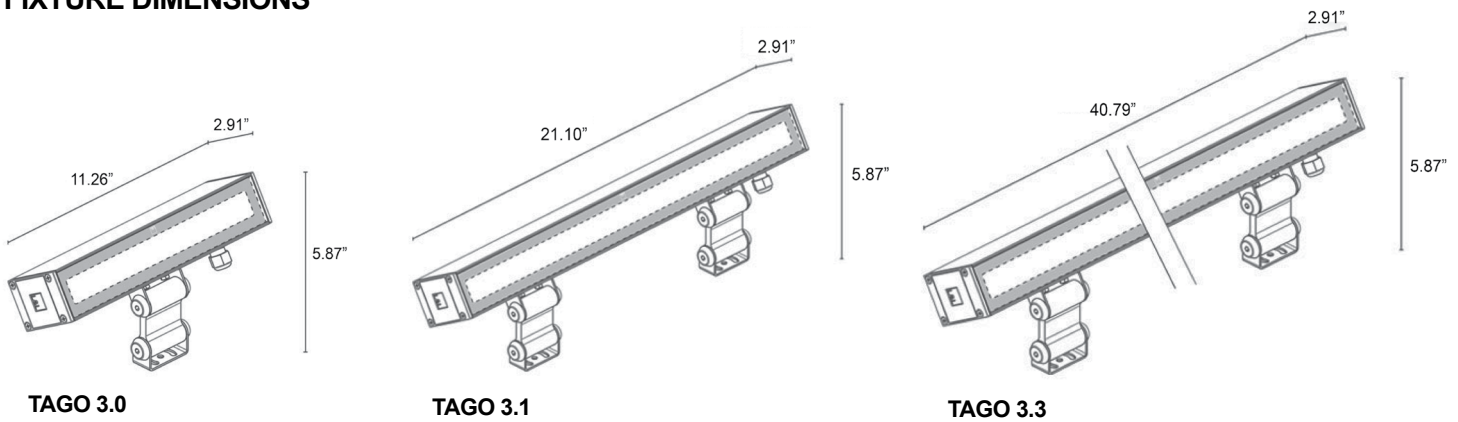
Job Name/Date:

Fixture Type Designation:

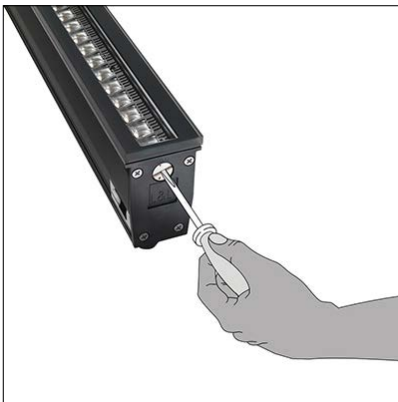
TECHNICAL DATA

	TAGO 3.0	TAGO 3.1	TAGO 3.3
Wattage	14W	24W	51W
Delivered Lumens (3000K)	932 lm (29°)	1864 lm (29°)	3728 lm (29°)
Efficacy	66.6 lm/W	77.7 lm/W	73.1 lm/W
Fixture Dim. (l,w,h)	11.26" x 2.91" x 5.87"	21.10" x 2.91" x 5.87"	40.79" x 2.91" x 5.87"
Fixture Weight	2.4 lbs	4.2 lbs	7.9 lbs
LED Source	12 power LEDs, spacing 0.82"	24 power LEDs, spacing 0.82"	48 power LEDs, spacing 0.82"

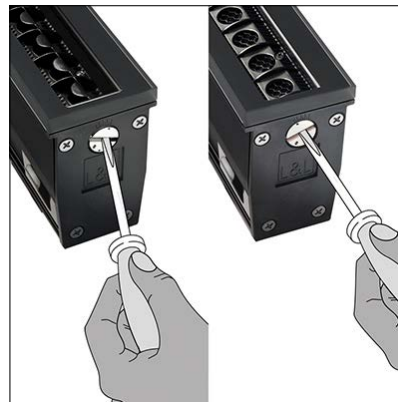
FIXTURE DIMENSIONS



ADJUSTABILITY & ANTI-GLARE FEATURES



Tilting system is inside the optical unit. The light direction can be altered by $\pm 20^\circ$ externally with a simple adjustment on the end caps, without compromising the fixture's IP65 or IP67 protection level.



The honeycomb louvre or anti-glare shield, which can be ordered at the same time as the fixture, is mounted on the optical unit, so that the chosen option tilts together with the optics providing anti-glare solutions.

Job Name/Date:

Fixture Type Designation:

ACCESSORIES - Spare Parts



WMA03N
 Pair of Adjustable Brackets
 2.17" x 0.94" x 1.93"

Fixture shipped with standard bracket above & below swivel arm.
 With the 2 standard brackets, the TAGO floodlight will be 3.7" from the wall.

Using the pair of adjustable bracket accessory, WMA03N, and the standard bracket together, the floodlight can be adjusted from 3.86" to 4.3" from the wall.

With 2 sets of accessory brackets WMA03N, the floodlight can be adjusted from 3.86" to 4.875" from the wall.

Wiring Materials



WFA0005
 required when daisy-chaining fixtures
 that are more than 4.9 ft apart
 16.40' Cable

***WFA04 & WFA0005
 must be ordered together**



WFA03-US (included)
 3-Pin Female Connector
 For IP66-IP68 in/out connection

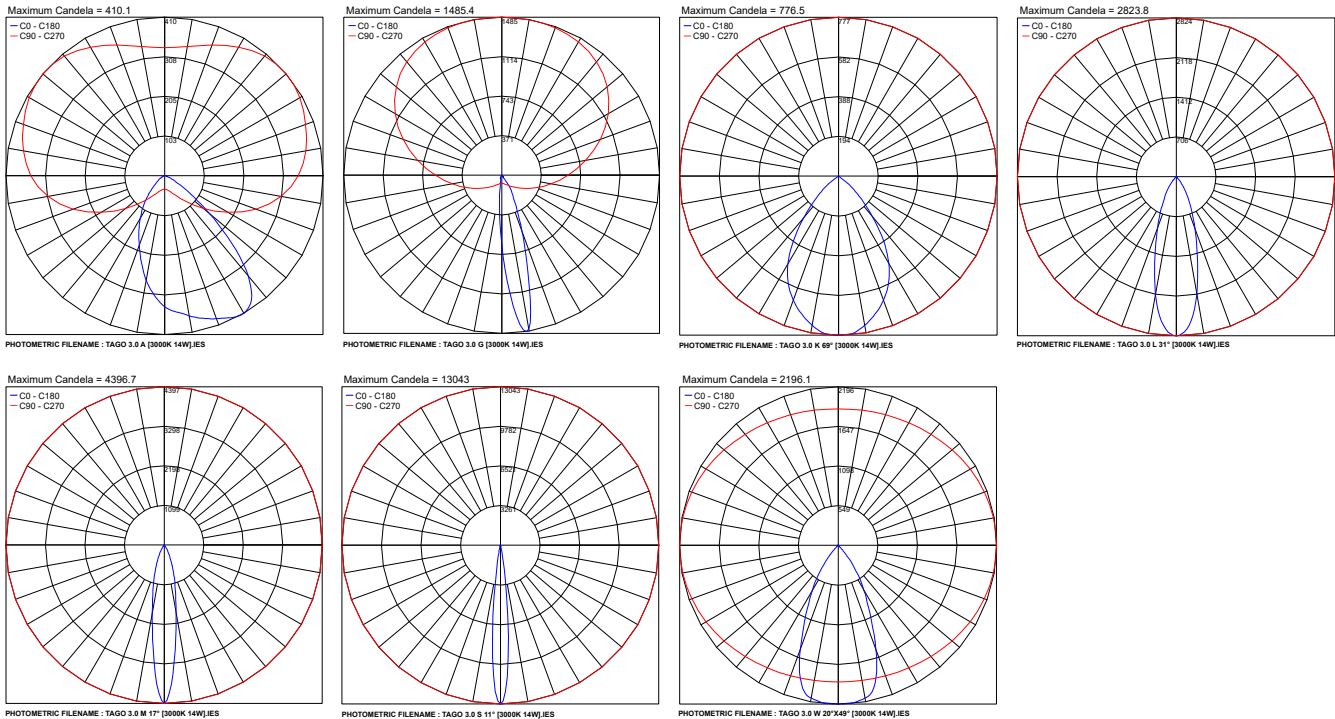


WFA04-US
 required when daisy-chaining fixtures
 that are more than 4.9 ft apart
 3-Pin Male Connector
 For IP66-IP68 in/out connection

PHOTOMETRIC DATA

Note: all Photometry is 3000K - continued on page3

TAGO 3.0



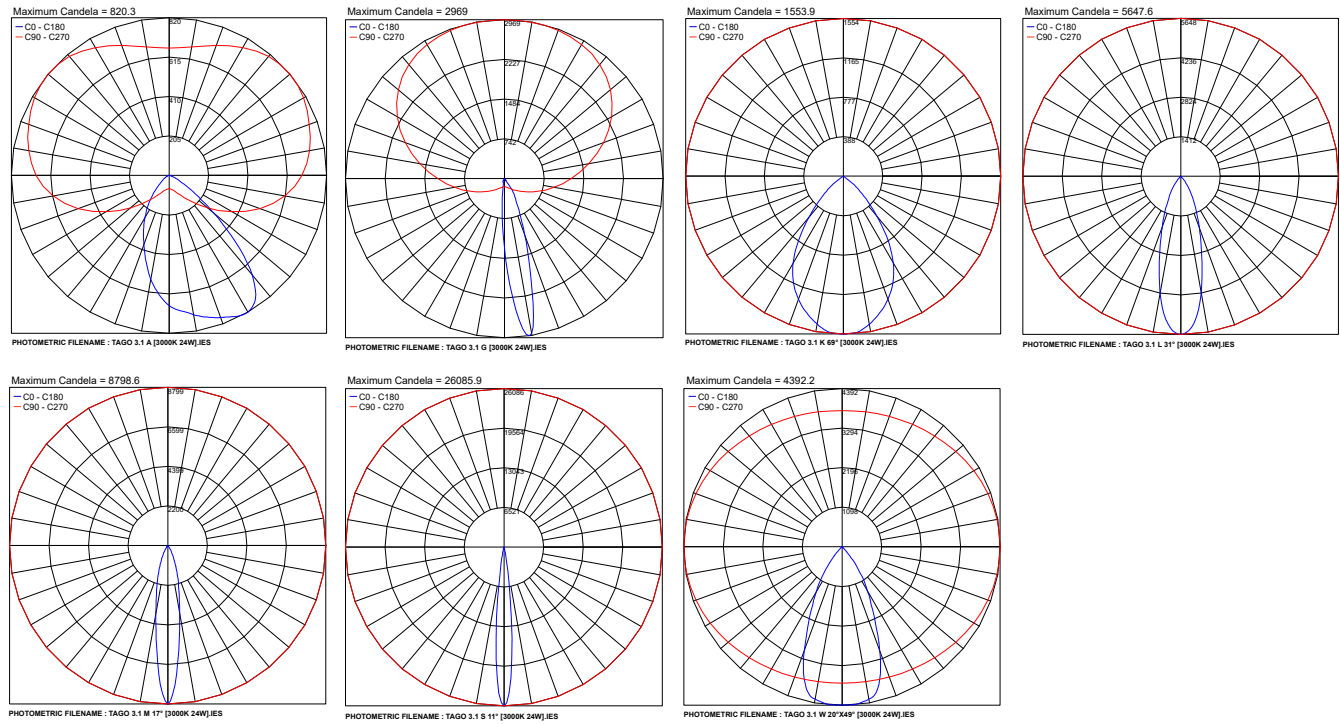
Job Name/Date:

Fixture Type Designation:

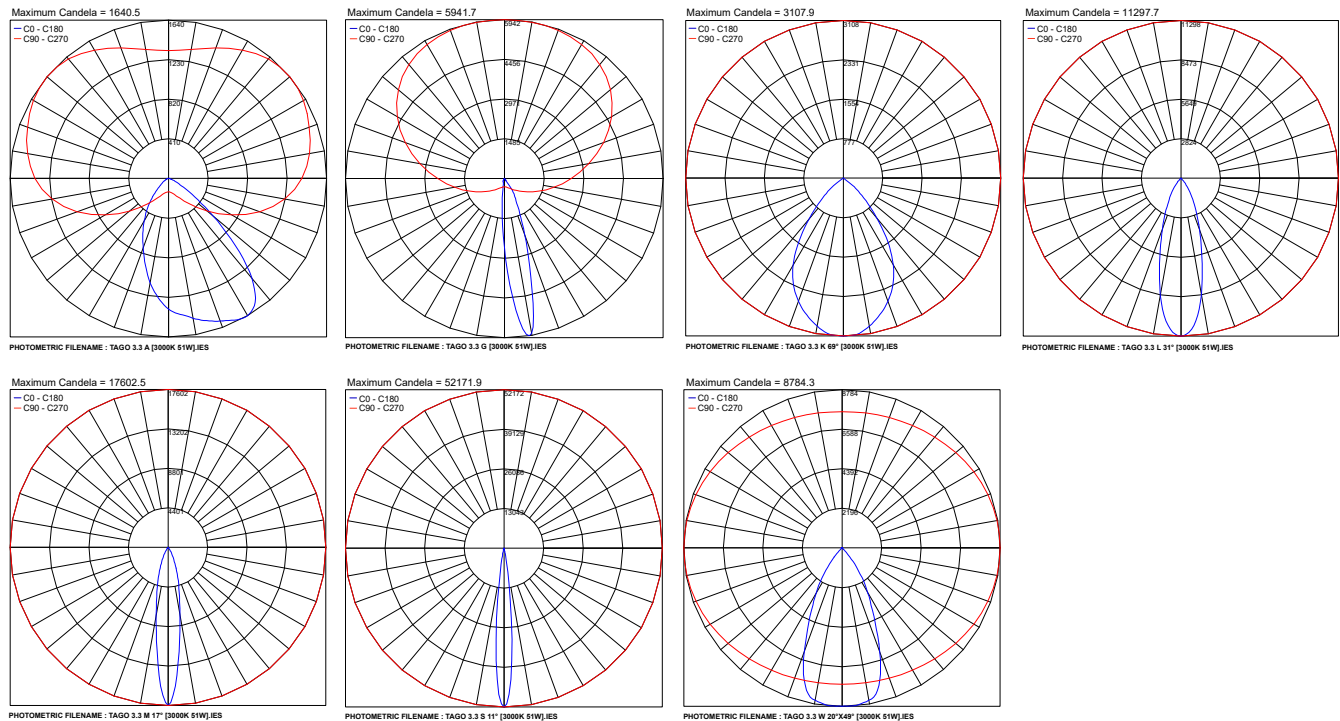
PHOTOMETRIC DATA

Note: all Photometry is 3000K - continued on page3

TAGO 3.1



TAGO 3.3



Job Name/Date:

Fixture Type Designation: