

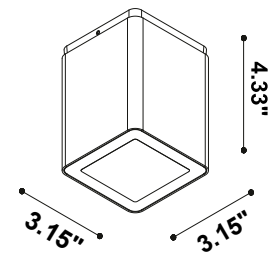
Talon Roof is an IP65 rated, surface mounted LED luminaire that is suitable for installation on ceilings. It is available in 4 optics options and 5 standard finishes. Also available in a wall mounted version - Talon Wall.



TECHNICAL DATA

Wattage / Input	8.2W, 4.8W (diffused version)
Power Supply	Integral 120VAC
Construction	Body: Die-Cast Aluminum Lens: Tempered, Transparent Glass
CCT	2700K, 3000K, 4000K
CRI	>80
BUG Rating	B1-U0-G0
Delivered Lumens	800 lm (32°, 3000K) 506 lm (diffuse, 3000K)
Efficacy	74.8 lm/W (32°, 3000K) 87.2 lm/W (diffuse, 3000K)
Optics	19°, 32°, 65°, Diffuse
LED Source	Power LED or Mid Power LED (diffused)
Finishes	5 Standard, See Below
Fixture Dimensions	3.94" l x 3.15" w x 4.33" h
IP Rating	IP65
Impact Resistance	IK05

Fixture Dimensions



ORDERING INFORMATION

Example: D901111144.US

D9011				. US
Model No.	CCT	Optics / Wattage	Finish	
D9011	311 - 2700K	2 - 19°, 8.2W	2 - White	US
	111 - 3000K	3 - 32°, 8.2W	3 - Sand	
	211 - 4000K	4 - 65°, 8.2W	4 - Graphite	
		5 - Diffuse, 4.8W	5 - Aluminum	
			8 - Corten	

Job Name/Date:

Fixture Type Designation:

FINISHES



white



sand



graphite



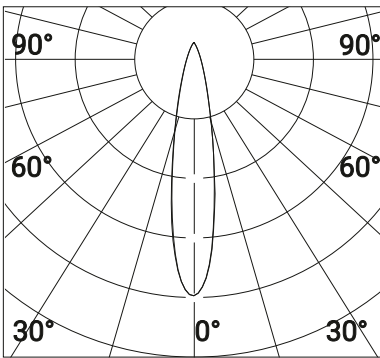
aluminum



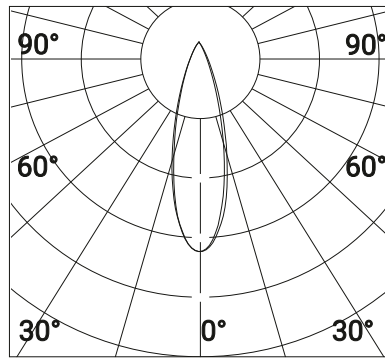
corten

PHOTOMETRIC DATA

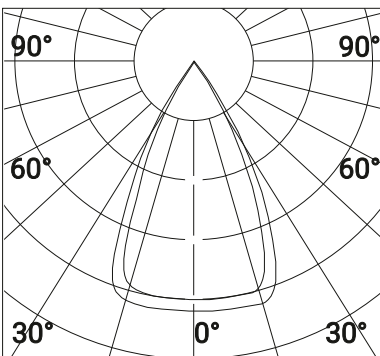
19°



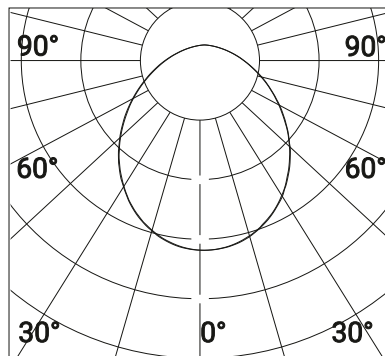
32°



65°



Diffuse



Job Name/Date:

Fixture Type Designation: