

Talon Wall is an IP65 rated, surface mounted, mono or bidirectional LED luminaire that comes in 2 sizes and is suitable for installation on walls. It is available in 4 optics options and 5 standard finishes. Available in a ceiling mounted version - Talon Roof.

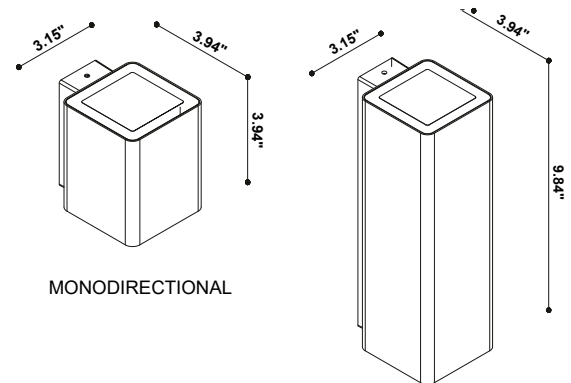


ADA Compliant

## TECHNICAL DATA

<b>Wattage / Input</b>	2 x 8.2W (double), 8.2W (single) Diffuse: 2 x 4.8W (double), 4.8W (single)
<b>Power Supply</b>	Integral 120VAC
<b>Construction</b>	Body: Die-Cast Aluminum Lens: Tempered, Transparent Glass
<b>CCT</b>	2700K, 3000K, 4000K
<b>CRI</b>	>80
<b>BUG Rating</b>	B1-U0-G0
<b>Delivered Lumens</b>	800 lm per beam (32°, 3000K) 506 lm per beam (diffuse, 3000K)
<b>Efficacy</b>	74.8 lm/W per beam (32°, 3000K) 87.2 lm per beam (diffuse, 3000K)
<b>Optics</b>	19°, 32°, 65°, Diffuse
<b>LED Source</b>	Power LED or Mid Power LED (diffused)
<b>Finishes</b>	5 Standard, See Below
<b>Fixture Dimensions</b>	3.94" l x 3.15" w x 3.94" or 9.84" h
<b>IP Rating</b>	IP65
<b>Impact Resistance</b>	IK05

Fixture Dimensions



MONODIRECTIONAL

BIDIRECTIONAL

## ORDERING INFORMATION

Example: D901111054.US

D9011				US
Model No.	CCT	Optics, Beam, Wattage	Finish	
D9011	310 - 2700K	0 - 19°, Bidirectional (2 x 8.2W)	2 - White	US
	110 - 3000K	3 - 19°, Monodirectional (8.2W)	3 - Sand	
	210 - 4000K	1 - 32°, Bidirectional (2 x 8.2W)	4 - Graphite	
		4 - 32°, Monodirectional (8.2W)	5 - Aluminum	
		2 - 65°, Bidirectional (2 x 8.2W)	8 - Corten	
		5 - 65°, Monodirectional (8.2W)		
	311 - 2700K	1 - Diffuse, Bidirectional (2 x 4.8W)		
	111 - 3000K	0 - Diffuse, Monodirectional (4.8W)		
	211 - 4000K			

Job Name/Date:

Fixture Type Designation:

## FINISHES



white



sand



graphite



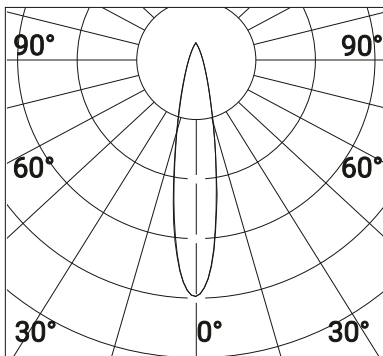
aluminum



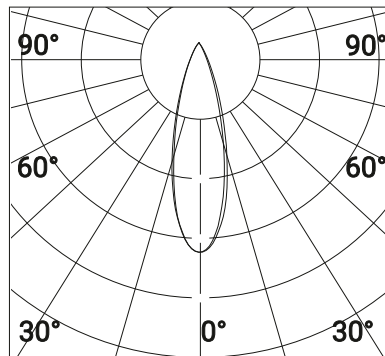
corten

## PHOTOMETRIC DATA

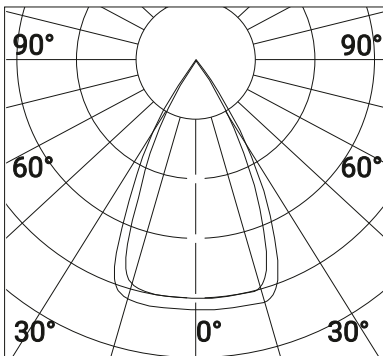
19°



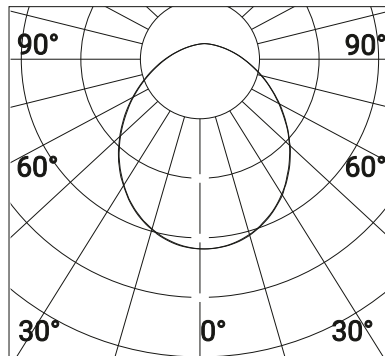
32°



65°



Diffuse



Job Name/Date:

Fixture Type Designation: