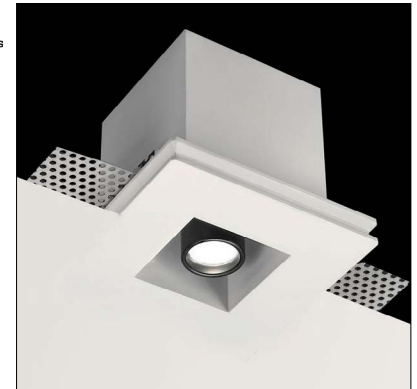


# TAURUS SINGLE

Taurus is an indoor recessed downlight made of Coral® that is available with a single, double or triple rearward spotlight that is extractable and adjustable on both axes. It comes in 3000K as standard with a 22° optic - installable on plasterboard ceilings or walls.



## TECHNICAL DATA

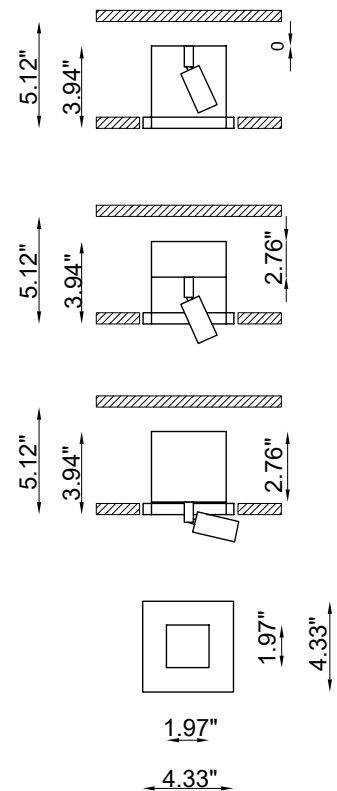
|                           |                                   |
|---------------------------|-----------------------------------|
| <b>Wattage / Input</b>    | 6W (500mA)                        |
| <b>Power Supply</b>       | Remote, not included. See page 2. |
| <b>Construction</b>       | Body: Coral®                      |
| <b>CCT</b>                | 3000K (2700K, 4000K on request)   |
| <b>CRI</b>                | >90                               |
| <b>Delivered Lumens</b>   | 780 lm (3000K)                    |
| <b>Efficacy</b>           | 130 lm/W                          |
| <b>Optics</b>             | 22° (50° on request)              |
| <b>Finishes</b>           | Black, White                      |
| <b>Fixture Dimensions</b> | 4.33" l x 4.33" w x 3.94" h       |
| <b>Cut-out Dimension</b>  | 4.72" x 4.72"                     |
| <b>Aperature</b>          | 1.97" x 1.97"                     |
| <b>Fixture Weight</b>     | 2.20 lbs                          |
| <b>IP Rating</b>          | IP40                              |

The body is made of Coral® a unique patented composite material made from natural minerals and aggregating elements.

Additionally, Coral® is:

- Extreme resistance to high temperatures and thermal shock.
- Highly impervious to knocks and scratches.
- Can easily be decorated with any type of paint (water or spirit based).
- Made of non-toxic materials and is non-allergic.
- Does not produce fumes, even in case of fire.
- Naturally dust repellent.

Fixture Dimensions



## ORDERING INFORMATION

Example: BU1831.00.US. Power Supplies ordered separately.

|                  |               |    |
|------------------|---------------|----|
|                  | 00            | US |
| <b>Model No.</b> | <b>Finish</b> |    |
| BU1831 - White   | 00 - Coral®   | US |
| BU1834 - Black   |               |    |

Job Name/Date:

Fixture Type Designation:

## SUGGESTED POWER SUPPLIES

500mA

| Part Number                 | Description                        | Input/Output                            | # of Fixtures |
|-----------------------------|------------------------------------|---|---------------|
| <a href="#">PPLT00466-P</a> | 0-10V Dimming to 1.0%              | 120-277VAC to 500mA, 10W, Class 2, DAMP | 1-1           |
| <a href="#">PPLT00469</a>   | Phase Dim (120V only)              | 120VAC to 500mA, 14W, Class 2           | 1-2           |
| <a href="#">PPLT00308-P</a> | 0-10V Dimming to 0.1%              | 120-277VAC to 500mA, 30W, Class 2, DAMP | 1-4           |
| <a href="#">PPLT00168-P</a> | 0-10V Dimming to 1.0% (2 channels) | 120-277VAC to 500mA, 50W, Class 2       | 1-4 (1-8)     |
| <a href="#">PPLT00538-P</a> | 0-10V Dimming to 0.1% (4 channels) | 120-277VAC to 500mA, 100W, Class 2      | 1-4 (1-16)    |

## Suggested Lutron Compatible

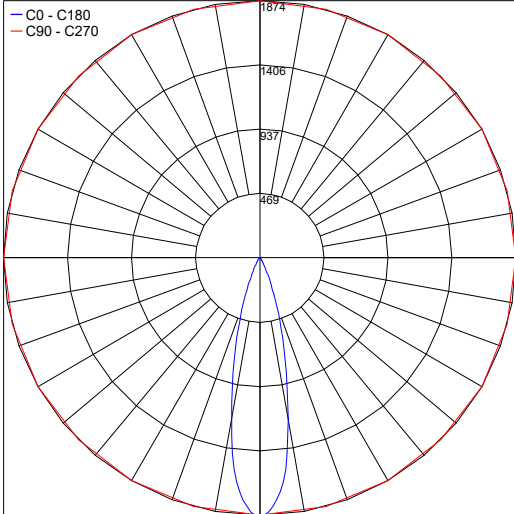
| Part Number               | Option         | Lutron SKU | Dim Range | Description   | Input/Output                      | # of Fixtures |
|---------------------------|----------------|------------|-----------|---|-----------------------------------|---------------|
| <a href="#">PPLT00249</a> | LTEA2W         | LTEA       | 100%-1%   | Hi-Lume™ 1% 2-Wire LED Driver (120V forward phase only) | 120VAC to 500mA, 10W, Class 2     | 1-1           |
| <a href="#">PPLT00259</a> | L3DAE / L3DA3W | L3DA       | 100%-1%   | Hi-Lume™ 1% EcoSystem™ or 1% 3-Wire LED Driver          | 120-277VAC to 500mA, 10W, Class 2 | 1-1           |
| <a href="#">PPLT00195</a> | L3DAE / L3DA3W | L3DA       | 100%-1%   | Hi-Lume™ 1% EcoSystem™ or 1% 3-Wire LED Driver          | 120-277VAC to 500mA, 19W, Class 2 | 2-3           |
| <a href="#">PPLT00250</a> | LTEA2W         | LTEA       | 100%-1%   | Hi-Lume™ 1% 2-Wire LED Driver (120V forward phase only) | 120VAC to 500mA, 27W, Class 2     | 3-4           |
| <a href="#">PPLT00180</a> | L3DAE / L3DA3W | L3DA       | 100%-1%   | Hi-Lume™ 1% EcoSystem™ or 1% 3-Wire LED Driver          | 120-277VAC to 500mA, 27W, Class 2 | 3-4           |

For other power supply options consult factory.

## PHOTOMETRIC DATA

Note all Photometry is 3000K

Maximum Candela = 1874.3



Job Name/Date:

Fixture Type Designation: