

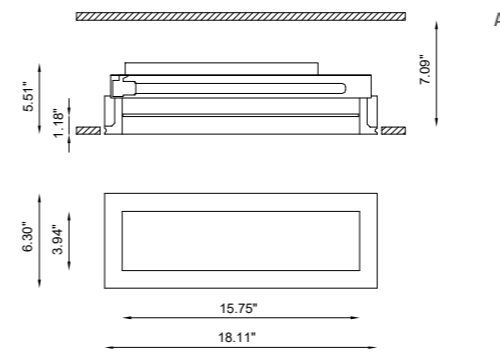
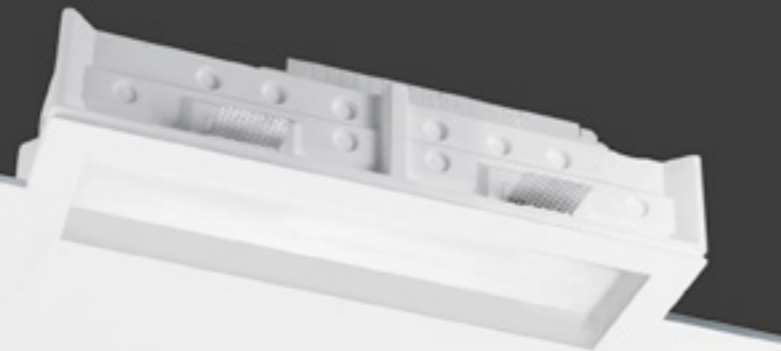
# TEKNO



## RECESSED FITTING WITH REAR GLASS, MAXIMUM INVISIBILITY.

Technology becomes emotion thanks to Tekno, a totally disappearing recessed luminaire made of AirCoral®, installable on plasterboard or brick ceilings: with its light, it wraps spaces up spreading sensation of delicate well-being and harmony.

A clean and essential design to give absolute prominence to the lit effect which, with no hesitation, enhances spaces and furniture.



### TECHNICAL FEATURES

Code	BU6051.AC (fig. A)	BU6052.AC (fig. A)
Type	Downlight 90°	Downlight 90°
Material	AC: AirCoral®	AC: AirCoral®
Absorption capacity*	118.8 ft²	118.8 ft²
Weight	13.23 lbs	13.23 lbs
Mounting	Ceiling recessed	Ceiling recessed
IP rating	IP40	IP40
Control gear	Constant current electronic driver	Constant current electronic driver
Cut out for plasterboard	6.69" x 18.50"	6.69" x 18.50"
Lamp type	LED 350mA	LED 350mA
Lamp wattage	1 x 12W	2 x 12W
Luminous efficacy	1640 lm - 3000K	2 x 1640 lm - 3000K
Light distribution	Wide beam 120°	Wide beam 120°
Fitting	-	-
Light color	White 3000K White 2700K   4000K (on request)	White 3000K White 2700K   4000K (on request)
Light hole	3.94" x 15.75"	3.94" x 15.75"
Voltage connection	120-277VAC · 50/60Hz	120-277VAC · 50/60Hz
CRI	>90	>90
Note	Extra white satin glass. Frosted glass recessed 1.18" into the ceiling.	Extra white satin glass. Frosted glass recessed 1.18" into the ceiling.

### OPTIONAL ACCESSORIES

product code	optional code	description	info
6051.AC	BR6051LT	Brick box	Dimensions L: 570 mm; W: 170 mm; D: 160 mm (instructions on page 502)
6052.AC	BR6052LT	Brick box	Dimensions L: 570 mm; W: 170 mm; D: 160 mm (instructions on page 502)



79 Trenton Avenue  
Frenchtown, NJ 08825

www.designplan.com

Tel: (908) 996-7710  
Fax: (908) 996-7042