

THE TUBE 48V

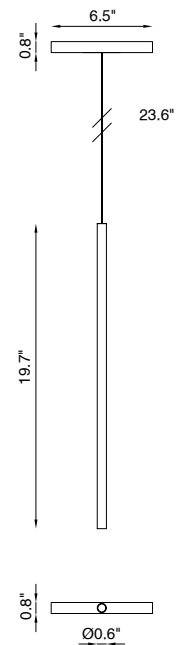
The Tube 48V is a pendant for the 48V track system with a diameter of only 0.6" making it extremely discrete and elegant in shape. It is available in various finishes; white, black, chromed, anodized champagne and rose gold and fitted with the latest generation LED source with a light output able to highlight individual details within the space.



TECHNICAL DATA

Wattage / Input	4.5W
Track Power Supply	Remote 48VDC power supply for track, not included. See 48V Track datasheet
Track Head	Integral 48V LED Converter in Track Adapter
Dimming	Non-Dim, 0-10V Dim, Dali
Construction	Body: Aluminum
CCT	3000K (2700K on request)
CRI	>90
Delivered Lumens	360 lm (3000K)
Efficacy	80 lm/W (3000K)
Optics	Narrow Beam
Finishes	5 standard, See Below
Fixture Dimensions	Ø0.6" x 19.7" with adjustable length cord
Fixture Weight	1.10 lbs
IP Rating	IP40

Fixture Dimensions



ORDERING INFORMATION

Example: BUT048L00011A10030110.US. Track ordered separately.

BUT048L00011		00			0	US
Model No.	Finish	Optic	CCT	Dimmability		
BUT048L00011	W1 - White B1 - Black CP - Chromed A1 - Champagne A2 - Rose Gold	00 - Narrow Beam	27 - 2700K 30 - 3000K	ND - Non Dimmable 11 - 0-10V Dimming DA - DALI	0	US

Job Name/Date:

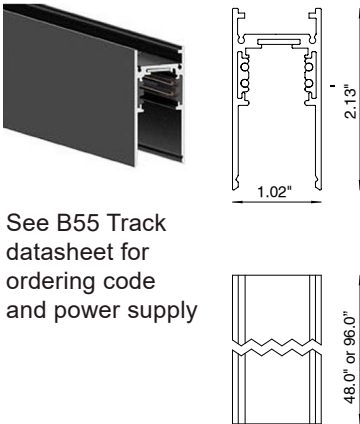
Fixture Type Designation:

SUGGESTED POWER SUPPLIES

48VDC - See Track Datasheets

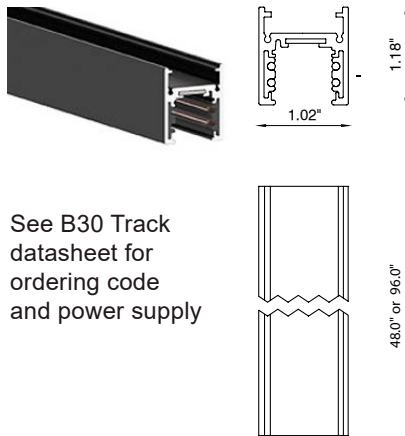
48V TRACKS

B55



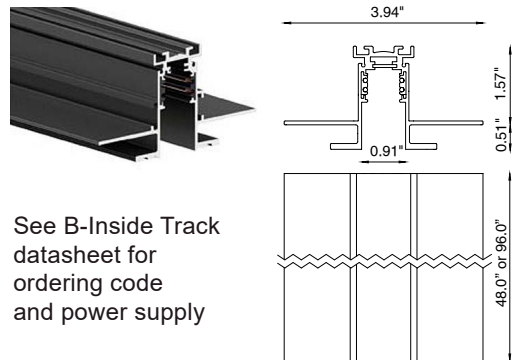
See B55 Track datasheet for ordering code and power supply

B30



See B30 Track datasheet for ordering code and power supply

B-INSIDE

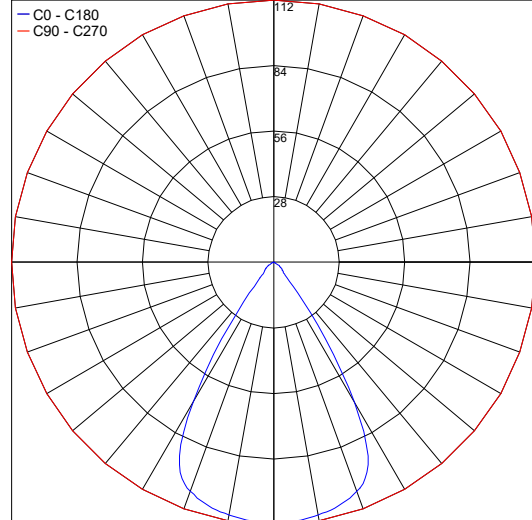


See B-Inside Track datasheet for ordering code and power supply

PHOTOMETRIC DATA

Note: All photometry is 3000K

Maximum Candela = 112.3



PHOTOMETRIC FILENAME : THE TUBE 48V BUT048 L 00011.IES

Job Name/Date:

Fixture Type Designation: