

TRITON 4 COMPACT

4 HOUR EMERGENCY BATTERY

Triton 4 Compact is a surface or wall mounted linear profile luminaire that has an emergency battery that lasts longer than 4 hours. It is vandal resistant and has a protection rating of IP65. Available in a 2 foot version with 3 color temperatures and 3 standard finishes.



MADE IN THE U.S.A.

Fixture Dimensions & Drawing
See page 2

TECHNICAL DATA

Wattage / Input	7.5W per foot (120-277VAC)
Power Supply	Integral (Dimming or Non-Dim Available)
Construction	Body: 18GA Powder Coated Galvanized Steel Frame Cover: 12GA Powder Coated Galvanized Steel Lens: 3/16" UV Stabilized Polycarbonate Screws: Vandal Reistant Stainless Steel
CCT	3000K, 3500K, 4000K
CRI	>90
Delivered Lumens	Coming Soon - xx lm per foot (3000K)
Efficacy	Coming Soon - xx lm/W per foot
Finishes	3 Standard, Custom RAL. See Below.
Fixture Dimensions	4.33" w x 24.96" l x 4.45" h
Aperature	1.88" x 22.50"
IP Rating	IP65
IK Rating	IK10

ORDERING INFORMATION

Example: TC4-L-210-930-0-02-UNA-X-1.

TC4-L	-	210	-		-	0	-		-		-	X	-	
Model #	Length/Lumens	CCT	Body	Finish	Driver	Lens	Options							
TC4-L	210 - 2', 1 Row, 1000 lm/ft.	930 - 30K, >90 935 - 35K, >90 940 - 40K, >90	0 - Surface Mount No Conduit Entries	02 - Black Suede 11 - White Suede 03 - Gray 99 - Custom	UNA - No Dim 120-277VAC U02 - 0-10V Dim 120-277VAC	X - Opal Polycarbonate	1 - Emergency*							

Job Name/Date:

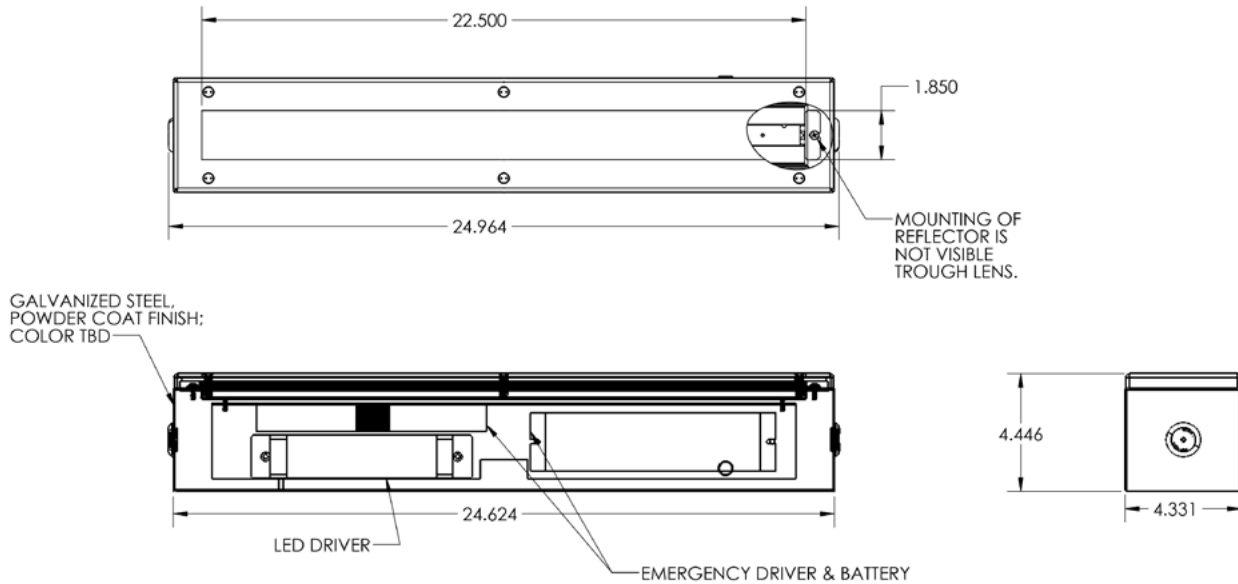
Fixture Type Designation:

TRITON 4 COMPACT

4 HOUR EMERGENCY BATTERY

DIMENSIONS

TRITON 4 COMPACT 2FT
EMERGENCY (4 HOUR) WALL VERSION



PHOTOMETRIC DATA

Coming Soon

Job Name/Date:

Fixture Type Designation: