

TUBE PRO

Tube Pro is a tubular, ceiling-mounted downlight, suitable for installation in outdoor or indoor spaces thanks to its protection rating of IP66. It comes in 3 diameters, each in 3 different lengths, 3 color temperatures and 3 optics options, including horizontal elliptical.



Fixture Dimensions - See Page 2



TECHNICAL DATA

Wattage / Input	6.3W, 12.2W, 19W
Power Supply	Remote, not included. Consult Factory.
Construction	Body: Anticorodal Aluminum (Anodized) Lens: Extra Clear, Screen Printed, Tempered Glass Cable Length: 1.64'
CCT	2700K, 3000K, 4000K
BUG Rating	B1-U1-G0 (Tube Pro 1 & 2 - 3000K) B2-U1-G0 (Tube Pro 3 - 3000K)
Delivered Lumens	672 lm (Tube Pro 1 - 3000K) 2066 lm (Tube Pro 2 - 3000K) 2802 lm (Tube Pro 3 - 3000K)
Efficacy	106.7 lm/W (Tube Pro 1) 169.3 lm/W (Tube Pro 2) 147.5 lm/W (Tube Pro 3)
Optics	4 Standard, See Below
Finishes	5 Standard, See Below
Fixture Dimensions	See page 2
Color Consistency	<3-Step MacAdam
LED Source	COB LED
IP Rating	IP66
Impact Resistance	IK08

ORDERING INFORMATION

Example: LM03.104250.US.03.SP.BP. Power Supplies ordered separately.

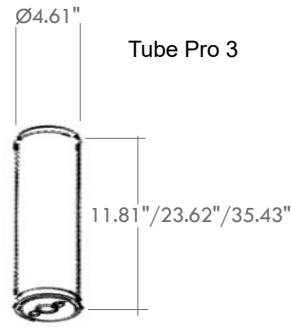
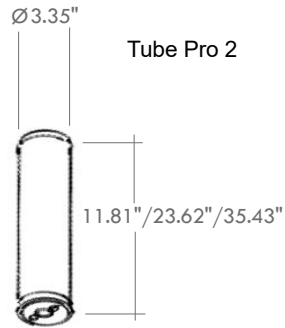
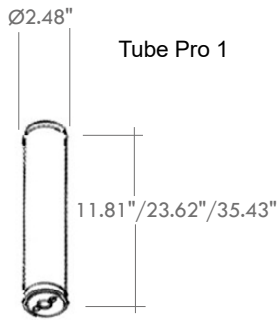
. . .

Model No.	Finish	Optic	CCT
LM03.104250.US - Tube 1 300	01 - White	SP - 12°	BC - 2700K
LM03.104251.US - Tube 1 600	02 - Black	MD - 25°	BP - 3000K
LM03.104252.US - Tube 1 900	03 - Gray	FL* - 40°	BF - 4000K
LM03.104253.US - Tube 2 300	04 - Cor-ten	HE** - Horizontal Elliptical	
LM03.104254.US - Tube 2 600	11 - Anthracite	*Available only for Tube Pro 2 and Tube Pro 3	
LM03.104255.US - Tube 2 900		**Available only for Tube Pro 1	
LM03.104256.US - Tube 3 300			
LM03.104257.US - Tube 3 600			
LM03.104258.US - Tube 3 900			

Job Name/Date:

Fixture Type Designation:

FIXTURE DIMENSIONS



SUGGESTED POWER SUPPLIES

Consult Factory

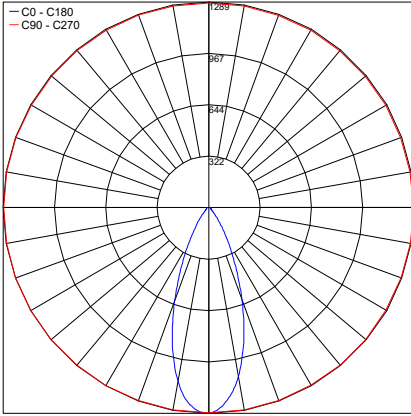
Job Name/Date:

Fixture Type Designation:

PHOTOMETRIC DATA

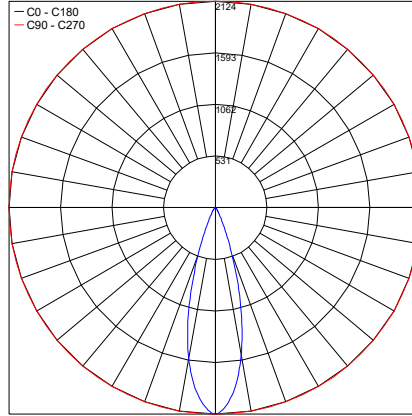
Note: All photometric data is 3000K

Maximum Candela = 1289



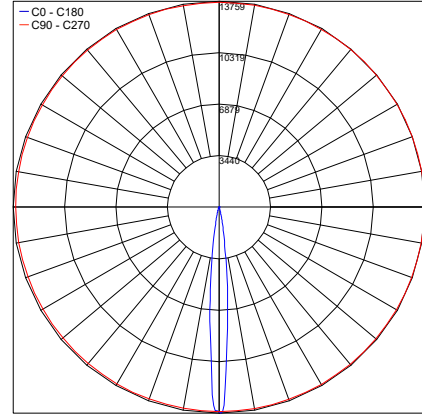
PHOTOMETRIC FILENAME : TUBE PRO 1 HE (HORIZ. ELLIPTIC) H300 LM03.104250.01.HE.XX.IES

Maximum Candela = 2124.2



PHOTOMETRIC FILENAME : TUBE PRO 1 MD (25°) H300 LM03.104250.01.MD.XX.IES

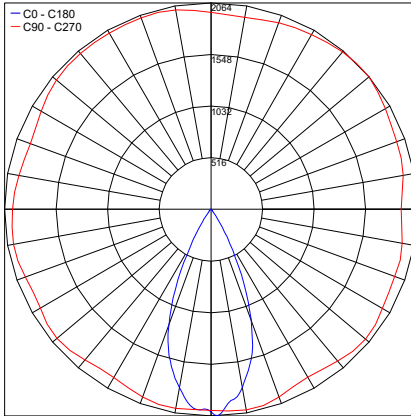
Maximum Candela = 13758.7



PHOTOMETRIC FILENAME : TUBE PRO 1 SP (12°) H300 LM03.104250.01.SP.XX.IES

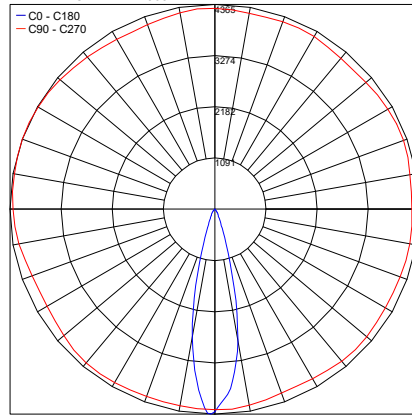
TUBE PRO 1

Maximum Candela = 2063.5



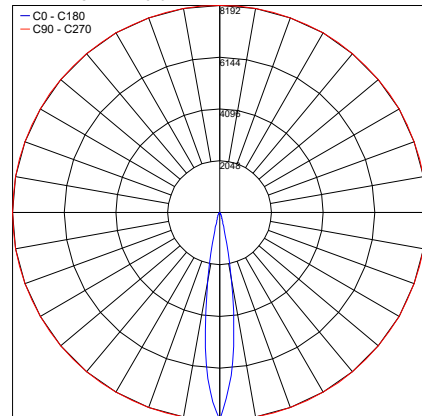
PHOTOMETRIC FILENAME : TUBE PRO 2 H300 FL (40°) 30K LM03.104253.01.FL.XX.IES

Maximum Candela = 4365



PHOTOMETRIC FILENAME : TUBE PRO 2 H300 MD (25°) 30K LM03.104253.01.MD.XX.IES

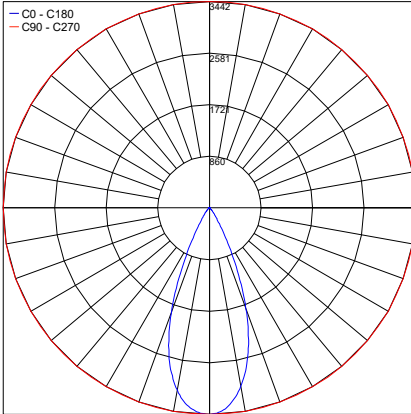
Maximum Candela = 8192



PHOTOMETRIC FILENAME : TUBE PRO 2 H300 SP (12°) 30K LM03.104253.01.SP.XX.IES

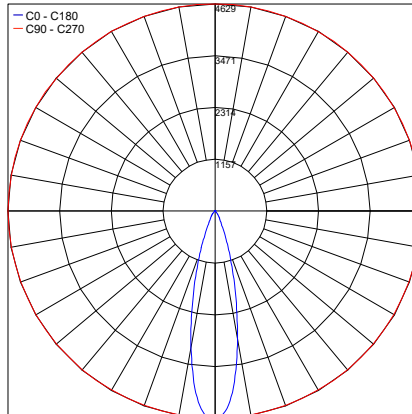
TUBE PRO 2

Maximum Candela = 3441.9



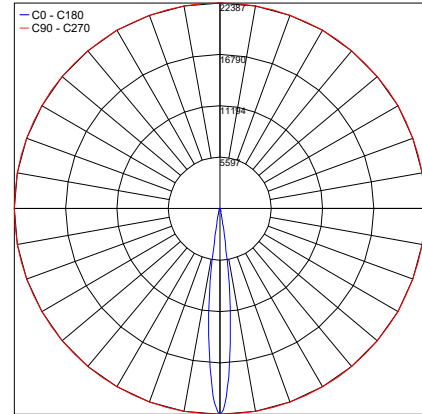
PHOTOMETRIC FILENAME : TUBE PRO 3 H300 FL 30K LM03.104256.01.FL.XX.IES

Maximum Candela = 4628.5



PHOTOMETRIC FILENAME : TUBE PRO 3 H300 MD 30K LM03.104256.01.MD.XX.IES

Maximum Candela = 22387.2



PHOTOMETRIC FILENAME : TUBE PRO 3 H300 SP 30K LM03.104256.01.SP.XX.IES

TUBE PRO 3

Job Name/Date:

Fixture Type Designation: