

Tube Pro is a tubular, ceiling-mounted downlight, suitable for installation in outdoor or indoor spaces thanks to its protection rating of IP66. It comes in 3 diameters, each in 3 different lengths, 3 color temperatures and 3 optics options, including horizontal elliptical.



Fixture Dimensions - See Page 2



## TECHNICAL DATA

<b>Wattage / Input</b>	6.3W, 12.2W, 19W (24VDC)
<b>Power Supply</b>	Remote, not included. See page 2.
<b>Construction</b>	Body: Anticorodal Aluminum (Anodized) Lens: Extra Clear, Screen Printed, Tempered Glass Cable Length: 1.64'
<b>CCT</b>	2700K, 3000K, 4000K
<b>BUG Rating</b>	B1-U1-G0 (Tube Pro 1 & 2 - 3000K) B2-U1-G0 (Tube Pro 3 - 3000K)
<b>Delivered Lumens</b>	672 lm (Tube Pro 1 - 3000K) 2066 lm (Tube Pro 2 - 3000K) 2802 lm (Tube Pro 3 - 3000K)
<b>Efficacy</b>	106.7 lm/W (Tube Pro 1) 169.3 lm/W (Tube Pro 2) 147.5 lm/W (Tube Pro 3)
<b>Optics</b>	4 Standard, See Below
<b>Finishes</b>	5 Standard, See Below
<b>Fixture Dimensions</b>	See page 2
<b>Color Consistency</b>	<3-Step MacAdam
<b>LED Source</b>	COB LED
<b>IP Rating</b>	IP66
<b>Impact Resistance</b>	IK08

## ORDERING INFORMATION

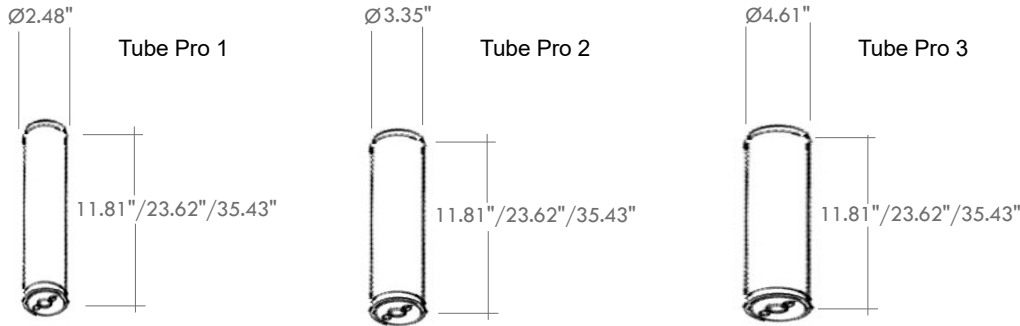
Example: LM03.104250.US.03.SP.BP. Power Supplies ordered separately.

<b>Model No.</b>	<b>Finish</b>	<b>Optic</b>	<b>CCT</b>
LM03.104250.US - Tube 1 300	01 - White	SP - 12°	BC - 2700K
LM03.104251.US - Tube 1 600	02 - Black	MD - 25°	BP - 3000K
LM03.104252.US - Tube 1 900	03 - Gray	FL* - 40°	BF - 4000K
LM03.104253.US - Tube 2 300	04 - Cor-ten	HE** - Horizontal Elliptical	
LM03.104254.US - Tube 2 600	11 - Anthracite	*Available only for Tube Pro 2 and Tube Pro 3	
LM03.104255.US - Tube 2 900		**Available only for Tube Pro 1	
LM03.104256.US - Tube 3 300			
LM03.104257.US - Tube 3 600			
LM03.104258.US - Tube 3 900			

Job Name/Date:

Fixture Type Designation:

## FIXTURE DIMENSIONS



## SUGGESTED POWER SUPPLIES

### Tube Pro 1 - 24VDC

Part Number	Description	Input/Output	# of Fixtures		
			H300	H600	H900
<a href="#">PPLT00632</a>	0-10V Dimming (Dim to Off)	120-277VAC to 24VDC, 12W, Class 2	1-1	1-1	1-1
<a href="#">PPLT00056</a>	Non-Dim	120-277VAC to 24VDC, 26W, Class 2, IP66	1-3	1-3	1-3
<a href="#">PPLT00157</a>	Non-Dim	120VAC to 24VDC, 60W, Class 2	1-7	1-7	1-7
<a href="#">PPLT00599</a>	ELV/TRIAC & 0-10V Dimming (100-0%)	120-277VAC to 24VDC, 96W, Class 2	1-12	1-12	1-12
<a href="#">PPLT00158</a>	Non-Dim	120VAC to 24VDC, 100W, Class 2	1-12	1-12	1-12
<a href="#">PPLT00543</a>	0-10V Dimming to 15% (-40°C / -40°F cold weather start)	120-277VAC to 24VDC, 100W, Class 2	2-12	2-12	2-12

### Tube Pro 2 - 24VDC

Part Number	Description	Input/Output	# of Fixtures		
			H300	H600	H900
<a href="#">PPLT00056</a>	Non-Dim	120-277VAC to 24VDC, 26W, Class 2, IP66	1-1	1-1	1-1
<a href="#">PPLT00157</a>	Non-Dim	120VAC to 24VDC, 60W, Class 2	1-3	1-3	1-3
<a href="#">PPLT00599</a>	ELV/TRIAC & 0-10V Dimming (100-0%)	120-277VAC to 24VDC, 96W, Class 2	1-6	1-6	1-6
<a href="#">PPLT00158</a>	Non-Dim	120VAC to 24VDC, 100W, Class 2	1-6	1-6	1-6
<a href="#">PPLT00543</a>	0-10V Dimming to 15% (-40°C / -40°F cold weather start)	120-277VAC to 24VDC, 100W, Class 2	1-6	1-6	1-6

### Tube Pro 3 - 24VDC

Part Number	Description	Input/Output	# of Fixtures		
			H300	H600	H900
<a href="#">PPLT00056</a>	Non-Dim	120-277VAC to 24VDC, 26W, Class 2, IP66	1-1	1-1	1-1
<a href="#">PPLT00157</a>	Non-Dim	120VAC to 24VDC, 60W, Class 2	1-2	1-2	1-2
<a href="#">PPLT00599</a>	ELV/TRIAC & 0-10V Dimming (100-0%)	120-277VAC to 24VDC, 96W, Class 2	1-4	1-4	1-4
<a href="#">PPLT00158</a>	Non-Dim	120VAC to 24VDC, 100W, Class 2	1-4	1-4	1-4
<a href="#">PPLT00543</a>	0-10V Dimming to 15% (-40°C / -40°F cold weather start)	120-277VAC to 24VDC, 100W, Class 2	1-4	1-4	1-4

For other power supply options consult factory.

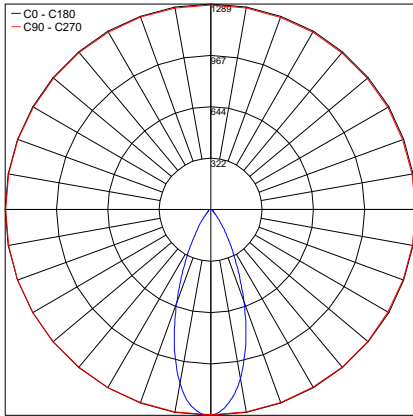
Job Name/Date:

Fixture Type Designation:

## PHOTOMETRIC DATA

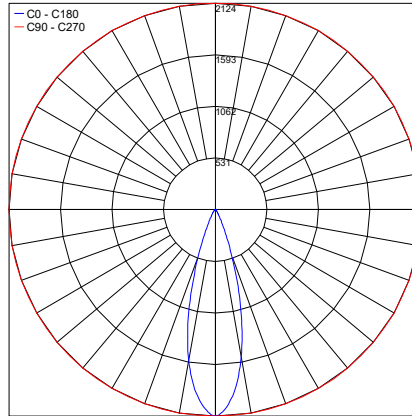
Note: All photometric data is 3000K

Maximum Candela = 1289



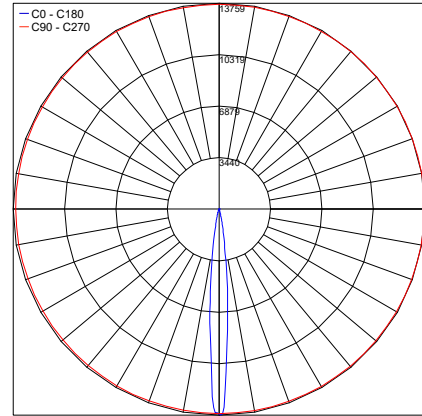
PHOTOMETRIC FILENAME : TUBE PRO 1 HE (HORIZ. ELLIPTIC) H300 LM03.104250.01.HE.XX.IES

Maximum Candela = 2124.2



PHOTOMETRIC FILENAME : TUBE PRO 1 MD (25°) H300 LM03.104250.01.MD.XX.IES

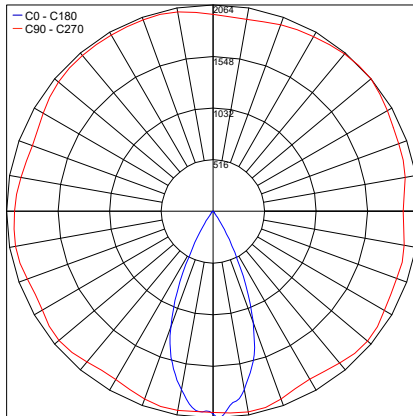
Maximum Candela = 13758.7



PHOTOMETRIC FILENAME : TUBE PRO 1 SP (12°) H300 LM03.104250.01.SP.XX.IES

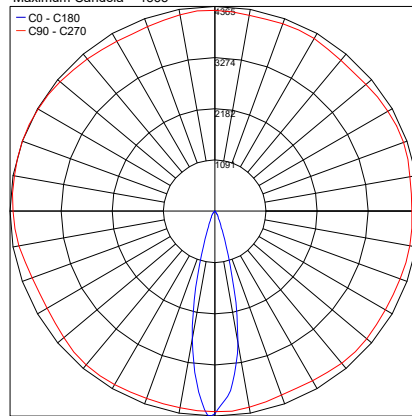
### TUBE PRO 1

Maximum Candela = 2063.5



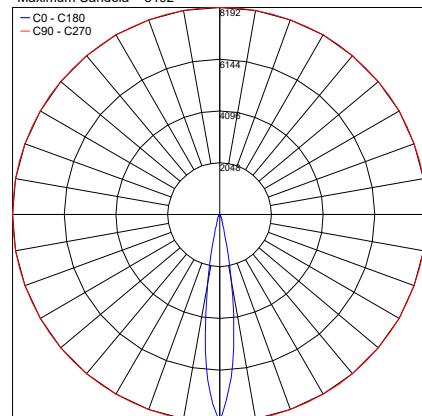
PHOTOMETRIC FILENAME : TUBE PRO 2 H300 FL (40°) 30K LM03.104253.01.FL.XX.IES

Maximum Candela = 4365



PHOTOMETRIC FILENAME : TUBE PRO 2 H300 MD (25°) 30K LM03.104253.01.MD.XX.IES

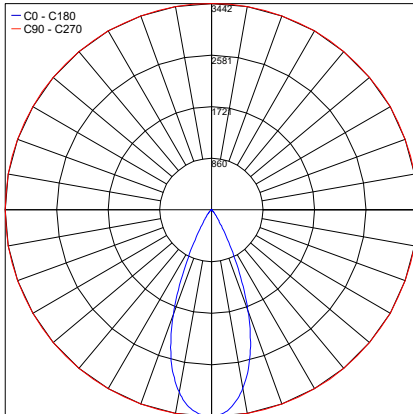
Maximum Candela = 8192



PHOTOMETRIC FILENAME : TUBE PRO 2 H300 SP (12°) 30K LM03.104253.01.SP.XX.IES

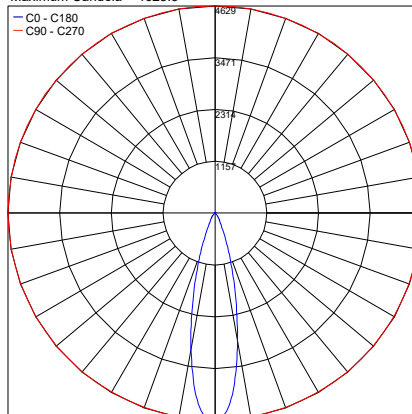
### TUBE PRO 2

Maximum Candela = 3441.9



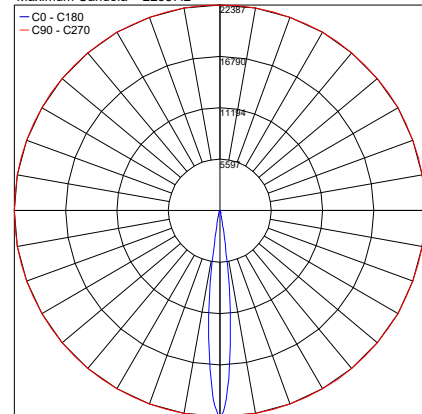
PHOTOMETRIC FILENAME : TUBE PRO 3 H300 FL 30K LM03.104256.01.FL.XX.IES

Maximum Candela = 4628.5



PHOTOMETRIC FILENAME : TUBE PRO 3 H300 MD 30K LM03.104256.01.MD.XX.IES

Maximum Candela = 22387.2



PHOTOMETRIC FILENAME : TUBE PRO 3 H300 SP 30K LM03.104256.01.SP.XX.IES

### TUBE PRO 3

Job Name/Date:

Fixture Type Designation: