

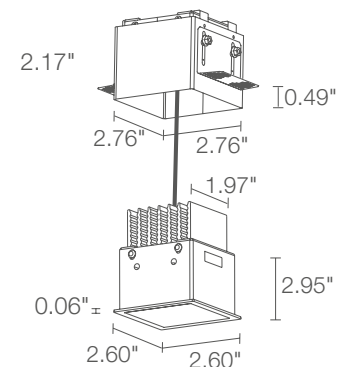
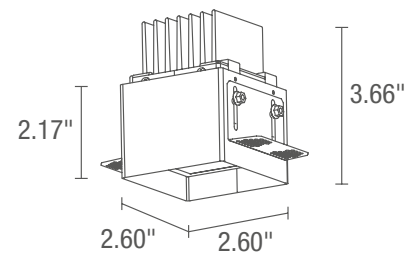
Turis is a family of recessed downlights perfect for general lighting. Featuring a simple, elegant square or round design, the Turis comes with diffuse optics that can be either flush or deep set.



TECHNICAL DATA

Wattage / Input	5.5W (500mA), 11W (350mA)
Power Supply	Remote, not included. See page 2.
Construction	Body: Black Anodized Aluminum EN AW 6082 Trim: Steel Lens: Plexiglass Frosted on One Side
CCT	2700K, 3000K, 4000K (RGB available on request)
CRI	>90
Delivered Lumens	295 lm (3000K, 5.5W) 1003 lm (3000K, 11W)
Efficacy	53.6 lm/W (3000K, 5.5W) 91.2 lm/W (3000K, 11W)
Optics	Diffuse
Finishes	White, Black, Gray
Fixture Dimensions	2.60" x 2.60" x 2.95" h
Cut-out Size	2.76" x 2.76"
Fixture Weight	0.73 lbs
LED Source	1 (5.5W), 4 (11W) Power LEDs
Lumen Maintenance	L80, B10 >50,000hrs (Ta 25°C)
Color Consistency	3-Step MacAdam
Operating Temp.	32°F to +113°F
IP Rating	IP40, IP44 Installed
IK Rating	-

Cut-Out Dimensions: 2.76" x 2.76"
Fixture Dimensions



OUTER CASING REQUIRED - Ordered Separately

ORDERING INFORMATION

Example: TU2011FDB. Accessories / Power Supplies ordered separately.

TU201			D	B
Model No.	Wattage	CCT	Optics	Finish
TU201	1 - 5.5W 0 - 11W	F - 2700K 5 - 3000K 9 - 4000K	D - Diffuse	B - White N - Black G - Gray

Job Name/Date:

Fixture Type Designation:

SUGGESTED POWER SUPPLIES

500mA/350mA

Part Number	Description	Input/Output	# of Fixtures	
			5.5W (500mA) / 11W (350mA)	
PPLT00497	Phase Dim (120V only)	120VAC to 500mA, 12W, Class 2	1-2	N/A
PPLT00496	Phase Dim (120V only)	120VAC to 350mA, 12W, Class 2	N/A	1-1
PPLT00465-P	0-10V Dimming to 1.0%	120-277VAC to 350-500mA, 20W, Class 2	1-3	1-1
PPLT00262	Leading / Trailing-Edge Dimming to 10% (120V only)	120-277VAC to 500mA, 32W, Class 2	4-5	N/A
PPLT00263	Leading / Trailing-Edge Dimming to 10% (120V only)	120-277VAC to 350mA, 32W, Class 2	N/A	1-1
PPLT00309-P	0-10V Dimming to 0.1%	120-277VAC to 350-500mA, 50W, Class 2	1-7	1-2
PPLT00538-P	0-10V Dimming to 0.1%	120-277VAC to 350-500mA, 100W, Class 2	1-16	1-8

Suggested Lutron Compatible - 500mA

Part Number	Option	Lutron SKU	Dim Range	Description	Input/Output	# of Fixtures
PPLT00195	L3DAE / L3DA3W	L3DA	100%-1%	Hi-Lume™ 1% EcoSystem™ or 1% 3-Wire LED Driver	120-277VAC to 500mA, 19W, Class 2	3-3

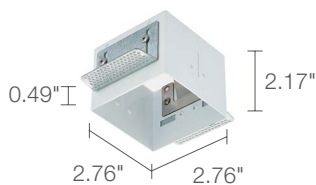
Suggested Lutron Compatible - 350mA

Part Number	Option	Lutron SKU	Dim Range	Description	Input/Output	# of Fixtures
PPLT00516	L3DAE / L3DA3W	L3DA	100%-1%	Hi-Lume™ 1% EcoSystem™ or 1% 3-Wire LED Driver	120-277VAC to 350mA, 13W, Class 2	1-1

For other power supply options consult factory.

ACCESSORIES

Installation



WC3101

Outer Casing

Required for plasterboard

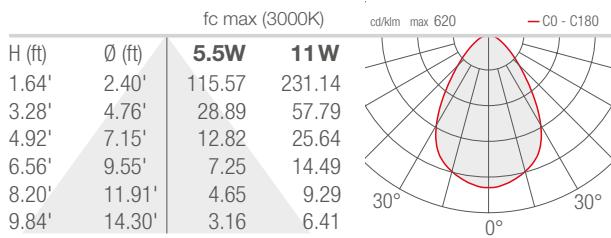
Job Name/Date:

Fixture Type Designation:

PHOTOMETRIC DATA

Note all Photometry is 3000K

D - Diffuse



Job Name/Date:

Fixture Type Designation: