

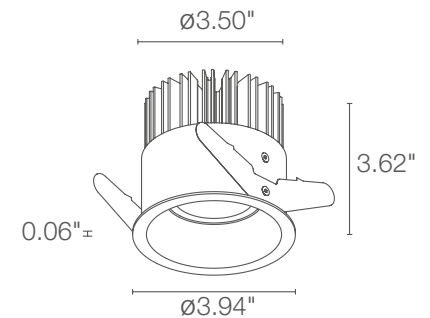
Turis is a family of recessed downlights perfect for general lighting. Featuring a simple, elegant square or round design, the Turis comes with diffuse optics that can be either flush or deep set.



TECHNICAL DATA

Wattage / Input	11W, 15W (350mA)
Power Supply	Remote, not included. See page 2.
Construction	Body: Black Anodized Aluminum EN AW 6082 Trim: Steel Lens: Plexiglass Frosted on One Side
CCT	2700K, 3000K, 4000K
CRI	>90
Delivered Lumens	784 lm (3000K, 11W) 1160 lm (3000K, 15W)
Efficacy	71.3 lm/W (3000K, 11W) 73.3 lm/W (3000K, 15W)
Optics	Diffuse
Finishes	White, Black, Gray, Custom RAL
Fixture Dimensions	Ø3.94" x 3.62" h
Cut-out Size	Ø3.54"
Fixture Weight	1.48 lbs
LED Source	4 (11W), 6 (15W) Power LEDs
Lumen Maintenance	L80, B10 >50,000hrs (Ta 25°C)
Color Consistency	3-Step MacAdam
Operating Temp.	32°F to +113°F
IP Rating	IP40, IP44 Installed
IK Rating	-

Cut-Out Dimensions: Ø3.54"
Fixture Dimensions



ORDERING INFORMATION

Example: TU3311FDB. Accessories / Power Supplies ordered separately.

TU331			D	
Model No.	Wattage	CCT	Optics	Finish
TU331	1 - 11W 0 - 15W	F - 2700K 5 - 3000K 9 - 4000K	D - Diffuse	B - White N - Black G - Gray C - Custom RAL <i>(consult factory for "C")</i>

Job Name/Date:

Fixture Type Designation:

SUGGESTED POWER SUPPLIES

350mA

Part Number	Description	Input/Output	# of Fixtures	
			11W / 15W	
PPLT00496	Phase Dim (120V only)	120-277VAC to 350mA, 12W, Class 2	1-1	N/A
PPLT00465-P	0-10V Dimming to 1.0%	120-277VAC to 350mA, 20W, Class 2	1-1	1-1
PPLT00263	Leading / Trailing-Edge Dimming to 10% (120V only)	120-277VAC to 350mA, 32W, Class 2	1-1	1-1
PPLT00309-P	0-10V Dimming to 0.1%	120-277VAC to 350mA, 50W, Class 2	1-2	1-1
PPLT00538-P	0-10V Dimming to 0.1%	120-277VAC to 350mA, 100W, Class 2	1-8	1-4

Suggested Lutron Compatible - 11W

Part Number	Option	Lutron SKU	Dim Range	Description	Input/Output	# of Fixtures
PPLT00516	L3DAE / L3DA3W	L3DA	100%-1%	Hi-Lume™ 1% EcoSystem™ or 1% 3-Wire LED Driver	120-277VAC to 350mA, 13W, Class 2	1-1

Suggested Lutron Compatible - 15W

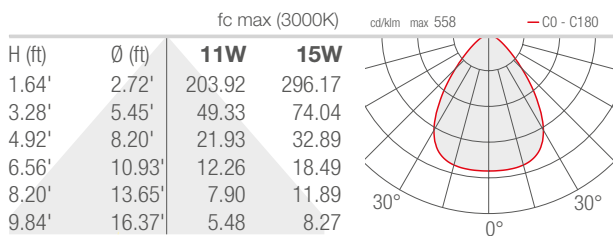
Part Number	Option	Lutron SKU	Dim Range	Description	Input/Output	# of Fixtures
PPLT00179	L3DAE / L3DA3W	L3DA	100%-1%	Hi-Lume™ 1% EcoSystem™ or 1% 3-Wire LED Driver	120-277VAC to 350mA, 19W, Class 2	1-1

For other power supply options consult factory.

PHOTOMETRIC DATA

Note all Photometry is 3000K

D - Diffuse



Job Name/Date:

Fixture Type Designation: