

UPDOWN 3.0

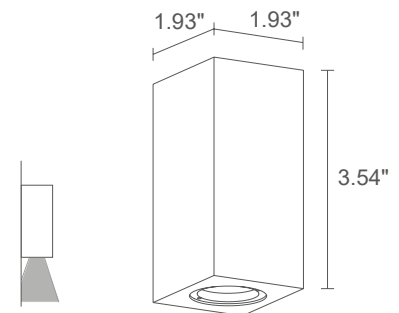
The Updown series is an outdoor wall-mounted fixture with a minimalist design. It is available in white, blue or RGB light with up or down optics options and 4 standard finishes.



TECHNICAL DATA

Wattage / Input	6W (500mA), 3W RGB (350mA)
Power Supply	Remote, not included. See page 2.
Construction	Body: Aluminum Lens: Transparent Extra-Clear Glass
CCT	2700K, 3000K, 4000K, 5000K, Blue, RGB
CRI	CRI >80
Delivered Lumens	239 lm (3000K, 500mA, 22°) RGB 114 lm: (R) 42 lm, (G) 54 lm, (B) 18 lm (350mA, 22°)
Efficacy	40 lm/W (3000K, 500mA, 22°) 38 lm/W (RGB)
Optics	15°, 22°, 54°
Finish	4 Standard, See Below
Fixture Dimensions	1.93" x 1.93" x 3.54"
Fixture Weight	0.75 lbs.
LED Source	3 Power LEDs
Lumen Maintenance	L90, B10>50,000hrs
Color Consistency	1/4 ANSI BIN
Operating Temp.	-4°F to +113°F
IP Rating	IP65
Impact Rating	—

Fixture Dimensions



ORDERING INFORMATION

Example: UD30325MT. Accessories / Power Supplies ordered separately.

<input type="text"/>	<input type="text"/>	<input type="text"/>	<input type="text"/>
Model No.	CCT	Optics	Finish
UD3032 (Static White)	F - 2700K 5 - 3000K 9 - 4000K 0 - 5000K 1 - Blue	S - 15° M - 22° L - 54°	E - White A - Anodized Aluminum H - Anthracite T - Cor-ten
Model No.			
UD3031 (RGB)	6 - RGB		

Job Name/Date:

Fixture Type Designation:

SUGGESTED POWER SUPPLIES

500mA

Part Number	Description	Input/Output	# of Fixtures
PPLT00154	0-10V Dimming to 10%	120-277VAC to 500mA, 12W, Class 2	2-2
PPLT00465-P	0-10V Dimming to 1.0%	120-277VAC to 500mA, 20W, Class 2	1-3
PPLT00309-P	0-10V Dimming to 0.1%	120-277VAC to 500mA, 50W, Class 2	1-5
PPLT00538-P	0-10V Dimming to 0.1%	120-277VAC to 500mA, 100W, Class 2	1-16

Suggested Lutron Compatible

Part Number	Option	Lutron SKU	Dim Range	Description	Input/Output	# of Fixtures
PPLT00195	L3DAE / L3DA3W	L3DA	100%-1%	Hi-Lume™ 1% EcoSystem™ or 1% 3-Wire LED Driver	120-277VAC to 500mA , 19W, Class 2	3-3

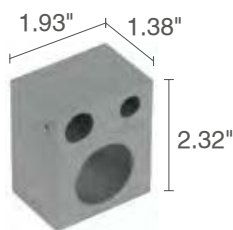
RGB - 350mA

Part Number	Description	Input/Output	# of Fixtures
PPLT00244-P	DMX/RDM (Must advise DMX addresses if not using RDM)	120-277VAC to 24VDC, 50W, Class 2	1 - 12
PPLT00129-P	DMX/RDM (Field Addressable)	120-277VAC to 24VDC, 100W, Class 2	1-14

For other power supply options consult factory.

ACCESSORIES

Installation



- WD0103** - White
- WD0100** - Anodized aluminum
- WD0104** - Anthracite
- WD0102** - Cor-ten
- Spacer

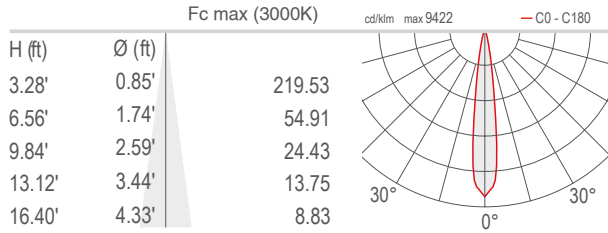
Job Name/Date:

Fixture Type Designation:

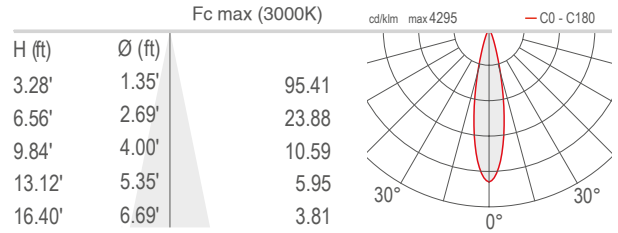
PHOTOMETRIC DATA

Note all Photometry is 3000K

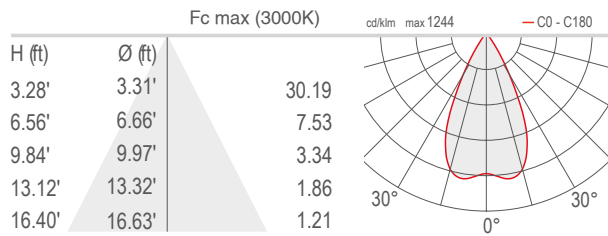
S - 15°



M - 22°



L - 54°



Job Name/Date:

Fixture Type Designation: