

UPDOWN 4.0

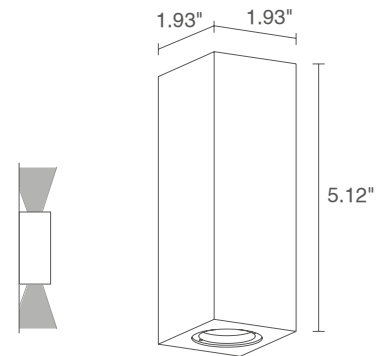
The Updown 4 series is an outdoor wall-mounted fixture with a minimalist design and double beam. It is available in white, blue or RGB light with up or down optics options and 4 standard finishes.



TECHNICAL DATA

Wattage / Input	6W (350mA)
Power Supply	Remote, not included. See page 2.
Construction	Body: Aluminum Lens: Transparent Extra-Clear Glass
CCT	2700K, 3000K, 4000K, 5000K, Blue, RGB
CRI	CRI >80
Delivered Lumens	182 lm (3000K, 350mA, 22°) per beam RGB: 114 lm (R) 42 lm, (G) 54 lm, (B) 18 lm (350mA, 22°) per beam
Efficacy	30 lm/W (3000K, 22°) RGB: 19 lm/W (22°)
Optics	Up and Down optics available. See below.
Finish	4 Standard. See below.
Fixture Dimensions	1.93" x 1.93" x 5.12"
Fixture Weight	1.54 lbs.
LED Source	6 (3+3) Power LEDs
Lumen Maintenance	L90, B10>50,000hrs
Color Consistency	1/4 ANSI BIN
Operating Temp.	-4°F to +113°F
IP Rating	IP65
Impact Rating	—

Fixture Dimensions



ORDERING INFORMATION

Example: UD40615MLT. Accessories / Power Supplies ordered separately.

UD4061				
Model No.	CCT	UP Optics	DOWN Optics	Finish
UD4061	F - 2700K 5 - 3000K 9 - 4000K 0 - 5000K 1 - Blue 6 - RGB	S - 15° M - 22° L - 54°	S - 15° M - 22° L - 54°	E - White A - Anodized Aluminum H - Anthracite T - Cor-ten

Job Name/Date:

Fixture Type Designation:

SUGGESTED POWER SUPPLIES

350mA

Part Number	Description	Input/Output	# of Fixtures
PPLT00465-P	0-10V Dimming to 1.0%	120-277VAC to 350mA, 20W, Class 2	1-2
PPLT00308-P	0-10V Dimming to 0.1%	120-277VAC to 350mA, 30W, Class 2	1-2
PPLT00168-P	0-10V Dimming to 1.0%	120-277VAC to 350mA, 50W, Class 2	1-4
PPLT00538-P	0-10V Dimming to 0.1%	120-277VAC to 350mA, 100W, Class 2	1-8

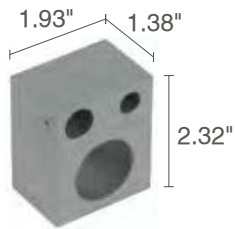
RGB - 350mA

Part Number	Description	Input/Output	# of Fixtures
PPLT00244-P	DMX/RDM (Must advise DMX addresses if not using RDM)	120-277VAC to 24VDC, 50W, Class 2	1 - 6
PPLT00129-P	DMX/RDM (Field Addressable)	120-277VAC to 24VDC, 100W, Class 2	1-7

For other power supply options consult factory.

ACCESSORIES

Installation



- WD0103** - White
- WD0100** - Anodized aluminum
- WD0104** - Anthracite
- WD0102** - Cor-ten
- Spacer

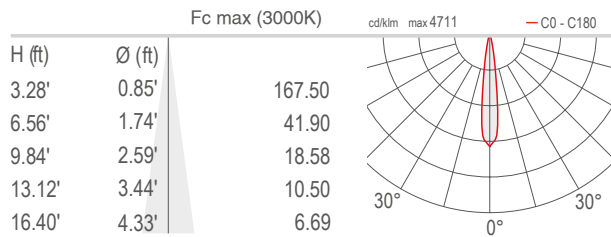
Job Name/Date:

Fixture Type Designation:

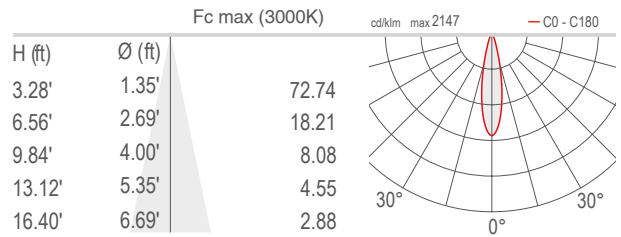
PHOTOMETRIC DATA

Note all Photometry is 3000K

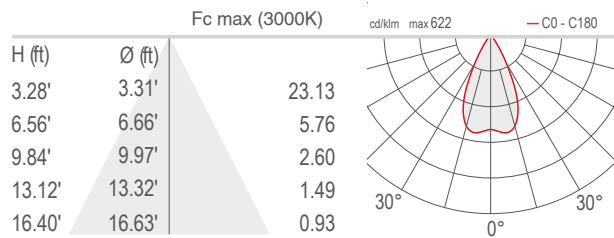
S - 15°



M - 22°



L - 54°



Job Name/Date:

Fixture Type Designation: