

UPDOWN 4.6

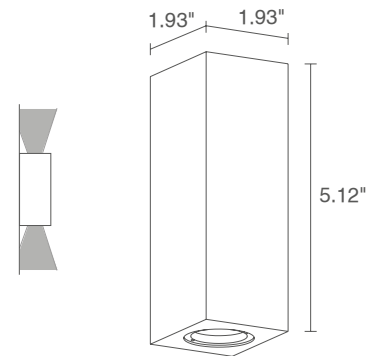
The Updown 4 series is an outdoor wall-mounted fixture with a minimalist design and double beam. It is available in white or blue light with up or down optics options and 4 standard finishes.



TECHNICAL DATA

Wattage / Input	6W (24VDC)
Power Supply	Remote, not included. See page 2.
Construction	Body: Aluminum Lens: Transparent Extra-Clear Glass
CCT	2700K, 3000K, 4000K, 5000K, Blue
CRI	CRI >80
Delivered Lumens	182 lm (3000K, 22°) per beam
Efficacy	30 lm/W (3000K, 22°)
Optics	Up and Down optics available. See below.
Finish	4 Standard. See below.
Fixture Dimensions	1.93" x 1.93" x 5.12"
Fixture Weight	1.54 lbs.
LED Source	6 (3+3) Power LEDs
Lumen Maintenance	L90, B10>50,000hrs
Color Consistency	1/4 ANSI BIN
Operating Temp.	-4°F to +113°F
IP Rating	IP65
Impact Rating	—

Fixture Dimensions



ORDERING INFORMATION

Example: UD46005MLT. Accessories / Power Supplies ordered separately.

UD4600				
Model No.	CCT	UP Optics	DOWN Optics	Finish
UD4600	F - 2700K 5 - 3000K 9 - 4000K 0 - 5000K 1 - Blue	S - 15° M - 22° L - 54°	S - 15° M - 22° L - 54°	E - White A - Anodized Aluminum H - Anthracite T - Cor-ten

Job Name/Date:

Fixture Type Designation:

SUGGESTED POWER SUPPLIES

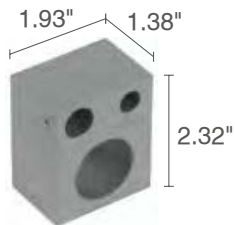
24VDC

Part Number	Description	Input/Output	# of Fixtures
PPLT00149	Non-Dim	120VAC to 24VDC, 10W, Class 2, IP65	1-1
PPLT00632	0-10V Dimming (Dim to Off)	120-277VAC to 24VDC, 12W, Class 2	1-1
PPLT00481	Non-Dim	120-277VAC to 24VDC, 24W, Class 2	1-3
PPLT00157	Non-Dim	120VAC to 24VDC, 60W, Class 2	1-8
PPLT00599	ELV / TRIAC & 0-10V Dimming (100-0%)	120-277VAC to 24VDC, 96W, Class 2	1-12
PPLT00543	0-10V Dimming to 15% (-40°C / -40°F cold weather start)	120-277VAC to 24VDC, 100W, Class 2	2-13

For other power supply options consult factory.

ACCESSORIES

Installation



- WD0103** - White
- WD0100** - Anodized aluminum
- WD0104** - Anthracite
- WD0102** - Cor-ten
- Spacer

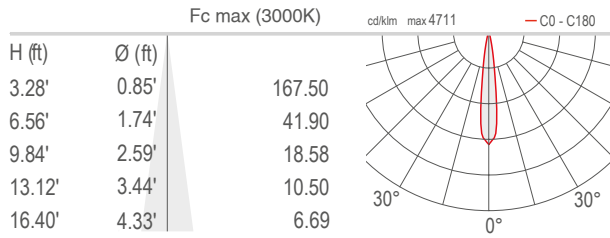
Job Name/Date:

Fixture Type Designation:

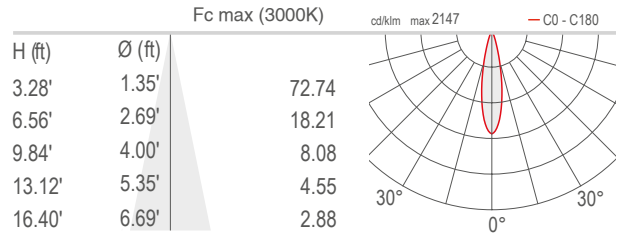
PHOTOMETRIC DATA

Note all Photometry is 3000K

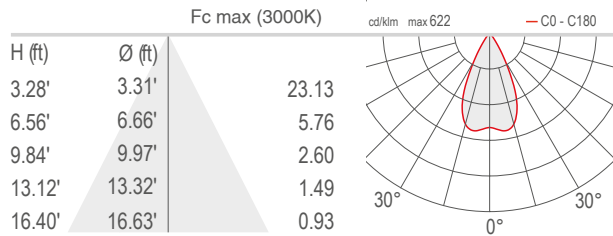
S - 15°



M - 22°



L - 54°



Job Name/Date:

Fixture Type Designation: