

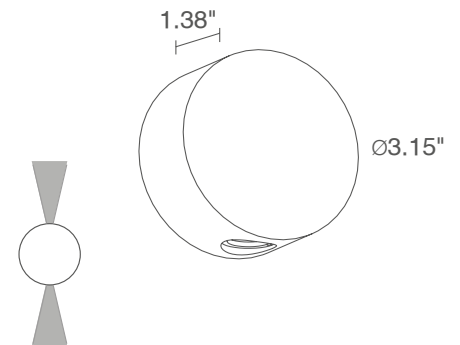
The Updown 6 is an outdoor wall-mounted fixture with a minimalist circular design. It is available in white or blue light with up or down optics options and 4 standard finishes.



TECHNICAL DATA

Wattage / Input	4W (500mA)
Power Supply	Remote, not included. See page 2.
Construction	Body: Aluminum Lens: Tempered, Transparent Glass
CCT	2700K, 3000K, 4000K, 5000K, Blue
CRI	CRI >80
BUG Rating	B0-U2-G1 (3000K)
Delivered Lumens	103 lm (3000K, 500mA, 20°) per beam
Efficacy	25.75 lm/W (3000K, 500mA, 22°) per beam
Optics	Up and Down optics available. See below.
Finish	4 Standard, See Below
Fixture Dimensions	Ø3.15" x 1.38"
Fixture Weight	0.93 lbs
LED Source	2 Power LEDs
Lumen Maintenance	L90, B10>50,000hrs
Color Consistency	1/4 ANSI BIN
Operating Temp.	-4°F to +113°F
IP Rating	IP65
Impact Rating	—

Fixture Dimensions



ORDERING INFORMATION

Example: UD60225MST. Accessories / Power Supplies ordered separately.

UD6022				
Model No.	CCT	UP Optics	DOWN Optics	Finish
UD6022	F - 2700K 5 - 3000K 9 - 4000K 0 - 5000K 1 - Blue	S - 10° M - 20° L - 40°	S - 10° M - 20° L - 40°	E - White A - Anodized Aluminum H - Anthracite T - Cor-ten

Job Name/Date:

Fixture Type Designation:

SUGGESTED POWER SUPPLIES

500mA

Part Number	Description	Input/Output	# of Fixtures
PPLT00154	0-10V Dimming to 10%	120-277VAC to 500mA, 12W, Class 2	3-3
PPLT00465-P	0-10V Dimming to 1.0%	120-277VAC to 500mA, 20W, Class 2	1-5
PPLT00309-P	0-10V Dimming to 0.1%	120-277VAC to 500mA, 50W, Class 2	1-8
PPLT00538-P	0-10V Dimming to 0.1%	120-277VAC to 500mA, 100W, Class 2	1-24

Suggested Lutron Compatible

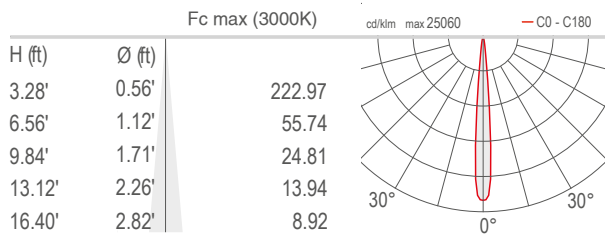
Part Number	Option	Lutron SKU	Dim Range	Description	Input/Output	# of Fixtures
PPLT00259	L3DAE / L3DA3W	L3DA	100%-1%	Hi-Lume™ 1% EcoSystem™ or 1% 3-Wire LED Driver	120-277VAC to 500mA, 10W, Class 2	2-2
PPLT00195	L3DAE / L3DA3W	L3DA	100%-1%	Hi-Lume™ 1% EcoSystem™ or 1% 3-Wire LED Driver	120-277VAC to 500mA, 19W, Class 2	4-4

For other power supply options consult factory.

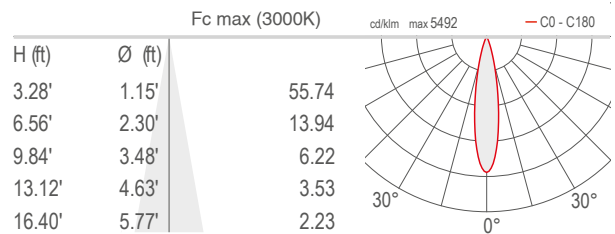
PHOTOMETRIC DATA

Note all Photometry is 3000K

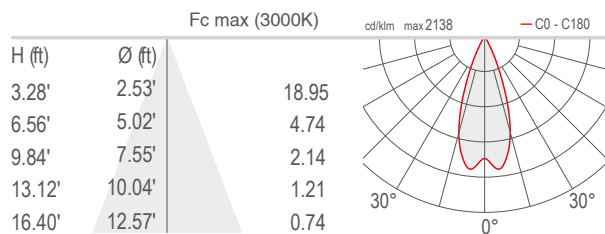
S - 10°



M - 20°



L - 40°



Job Name/Date:

Fixture Type Designation: