

Dotz Ursa Major is a sleek 1.9" round wet label LED downlight with on board 0-10V dimming which can be installed recessed with 3 springs or panel mounted with 1.0" conduit nut on the threaded part of the body. It comes with frosted solid Acrylume™ acrylic trim.



MADE IN THE USA
 Complies with LM79 and LM80
 Complies with ARRA

Fixture Dimensions
 See Drawing on page 2.

TECHNICAL DATA

Wattage / Input	1W, 3W (24VDC)
Power Supply	Remote, not included. See page 2.
Construction	Body: Die Cast Aluminum Lens: 3/16" Tempered Glass Cable Length: 2.0'
CCT	3000K, 4000K, 5000K (Static color on request)
CRI	>80
Delivered Lumens	192 lm (3W, 3000K)
Efficacy	64 lm/W (3W, 5000K)
Optics	None
Finishes	Frosted Acrylic (Acrylume™)
LED Source	3W CREE LED
Fixture Dimensions	Ø1.89" x 4.56" l
Body	Ø1.16"
Cut-out Dimension	Ø1.25"
IP Rating	IP65, Weatherproof Gland

ORDERING INFORMATION

Example: URA-3-30-0-0-FA. Power Supplies ordered separately.

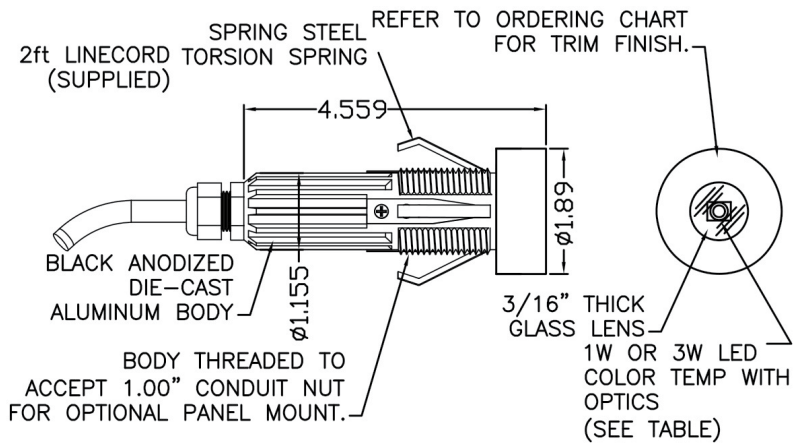
URA	-		-		-	0	-	0	-	FA
-----	---	--	---	--	---	---	---	---	---	----

Model No.	Wattage	CCT	Lens	Optics	Finish
URA - Ursa Major	1 - 1W 3 - 3W	30 - 3000K 40 - 4000K 50 - 5000K <i>Note: Static Red, Green, Blue, Amber on request.</i>	0 - None	0 - None	FA - Frosted Acrylic

Job Name/Date:

Fixture Type Designation:

FIXTURE DIMENSIONS



SUGGESTED POWER SUPPLIES

24VDC

Part Number	Description	Input/Output	# of Fixtures	
			1W	3W
PPLT00128	Non-Dim	120VAC to 350mA, 6W, Class 2, IP65	1-4	1-1
PPLT00155	Non-Dim	120-277VAC to 350mA, 30W, Class 2	1-24	1-8
PPLT00157	Non-Dim	120-277VAC to 350mA, 60W, Class 2	1-48	1-16
PPLT00158	Non-Dim	120-277VAC to 350mA, 100W, Class 2	1-80	1-26

Suggested Lutron Compatible

Part Number	Option	Lutron SKU	Dim Range	Description	Input/Output	# of Fixtures	
						1W	3W
PPLT00530	L3DAE / L3DA3W	L3DA	100%-1%	Hi-Lume™ 1% EcoSystem™ or 1% 3-Wire LED Driver	120-277VAC to 24VDC, 96W, Class 2	1-76	1-25

For other power supply options consult factory.

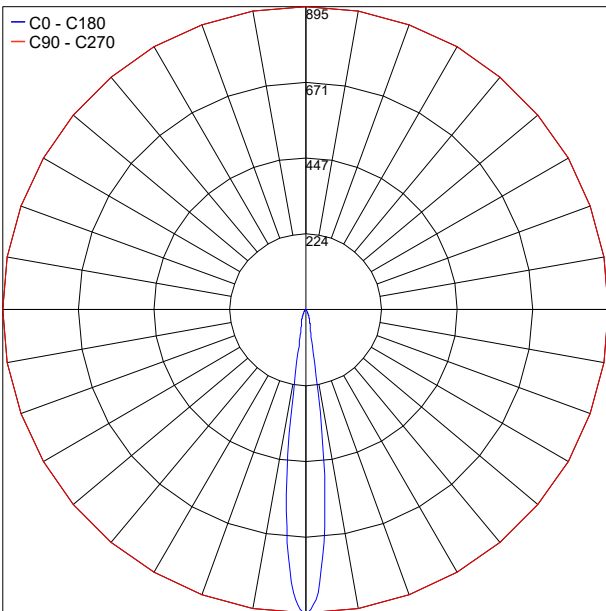
Job Name/Date:

Fixture Type Designation:

PHOTOMETRIC DATA

Dotz Round 3W 5000K Clear Lens - No Optic

Maximum Candela = 895



LTL TEST #21284

CIRCLE-OF-LIGHT

Ft below	FC nadir	Dia @ 50%
6.0	24.9	1.4
8.0	14.0	1.9
10.0	8.9	2.4
12.0	6.2	2.9
14.0	4.6	3.3
16.0	3.5	3.8

NOTE: 'Dia' spans the edge-points that are half of nadir FC

FILENAME : DOTZ 1X3W 5000K ROUND CLEAR LENS NARROW OPTIC LTL21284.IES

Job Name/Date:

Fixture Type Designation: