

DOTZ - URSA MINOR

Dotz Ursa Minor is a sleek 1.9" round wet label LED downlight with on board 0-10V dimming which can be installed recessed with 3 springs or panel mounted with 1.0" conduit nut on the threaded part of the body. It comes with frosted Acrylume™ acrylic trim with an opening in the middle.



MADE IN THE USA

Complies with LM79 and LM80
Complies with ARRA

Fixture Dimensions
See Drawing on page 2.

TECHNICAL DATA

Wattage / Input	1W, 3W (24VDC)
Power Supply	Remote, not included. See page 2.
Construction	Body: Die Cast Aluminum Lens: 3/16" Tempered Glass Cable Length: 2.0'
CCT	3000K, 4000K, 5000K (Static color on request)
CRI	>80
Delivered Lumens	192 lm (3W, 3000K)
Efficacy	64 lm/W
Optics	6°, 25°, 6°x25° (only available on Clear Lens)
Finishes	Frosted Acrylic (Acrylume™)
LED Source	3W CREE LED
Fixture Dimensions	Ø1.89" x 4.19" I
Body	Ø1.16"
Cut-out Dimension	Ø1.25"
IP Rating	IP65, Weatherproof Gland

ORDERING INFORMATION

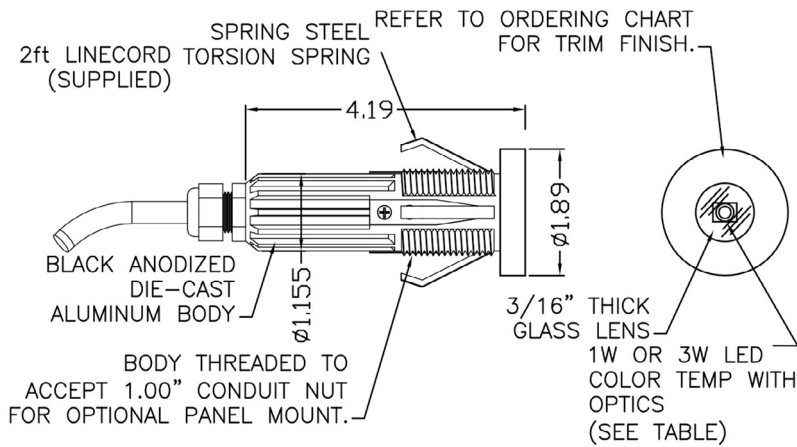
Example: URI-3-30-T-6-FA. Power Supplies ordered separately.

URI	-		-		-		-	F
Model No.	Wattage	CCT	Lens	Optics	Finish			
URI - Ursa Minor	1 - 1W 3 - 3W	30 - 3000K 40 - 4000K 50 - 5000K <i>Note: Static Red, Green, Blue, Amber on request.</i>	0 - None T - Clear Tempered Glass	0 - None 1 - 6° Spot 2 - 25° Medium 3 - 6°x25° Asymmetric <i>Note: Optics are for use with "T" Clear glass lens.</i>	FA - Frosted Acrylic			

Job Name/Date:

Fixture Type Designation:

FIXTURE DIMENSIONS



SUGGESTED POWER SUPPLIES

24VDC

Part Number	Description	Input/Output	# of Fixtures	
			1W	3W
PPLT00128	Non-Dim	120VAC to 350mA, 6W, Class 2, IP65	1-4	1-1
PPLT00155	Non-Dim	120-277VAC to 350mA, 30W, Class 2	1-24	1-8
PPLT00158	Non-Dim	120-277VAC to 350mA, 100W, Class 2	1-80	1-26

Suggested Lutron Compatible

Part Number	Option	Lutron SKU	Dim Range	Description	Input/Output	# of Fixtures	
						1W	3W
PPLT00530	L3DAE / L3DA3W	L3DA	100%-1%	Hi-Lume™ 1% EcoSystem™ or 1% 3-Wire LED Driver	120-277VAC to 24VDC, 96W, Class 2	1-76	1-25

For other power supply options consult factory.

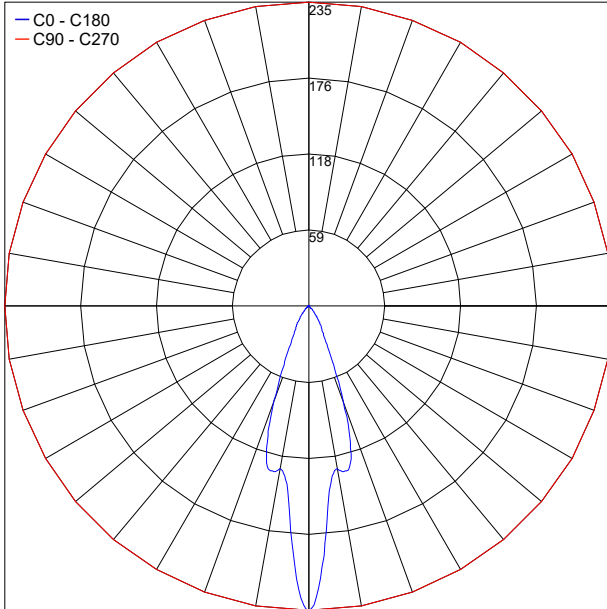
Job Name/Date:

Fixture Type Designation:

PHOTOMETRIC DATA

Dotz Round 3W 3000K Clear Lens - Medium Optic

Maximum Candela = 235



FILENAME : DOTZ 1X3W 3000K ROUND CLEAR LENS MEDIUM OPTIC LTL21264.IES

LTL TEST #21264

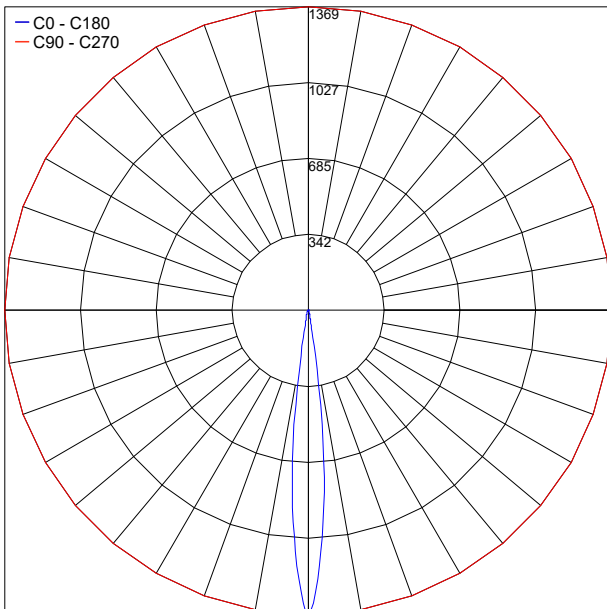
CIRCLE-OF-LIGHT

Ft below	FC nadir	Dia @ 50%
6.0	6.5	3.0
8.0	3.7	4.0
10.0	2.3	5.0
12.0	1.6	6.0
14.0	1.2	7.1
16.0	0.9	8.1

NOTE: 'Dia' spans the edge-points that are half of nadir FC

Dotz Round 3W 3000K Clear Lens - Narrow Optic

Maximum Candela = 1369



FILENAME : DOTZ 1X3W 3000K ROUND CLEAR LENS NARROW OPTIC LTL21260.IES

LTL TEST #21260

CIRCLE-OF-LIGHT

Ft below	FC nadir	Dia @ 50%
6.0	38.0	1.2
8.0	21.4	1.7
10.0	13.7	2.1
12.0	9.5	2.5
14.0	7.0	2.9
16.0	5.3	3.3

NOTE: 'Dia' spans the edge-points that are half of nadir FC

Job Name/Date:

Fixture Type Designation: