

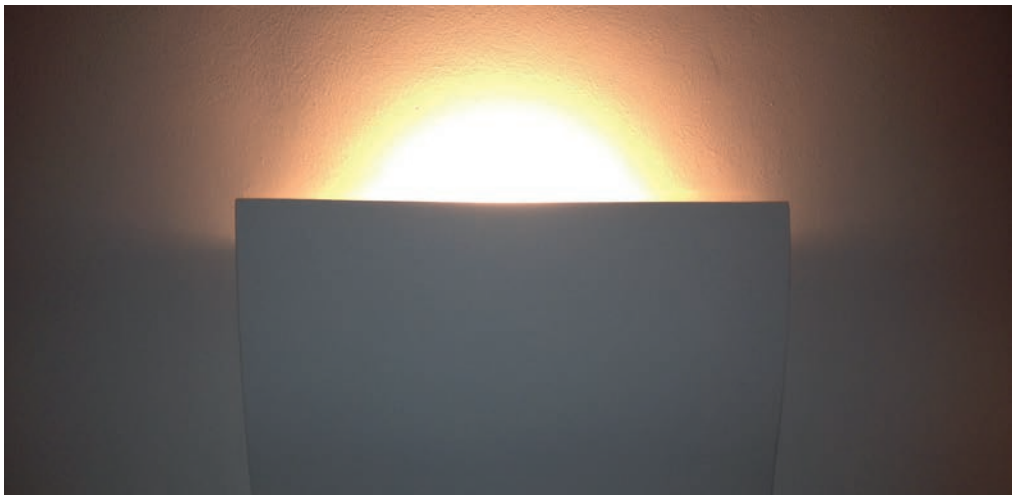


designplan™ 

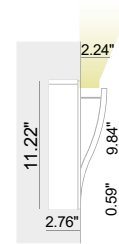
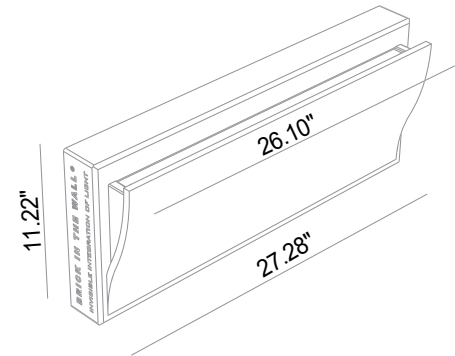
WALL



WAVE



Just like a single wave will dissolve in the endless ocean, the Wave wall light fixture will blend effortlessly with both traditional and contemporary interior designs. Offering comfortable indirect lighting, the luminaire is ideally used to illuminate circulation zones. In order to ensure installations that remain free of plaster cracks, the truly trimless and fully paintable fixture is made of CALCYT® plaster that shares the same thermal expansion characteristics as regular plaster or plaster-board. Wave never dominates your interior architecture, but takes a backseat approach, that allows you to combine the wall light with architectural chandeliers and other prominent design elements.



WAVE LED
2000 LM 350mA

REF N° 316 04 000 remote 2700°K

REF N° 316 04 100 remote 3000°K

350mA/50Hz - 15.9W - 2000 lm@149°F

2200 lm@77°F

IP20 - CRI 80 parallel wiring - \varnothing 0.2m - 1562°F

Remote Driver

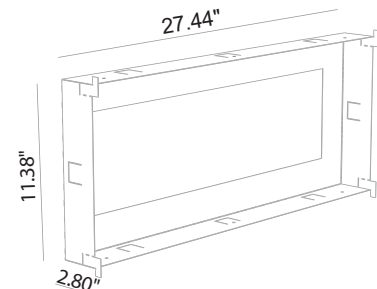
4 SDCM - 4 Step MacAdam

Ready for installation in solid walls
Optional plasterkit for installation into gypsum walls

PLASTERKIT WAVE

REF N° 716 01 000 For mounting into gypsum walls

 11.42" x 27.48"



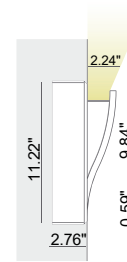
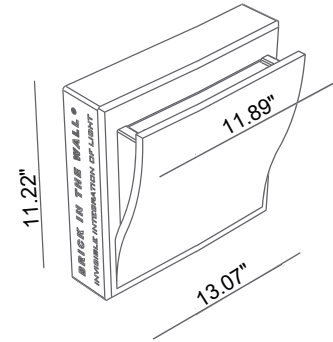


WAVE S LED
600LM 350mA

REF N° 320 29 000 Remote CRI 90 2700°K

REF N° 320 29 100 Remote CRI 90 3000°K

250mA/50Hz - 7W - Remote Driver
600lm@85°C - 700lm@25°C - **LF** - IP20
parallel wiring - C 0.2m - E - 850°C P Q
2 Step MacAdam

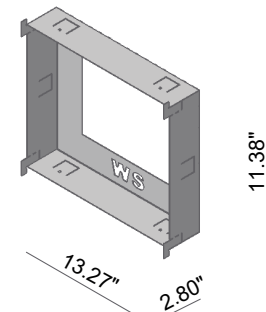


Ready for installation in solid walls
Optional plasterkit for installation into gypsum walls

PLASTERKIT WAVE

REF N° 720 01 000 For mounting into gypsum walls

 11.42"x13.43"



designplan 

79 Trenton Avenue
Frenchtown, NJ 08825

Tel: (908) 996-7710
Fax: (908) 996-7042

